

ASSEMBLY INSTRUCTIONS

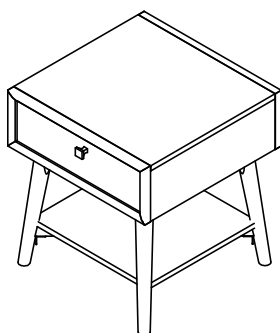
CAVS 7145-2 END TABLE

SKU# 23071450

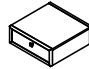
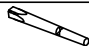
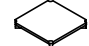
This product is manufactured by CAVS for ROOMS TO GO®

Caution: Please read instructions thoroughly before unpacking assembly parts. Sharp, exposed staple tips can cause injury, therefore, for your protection, please remove any exposed staple used in packing.

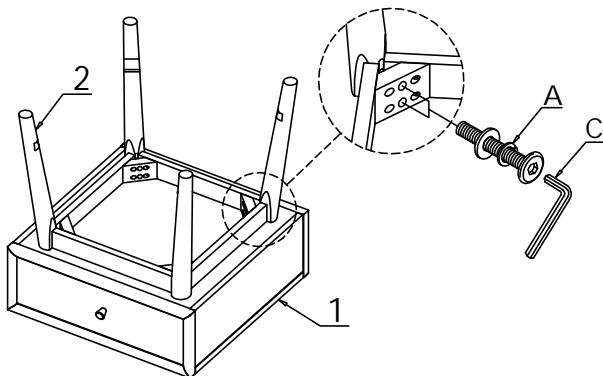
1. We recommend that you should assemble this product with the assistance of another person; this will make assembly easier, and will help to eliminate damage to the product or injury to persons during assembly.
2. Be sure to check all packing materials carefully for small parts that may have come loose inside the carton during shipment.
3. Please do not over tighten screws or bolts.
4. Please put all parts on a non-abrasive floor before assembly, and follow the assembly steps to assemble your newly purchased product correctly and efficiently.



HARDWARE LISTS			
NO.	OUTLOOK	SIZE	Q'TY
A		JCBC Bolt Ø5/16"×18"2-3/4"	8PCS
		Lock Washer Ø5/16"	8PCS
		Flat Washer Ø5/16" x 19 x 2mm	8PCS
B		Bolt Ø1/4"×20×5/8"	4PCS
C		Allen Key 4mm	1PC

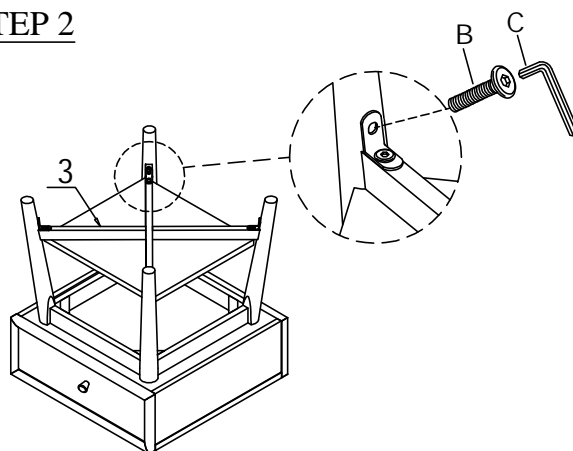
PART LISTS			
NO.	Sketch	Description	Q'TY
1		TABLE TOP	1PC
2		TABLE LEG	4PCS
3		SHELF	1PC

STEP 1



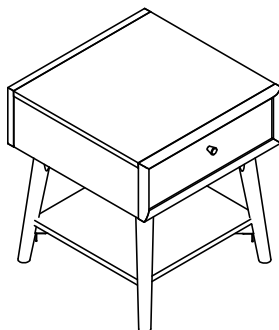
Note: do not tighten all the bolts and screws until the final assembling steps.

STEP 2



Note: Please follow the narrow stickers' direction to position the table top and the shelf. Tighten all bolts and screws. Assembly complete.

Completed



Hardware Pack Location (s):

END TABLE , SKU#23071450

Version#1 - 28/8/2023 created

Page#1