

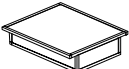
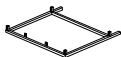

# Assembly Instructions

Item# DS-D153-214

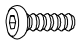



End Table

Thank you for purchasing this quality product. Be sure to check all packing material carefully for small parts that may have come loose inside the carton during shipment.

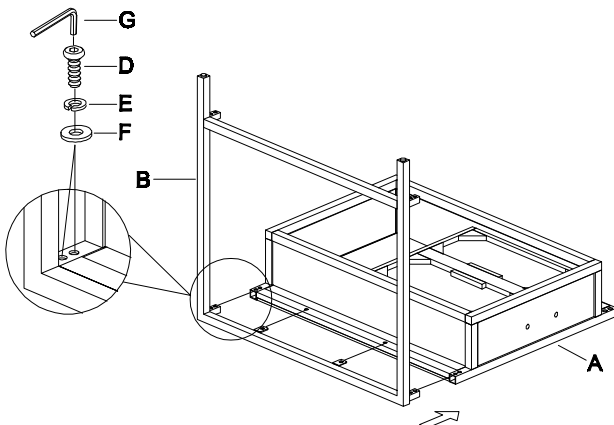
## Parts List

No.	Drawing	Description	Q'ty
A		Table Top	1pc
B		End Frame	2pcs
C		Shelf	1pc

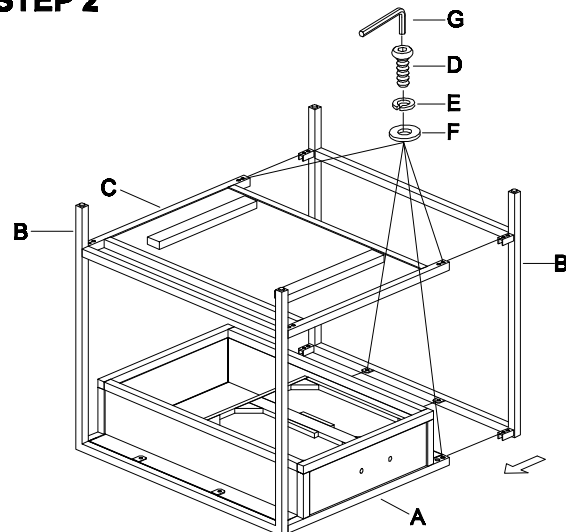
## Hardware List

No.	Drawing	Description	Size	Q'ty
D		Bolt	Ø1/4"*5/8"	20pcs
E		Lock Washer	Ø1/4"	20pcs
F		Flat Washer	Ø1/4" *16	20pcs
G		Allen Wrench	4mm	1pc

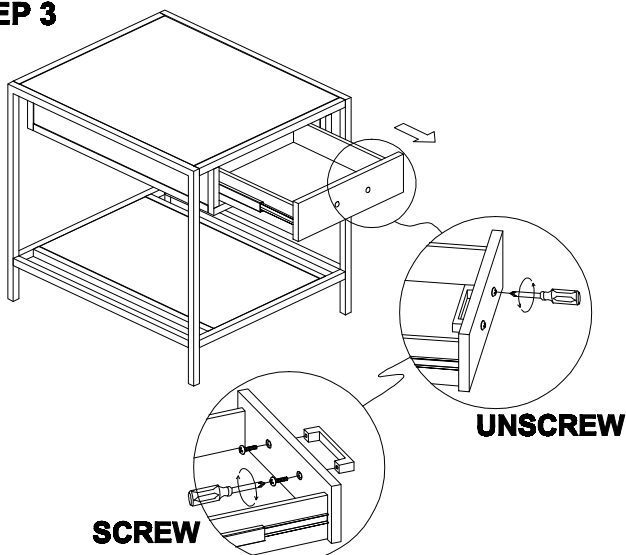
### STEP 1



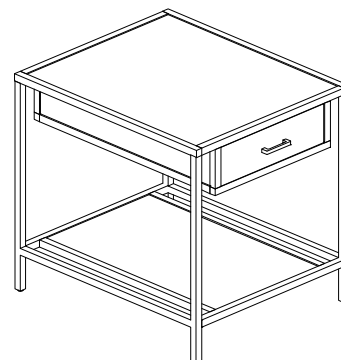
### STEP 2



### STEP 3



### STEP 4



MADE IN CHINA