



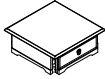


Assembly Instruction

RQUE 8128E END TBL

SKU#23081297

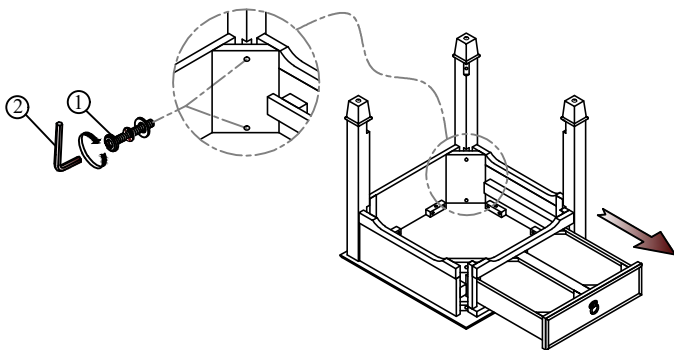
***Caution: Please read all instructions carefully before starting the assembly process. These parts are cumbersome and heavy. Therefore, two people are recommended in order to prevent personal injury and insure the parts are not damaged during the assembly.

Code	HARDWARE		QTY
1	Allen Bolt - Ø1/4x20x50mm		12 Pcs
	Lock Washer - Ø1/4		12 Pcs
	Flat Washer - Ø1/4x19x2mm		12 Pcs
2	Allen Key - 4mm		1 Pc

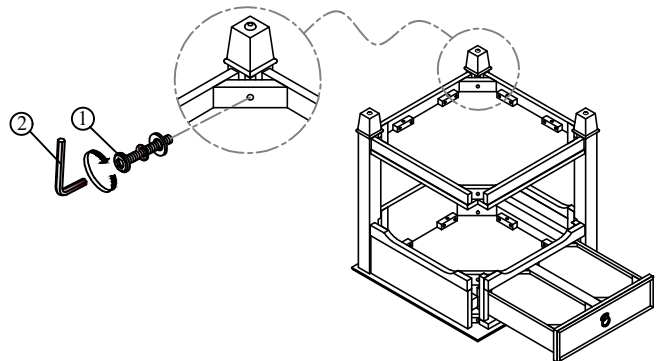
Code	PART LIST		QTY
A		Table Top	1 Pc
B		Table Bottom	1 Pc
C		Table Leg	4 Pcs

Note: Do not tighten all screws & bolts until the table is fully assembled.

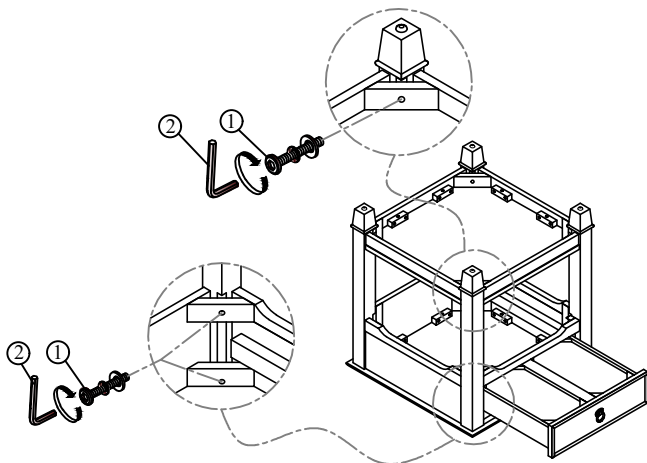
STEP 1: Attach 3 legs to the table top.



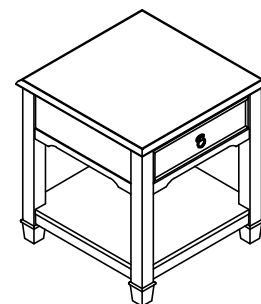
STEP 2: Attach the table bottom.



STEP 3: Attach 1 leg.



FINISH



This product is manufactured by RQUE for

ROOMS TO GO ▶

MADE IN VIETNAM

1 OF 1