






Assembly Instruction

USIL 9222-10 END TABLE

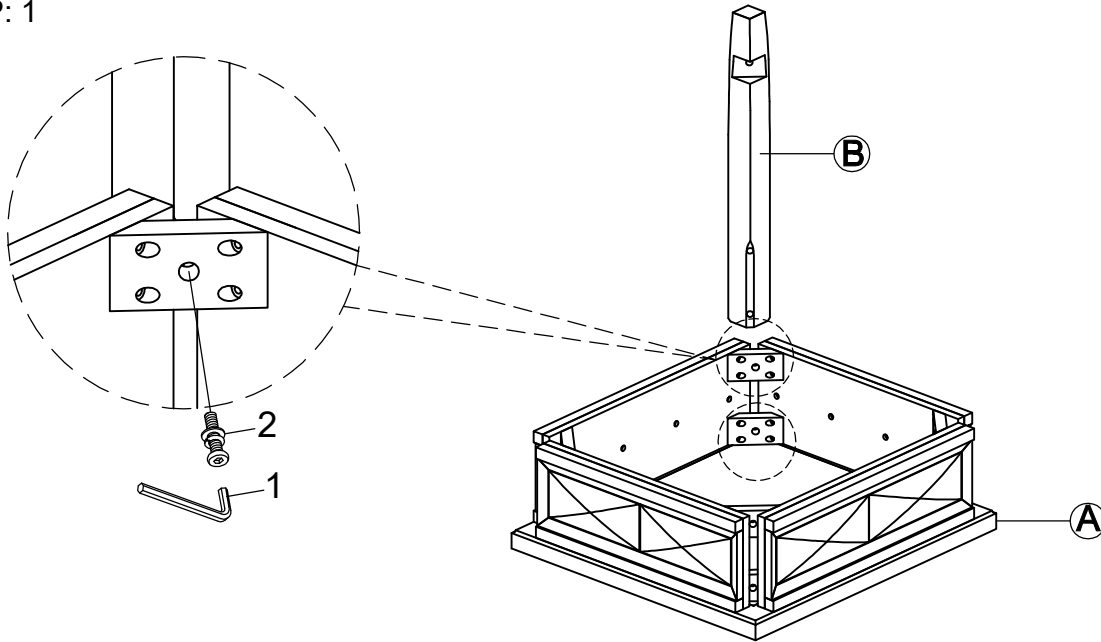
SKU#23092226

*****Caution: Please read all instructions carefully before starting the assembly process. These parts are cumbersome and heavy. Therefore, two people are recommended in order to prevent personal injury and ensure the parts are not damaged during the assembly.**

Code	Hardware		Q'TY
1	Allen Wrench 4 x 74 x 29mm		1PC
2	Bolt 5/16" x 2-3/4"		12pcs
	Spring Washer 5/16" x Ø11 x 2mmT		
	Flat Washer 5/16" x Ø16 x 2mmT		

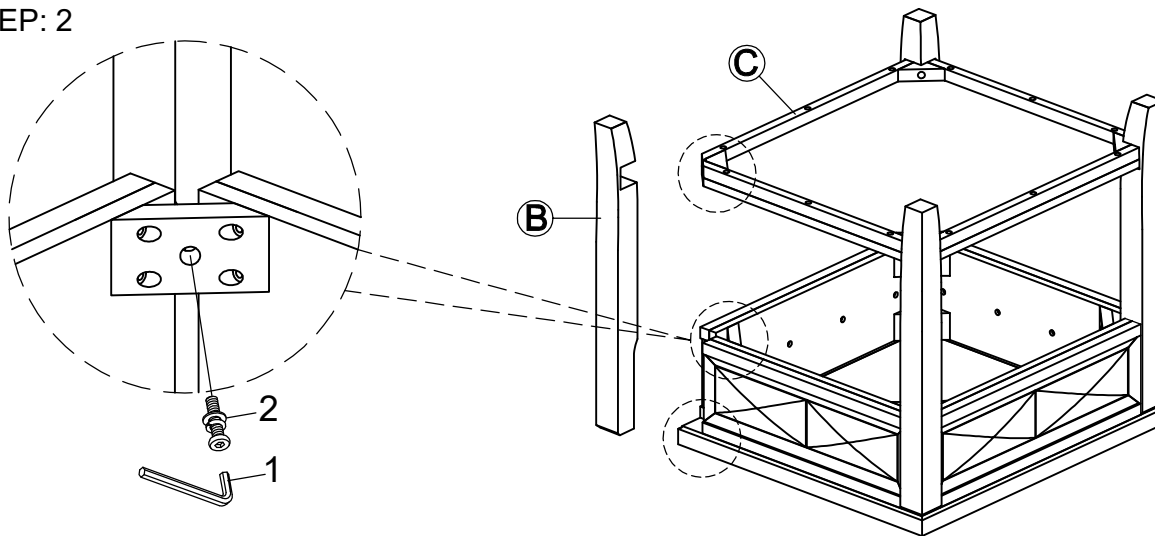
(A) Top-1pc	
(B) Leg-4pcs	
(C) Shelf-1pc	

STEP: 1



Caution : first step do not tigher the bolts, after turn up all the tables & put its on flat surface ,then can tighten all bolts by using Allen Key.

STEP: 2



This product is manufactured by USIL for

ROOMS TO GO ▶

MADE IN VIETNAM

1 OF 2

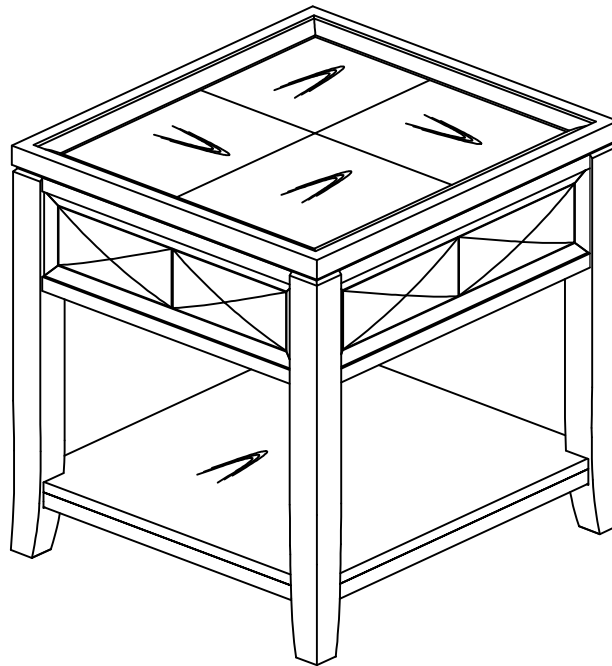
Assembly Instruction

USIL 9222-10 END TABLE

SKU#23092226

*****Caution:** Please read all instructions carefully before starting the assembly process. These parts are cumbersome and heavy. Therefore, two people are recommended in order to prevent personal injury and ensure the parts are not damaged during the assembly.

STEP: 3



This product is manufactured by USIL for

ROOMS TO GO ►

MADE IN VIETNAM

2 OF 2