

# ROOMS TO GO



Manufactured for Rooms to Go.




## Assembly Instructions

AUGR RTG1007-96 POWER CHAIRSIDE TABLE  
 AUGR RTG1008-96 POWER CHAIRSIDE TABLE

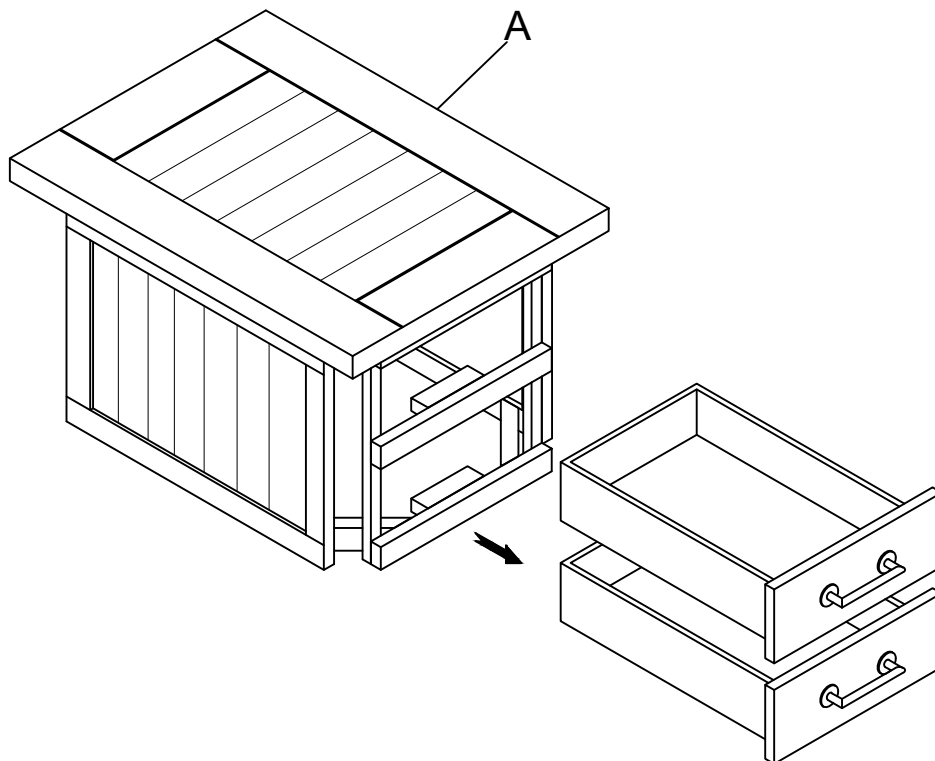
SKU# 23100720  
 SKU# 23100819

**\*\*\* Caution: Please read all instructions carefully before starting the assembly process. These parts are cumbersome and heavy. Therefore, two people are recommended in order to prevent personal injury and ensure the parts are not damaged during the assembly**

CODE	PARTS LIST		
A	Chairside Table		1pc
B	Leg		4pcs

CODE	HARDWARE LIST		
1		Bolt 5/16"*2-1/2"	8pcs
		Spring Washer 5/16"	8pcs
		Flat Washer 5/16"	8pcs
2		Allen Key 1-1/2"	1pc
<b>TOOLS REQUIRED ( NOT PROVIDED )</b>			
Phillips Screwdriver 			

### Step 1



#### Hardware Pack Location(s):

AUGR RTG1007-96 POWER CHAIRSIDE TABLE SKU# 23100720  
 AUGR RTG1008-96 POWER CHAIRSIDE TABLE SKU# 23100819

# ROOMS TO GO

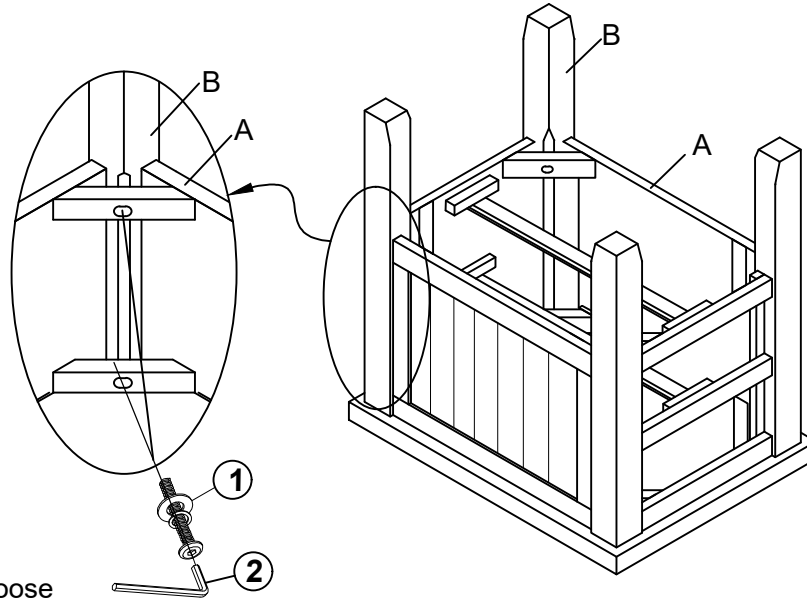
Manufactured for Rooms to Go.

## Assembly Instructions

AUGR RTG1007-96 POWER CHAIRSIDE TABLE  
AUGR RTG1008-96 POWER CHAIRSIDE TABLE

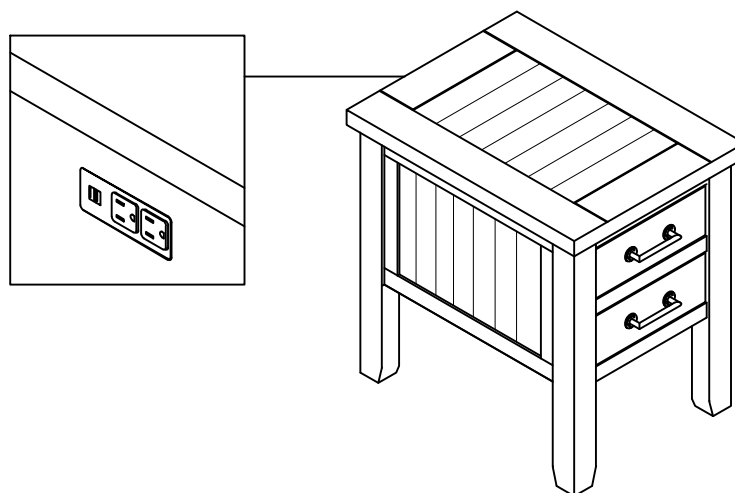
SKU# 23100720  
SKU# 23100819

### Step 2



Note:  
Please keep all legs loose  
during assembly and tighten  
once all legs are in place.

### COMPLETE



AUGR RTG1007-96 POWER CHAIRSIDE TABLE  
AUGR RTG1008-96 POWER CHAIRSIDE TABLE

SKU# 23100720  
SKU# 23100819

### IMPORTANT SAFETY INSTRUCTIONS



## WARNING

Misuse can result in FIRE or DEATH by ELECTRICAL SHOCK

ELECTRICAL RATING (125V AC / 15AMPERES)

IDEAL ENTERPRISE CO., LTD

PART NUMBER( IC303-01 )

Read all instructions before using this furnishing.

DANGER - To reduce the risk of electric shock:

- Always unplug this furnishing from the electrical outlet before cleaning or servicing.

WARNING - To reduce the risk of burns, fire, electric shock, or injury to persons:

- Unplug from outlet before putting on or taking off parts.
- Never operate this furnishing if it has a damaged electrical cord plug, if it is not working properly, or if the electrical cord or plug has been damaged or dropped into water. Stop using this furnishing and call a service center for examination and repair.
- Keep the electrical cord and plug away from heated surfaces and other heat sources.
- To disconnect, turn all controls to the off position, then remove plug from outlet.
- When operating, ensure that electrical cord is not under the base, legs, or motion mechanism to avoid damage to electrical cord or plug.
- Do not strain or stretch electrical cord.
- Do not use extension cords or power strips.
- Keep out of reach of children, This is not a toy.
- Plug directly into a compatible electrical socket.
- Do not modify the plug or use any adapters.

AUGR RTG1007-96 POWER CHAIRSIDE TABLE  
AUGR RTG1008-96 POWER CHAIRSIDE TABLE

SKU# 23100720  
SKU# 23100819

### INSTRUCCIONES DE SEGURIDAD IMPORANTES



## WARNING

El mal uso puede provocar INCENDIO o MUERTE por DESCARGA ELÉCTRICA

ELECTRICA RATING (125V AC / 15AMPERES)

IDEAL ENTERPRISE CO., LTD

PART NUMBER( IC303-01 )

Leer todas las instrucciones antes de usar este mobiliario.

PELIGRO Para reducir el riesgo de descarga electrica:

- Siempre desenchufe este accesorio de la toma de corriente eléctrica antes de limpiarlo o repararlo.

**ADVERTENCIA: para reducir el riesgo de quemaduras, incendios, descargas eléctricas o lesiones a personas:**

- Desenchufe del tomacorriente antes de colocar o quitar partes.
- Nunca opere este accesorio si tiene un cable o enchufe eléctrico dañado, si no funciona correctamente, o si el cable o el enchufe eléctrico se ha dañado o se ha caído al agua. Deje de usar este equipamiento y llame a un centro de servicio para que lo examinen y lo reparen.
- Mantenga el cable eléctrico y el enchufe lejos de superficies calientes y otras fuentes de calor.
- Para desconectar, gire todos los controles a la posición de apagado, luego retire el enchufe del tomacorriente.
- Al operar, asegúrese de que el cable eléctrico no esté debajo de la base, las patas o el mecanismo de movimiento para evitar dañar el cable eléctrico o el enchufe.
- No fuerce ni estire el cable eléctrico.
- No utilizar cables de extensión o tomas de corriente.
- Mantener fuera del alcance de los niños. Esto no es un juguete.
- Enchúfelo directamente a una toma de corriente compatible.
- No modifique el enchufe ni utilice adaptadores.