

ASSEMBLY INSTRUCTIONS

Description: Bordeaux End table

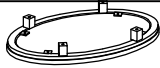

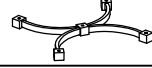

Important safety instructions:

- Please carefully read all instructions before assembling the table.
- For your safety and ease, assembly by two or more adults is recommended.
- Keep instructions for future use.

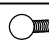
Pre-assembly:

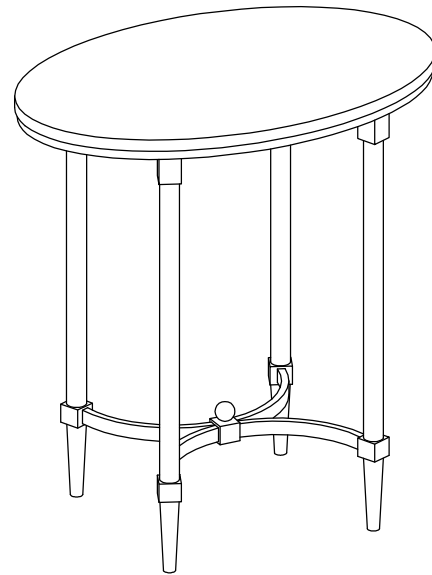
- Do not discard any contents until after assembly is complete to avoid accidentally discarding small parts or hardware.
- Remove all parts and hardware from box along with any plastic protective packaging.

Parts List

Item	Description	QTY
P1	Marble Top 	1
P2	Posts 	4
P3	Stretcher 	1
P4	Feet 	4

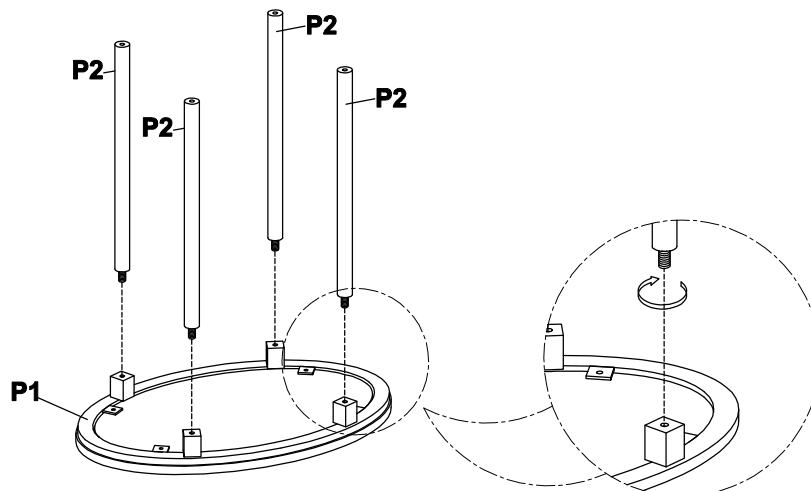
Hardware List

Item	Description	QTY
H1	Finial 	1

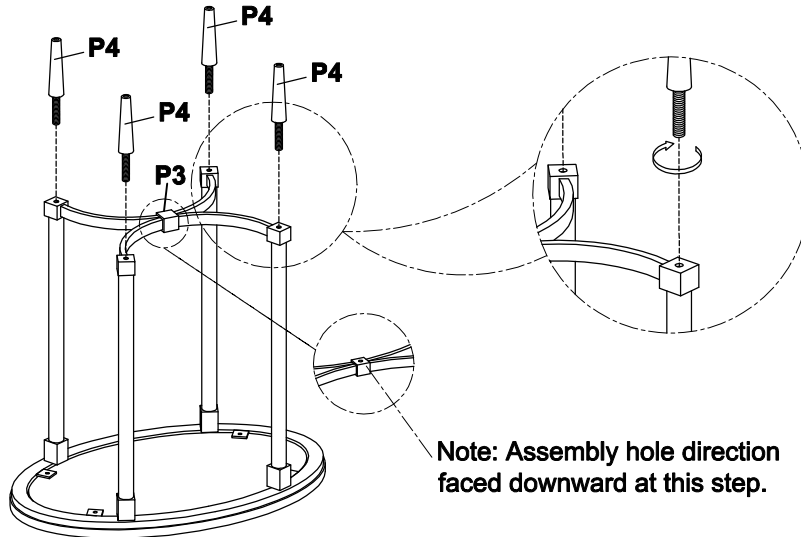


Assembly Procedures:

Step 1. Assemble the table on a flat, soft surface such as a carpet or cloth to prevent scratching the finish. Attach each post (P2) to the bottom of marble top (P1) as shown below. Securely tighten the posts (P2).



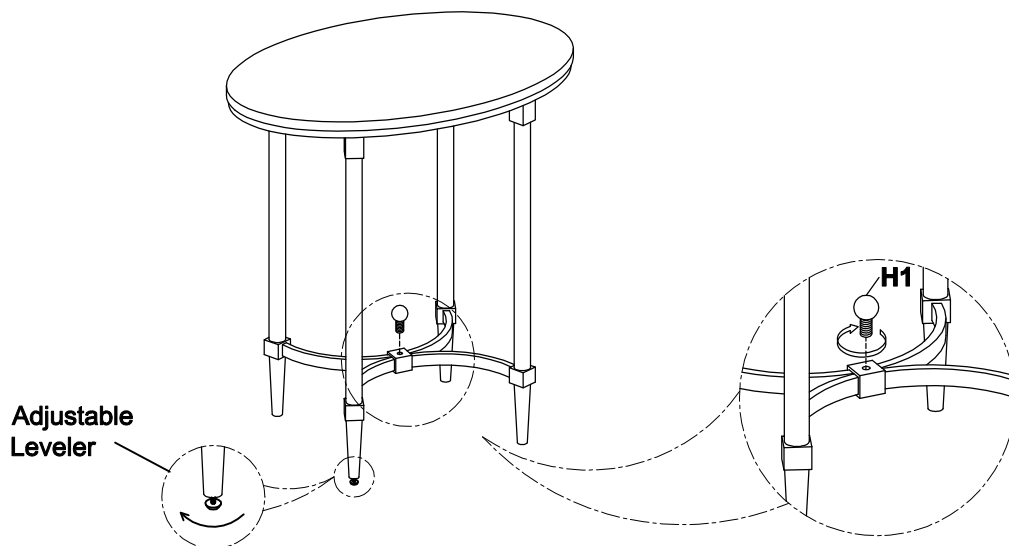
Step 2. Attach each foot (P4) to the post (P2) through the stretcher (P3) as shown below. Securely tighten the feet (P4).



Step 3.

- 1) Turn the assembled table to an upright position.
- 2) Securely tighten the finial (H1) to the stretcher (P3).
- 3) **Leveler adjustment:** Leveler are installed on the legs and adjust as needed to make sure the table is level. Assembly is complete.

(H1)x1 Metal Finial 



Caution: Failure to follow these instructions may cause the bolts to misalign during assembly.

ADDITIONAL NOTE ABOUT SAFETY: BOLTS MAY LOOSEN DURING NORMAL EVERYDAY USE. THEY SHOULD BE PERIODICALLY INSPECTED AND RE-TIGHTENED TO PREVENT DAMAGE OR INJURY. ALWAYS CHECK TO BE SURE THAT ALL HARDWARE IS KEPT TIGHTENED.

Thank you for your purchase