

# Assembly Instructions

VICE





N208-2 End Table

SKU





23112080

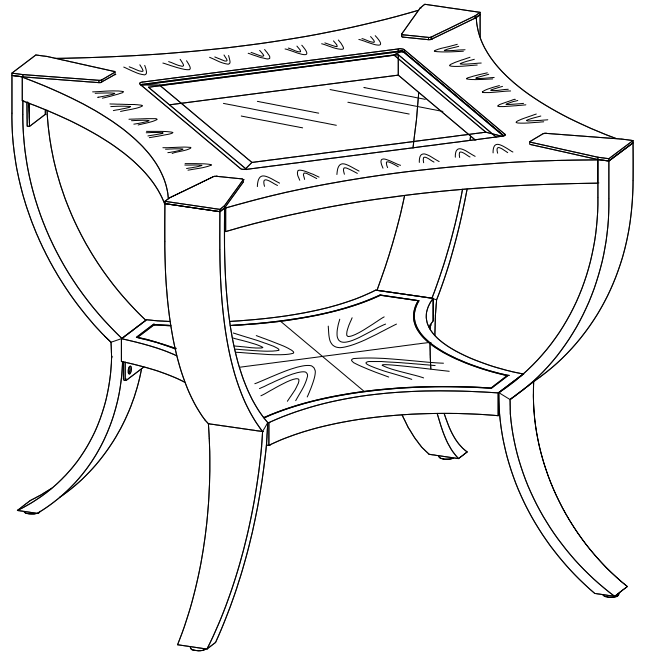
This product is manufactured by (VICE) for **ROOMS TO GO** 

## Hardware List

NO.		DESCRIPTION	Q'TY
1		Ø1/4"x20x3/4" L Allen Bolt	8PCS
		Ø16xØ8.5x1.5 Flat Washer	
2		Ø1/4"x20x5/8" L Allen Bolt	8PCS
3		Ø6x3H Suction Cup	4PCS
4		Allen Wrench(4mm)	1PC

## Part List

NO.	DESCRIPTION	SKETCH	Q' TY
A	Top Wood Frame		1PC
B	Shelf		1PC
C	Leg		4PCS
D	Glass		1PC



Hardware Pack Location(s):

N208-2 End Table,SKU# 23112080

# Assembly Instructions

VICE

N208-2 End Table

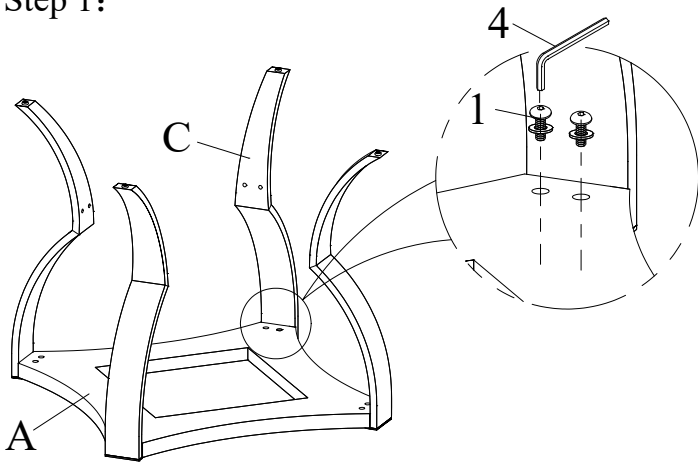
SKU

23112080

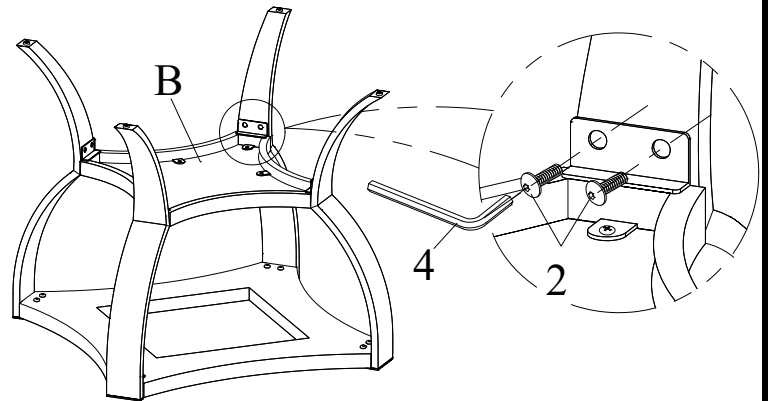
This product is manufactured by (VICE) for **ROOMS TO GO** 

- Step 1: Attach Leg (C) to the Top Wood Frame (A) using Allen Wrench (4), Allen Bolt (1) ;
- Step 2: Attach Shelf (B) to the Leg (C) using Allen Wrench (4), Allen Bolt (2) ;
- Step 3: Place Suction Cup (3) on the four corners of Top Wood Frame (A); Then Place the Glass (D) on it.
- Step 4: This unit is ready to use.

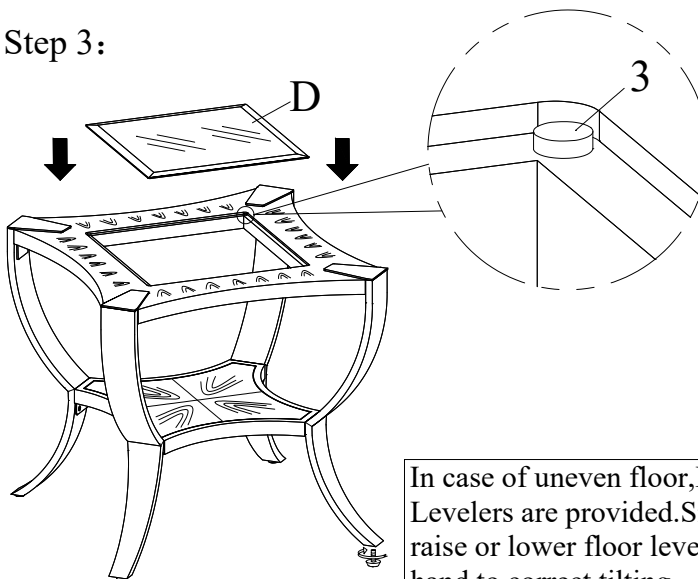
Step 1:



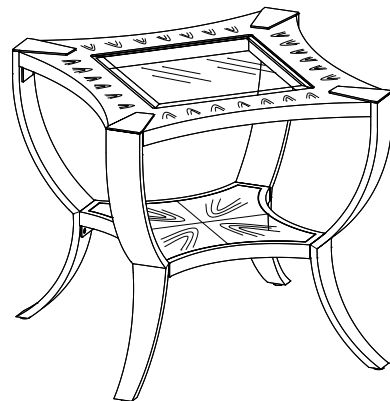
Step 2:



Step 3:



Step 4:



In case of uneven floor, Floor Levelers are provided. Simply raise or lower floor leveler by hand to correct tilting

Hardware Pack Location(s):

N208-2 End Table, SKU# 23112080