



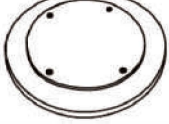






Beginning:

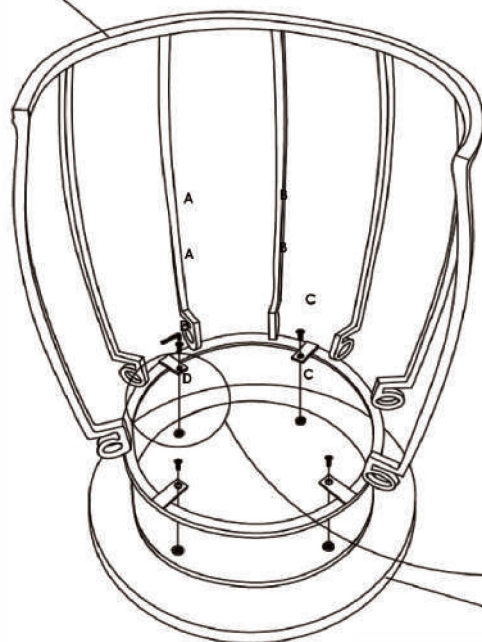
- ! Unpack all parts and hardware to ensure you have all needed components for assembly.
- ! Assemble this item on a soft surface, such as cardboard or carpet to protect finish.
- ! Proper assembly of this item requires 2 people @ 20 minutes to assemble.

Care Instructions :

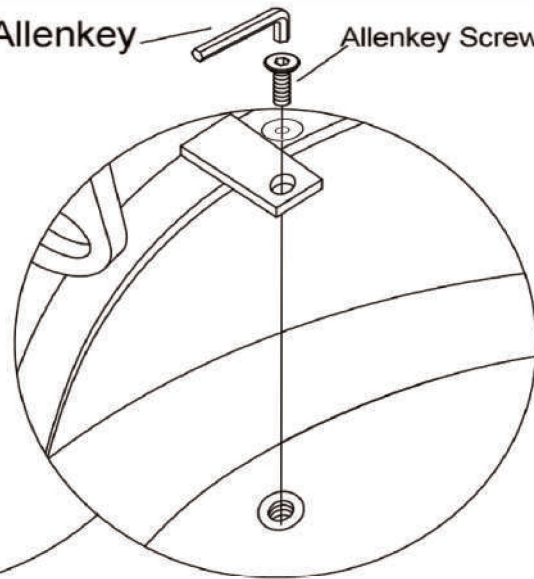
Wipe with a soft, dry cloth. To protect finish, avoid the use of chemicals and household cleaners, any liquid spilled on the table should be cleaned up immediately with a damp cloth.

| | | | |
|--|---|--|---|
| <p>Large Base</p>  | <p>Medium Base</p>  | <p>Small Base</p>  |  <p>FLAT WASHER 11 PCS. + 1 EXTRA 0.27/0.70 INCHES</p> |
| <p>Large Top</p>  | <p>Medium Top</p>  | <p>Small Top</p>  |  <p>Allenkey Screw 11 PCS. + 1 EXTRA 0.19/0.59 INCHES</p>  <p>Allenkey 0.11 INCHES 1 PC.</p> |

Large Base



Allenkey Allenkey Screw



Large Top

Put the marble top upside down. There after attach the iron base (Match the marks A,B,C,D) and screw the d-nuts (0.19/0.59 INCHES), along with flat washer(0.27/0.70 INCHES) with the help of allen key(0.11 INCHES). And repeat the same process with medium and small nesting.



Tip for leveling of product:

When the product rests on an uneven floor surface it will appear to be unbalanced. To aid in leveling, try adjusting the levelers located on the bottom of each foot.



READY TO USE