



# ASSEMBLY INSTRUCTIONS





RQUE N299E - END TABLE







SKU: 23132993

Thank you for purchasing this product. Be sure to check all packing material carefully for small parts which may have come loose inside the carton during shipment. Identify and count all parts and compare with the HARDWARE LIST below.

Caution: Please read all instructions carefully before starting the assembly process. These parts are cumbersome and heavy. Therefore, two people are recommended in order to prevent personal injury and insure the parts are not damaged during the assembly.

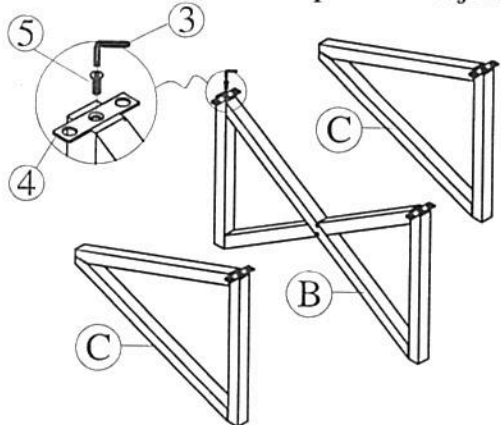
1. We recommend that you assemble this product with the assistance of the another person; this will make assembly easier, and will help to eliminate to the product of injury to persons during assembly.
2. Please do not over tighten screws or bolts until the assembly is completed.
3. Please put all parts on a non-abrasive floor before assembly, and follow the assembly steps to assemble your newly purchased product correctly and efficiently.

NO.	PART LIST		QTY
A		TABLE TOP	1 PC
B		LEG FRAME 1	1 PC
C		LEGS FRAME 2	2 PCS
D		GLASS	1 PCS

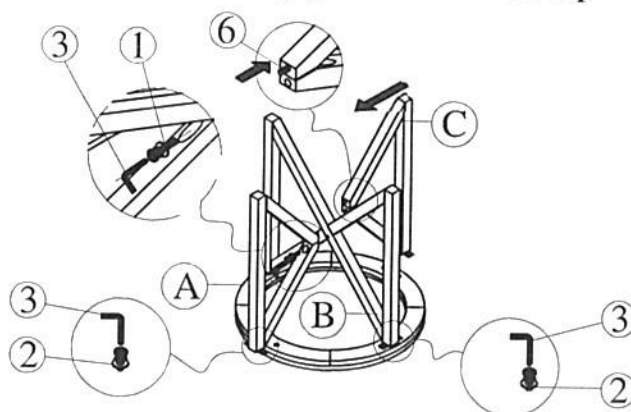
NO.	PART LIST		QTY
1		Bolt: Ø1/4x38	2 PCS
		Flat Washer: Ø6 x 19	2 PCS
		Spring Washer: Ø6 x 12	2 PCS
2		Bolt: Ø1/4x15	8 PCS
		Flat Washer: Ø6 x 19	8 PCS
		Spring Washer: Ø6 x 12	8 PCS
3		Allen Key: M4	1 PC
4		Metal Pat: 80*19*2.5mm	4 PCS
5		Funnel Head Bolt: 1/4x15mm	4 PCS
6		Dowel: 8x30mm	2 PCS

**Note:** Do not tighten all screws & Bolts until the table is fully assembly.

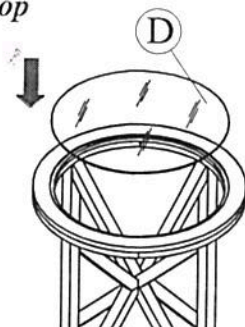
**STEP 1:** Attach the metal pats to the frame A&B



**STEP 2:** Attach the legs frame to the table top



**STEP 3:** Turn the table after that put the glass on the table top



**FINISHED**

