

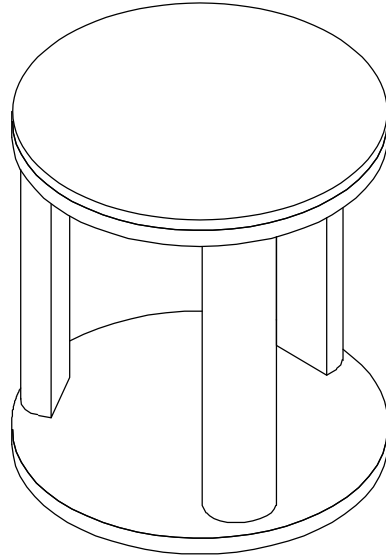


# ASSEMBLY INSTRUCTIONS

NLHF T308-REDED ROUND END TABLE W/SHELF - SKU#23113082

Manufactured by NLHF for Rooms To Go




Version#1-2025/05/15






## LIST OF PARTS

TOOLS REQUIRED: NO TOOLS.

### PART LIST

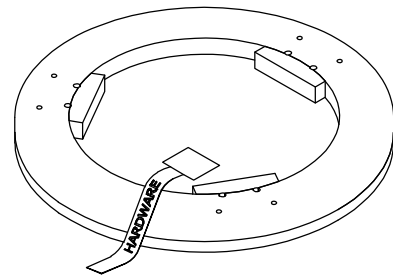
A	Round Cocktail Table Top		1Pc
B	Round Cocktail Table Leg		3Pcs
C	Round Cocktail Table Base		1Pc

### HARDWARE LIST

Pre-installed on Part B	Allen Bolt Ø5/16"-18 x 2" PRE-INSTALLED		6Pcs
	Spring Washer Ø5/16" PRE-INSTALLED		6Pcs
	Flat Washer Ø5/16" x 19*2mm PRE-INSTALLED		6Pcs
	Threaded Washer Ø5/16"-18 x 10mm PRE-INSTALLED		6Pcs
Pre-installed on Part C	Allen Bolt Ø5/16"-18 x 2" PRE-INSTALLED		6Pcs
	Spring Washer Ø5/16" PRE-INSTALLED		6Pcs
	Flat Washer Ø5/16" x 19*2mm PRE-INSTALLED		6Pcs
	Threaded Washer Ø5/16"-18 x 10mm PRE-INSTALLED		6Pcs
D	Allen Key 4mm		1Pc

### Hardware Pack Locations:

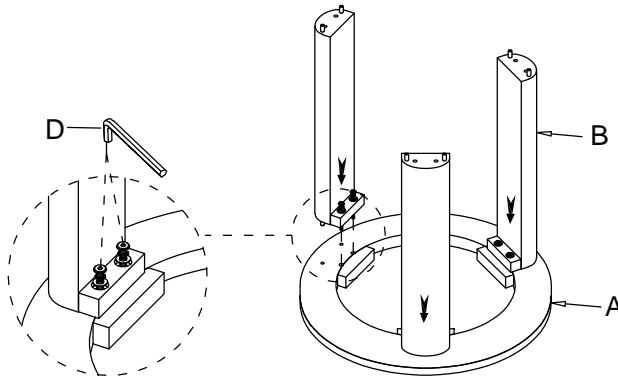
NLHF T308-RED ROUND END TABLE W/SHELF- SKU#23113082



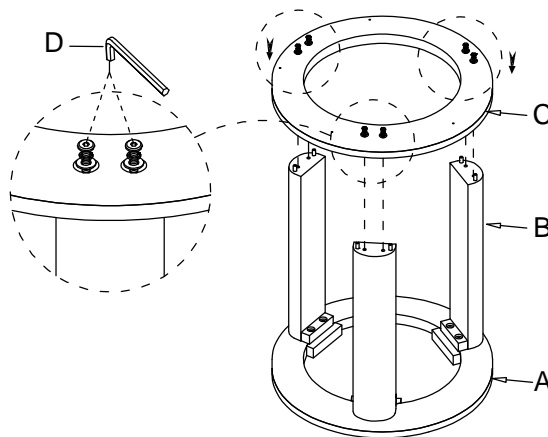
The hardware pack is secured to the back of Top (A)

## PARTS ASSEMBLY

Step 1: Rotate the Table Top (A) clockwise until it aligns with the holes on the table Leg (B), then insert and assemble using the hardware: Allen Key (D).



Step 2: Rotate the base (C) clockwise until it aligns with the holes on the table Leg (B), then insert and assemble using the hardware: Allen Key (D).



Step 3: Turn the table upright to complete the assembly.

