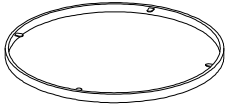
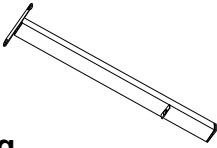




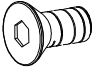



## HMNF

Thank you for your purchase. Before discarding packaging material be sure you have located all the parts including the necessary hardware and tools listed on the instruction sheet below.

### Parts List

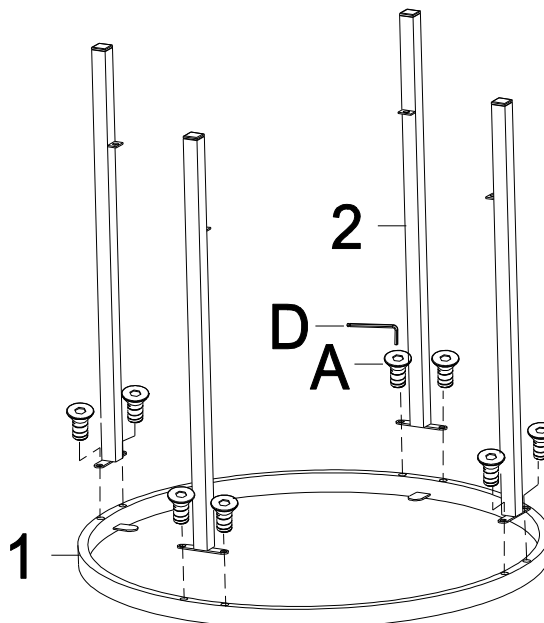
<p># 1 1pc</p>  <p>Top Frame</p>	<p># 2 4pcs</p>  <p>Metal Leg</p>	<p># 3 1pc</p>  <p>Metal Ring</p>
<p># 4 1pc</p>  <p>Black Glass Top</p>		

### Hardware List

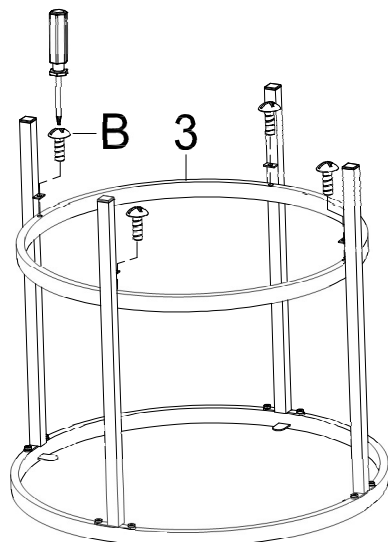
No	Figure	Description	QTY	No	Figure	Description	QTY
A		Bolt 1/4" x 20 x 1/2"	8	C		Glass Tips	4
B		Philips Head 3/16" x 10mm	4	D		4mm Hex Allen Wrench	1

Please do not tighten any bolt firmly before you put all of them in place.

Step 1) Put all parts on a soft surface to prevent scratches. Attach metal legs (#2) to top frame (#1) by using bolt (A) as below shown.



**Step 2) Please note no screwdriver included in hardware package and screwdriver is necessary for this assembly. Attach metal ring (#3) to metal legs (#2) by using Philips Head bolt (B) as below shown then tighten all bolts firmly.**



**Step 3) Turn the table upside down, put glass tips (C) onto top frame (#1) then put black glass top (#4) on as below shown carefully. Your perfect table is completed.**

