



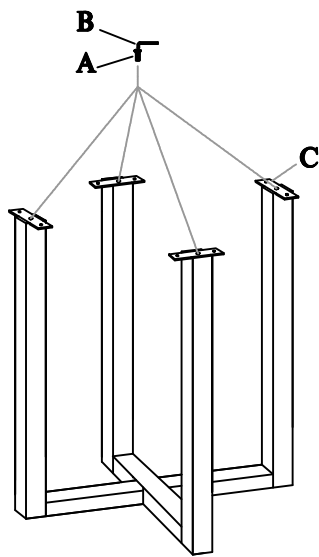


ASSEMBLY INSTRUCTION

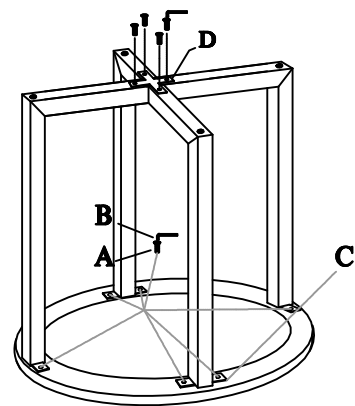
HARDWARE LIST:

A		BOLT	1/4" *1"	16 PC
B		ALLEN WRENCH	4MM	1 PC
C		METAL PLATE		4 PC
D		CROSS METAL PLATE		1 PC

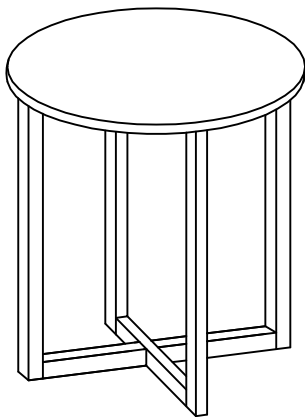
STEP: 1



STEP: 2



STEP: 3



Caution: Please do not tighten all bolts until the end table is completely assembled!

MADE IN CHINA