



ASSEMBLY INSTRUCTIONS

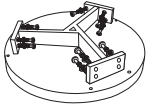
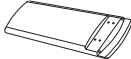
HFSB 2027 2027-2 END TABLE

SKU # 23120277

Manufactured by (HFSB) for Rooms To Go

Thank you for purchasing this quality product. Be sure to check all packing material carefully for small parts. Which may have come loose inside the carton during shipment. Identify and count all parts and compare with the hardware list as below:

PARTS LIST

ITEM	DIAGRAM	DESCRIPTION	QUANTITY
A		TABLE TOP	1 Pc
B		TABLE LEG	3 Pcs

HARDWARE LIST

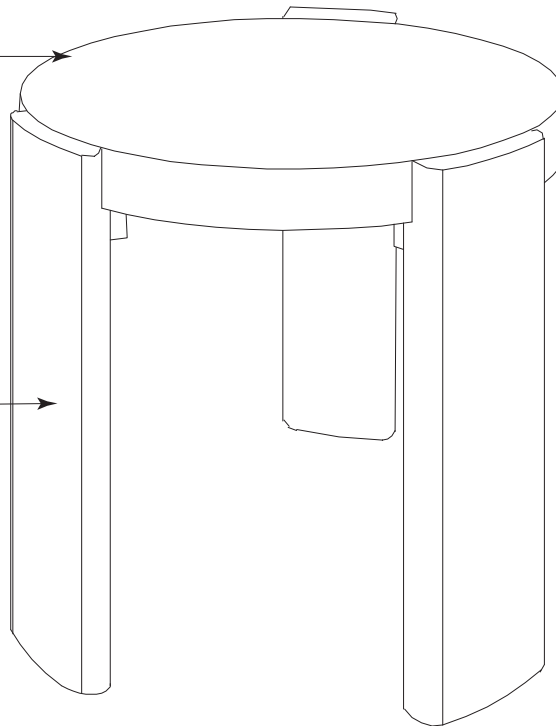
ITEM	DIAGRAM	DESCRIPTION	DIMENSION	QUANTITY
1		ALLEN KEY	M4	1 Pc

PARTS IDENTIFICATION

A



B



Hardware Pack Location(s):

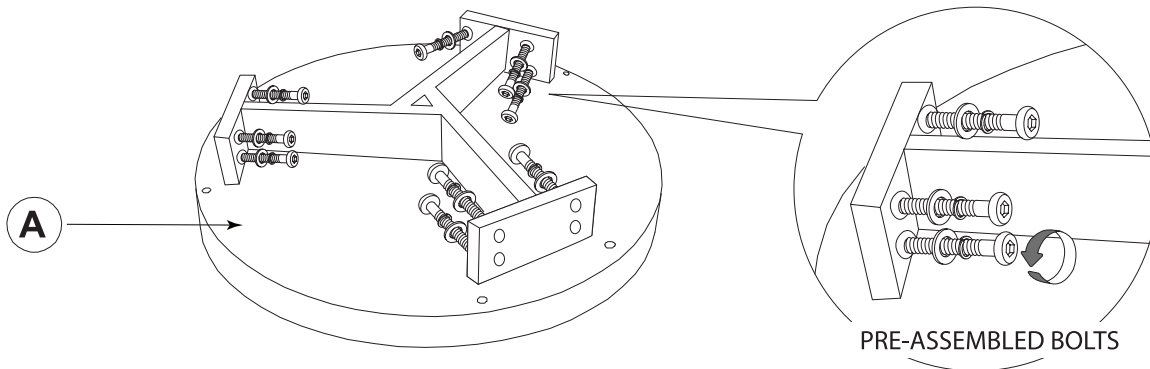
2027-2 END TABLE SKU# 23120277

VERSION #1 - 15 AUGUST 2024

ASSEMBLY STEPS

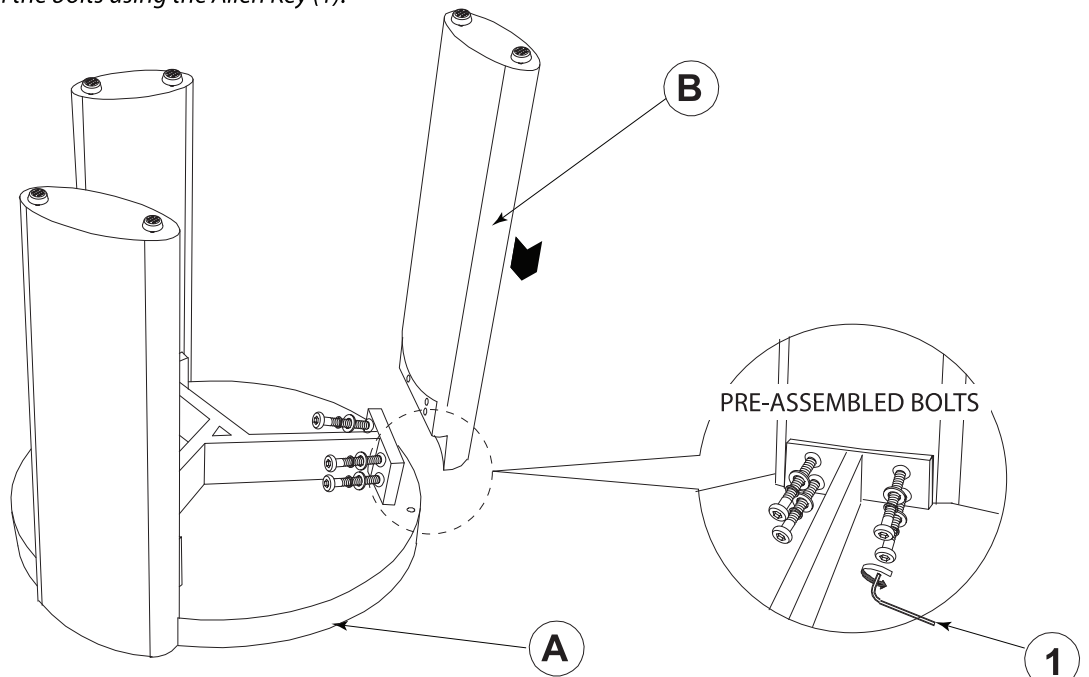
STEP 1

Preparing the Table Top (A) by placing it upside-down on a flat, soft & clean surface.



STEP 2

Attach each Table legs (B) to the connecting blocks in the Table Top, and make sure the locating wooden dowels in the legs are snug into the hole in the table top. Then, Align Bolt fitted with a Spring Washer & a Flat Washer through the holes in the connecting blocks, respectively. Tighten the bolts using the Allen Key (1).



STEP 3

THEN, CAREFULLY PUT THE TABLE UPRIGHT

