

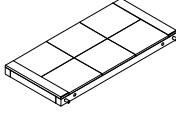
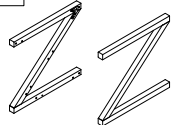
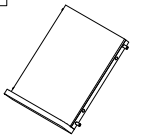
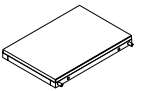


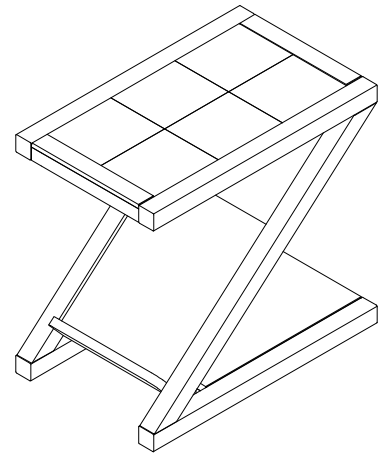
# ASSEMBLY INSTRUCTION

TCHI JD200-04 CHAIR SIDE TABLE SKU#23122029





\*\*\* Thank you for purchasing this quality product. Be sure to check all packing materials carefully for small parts which may have come loose inside the carton during shipment. Identify and count all parts and compare with the parts list below.

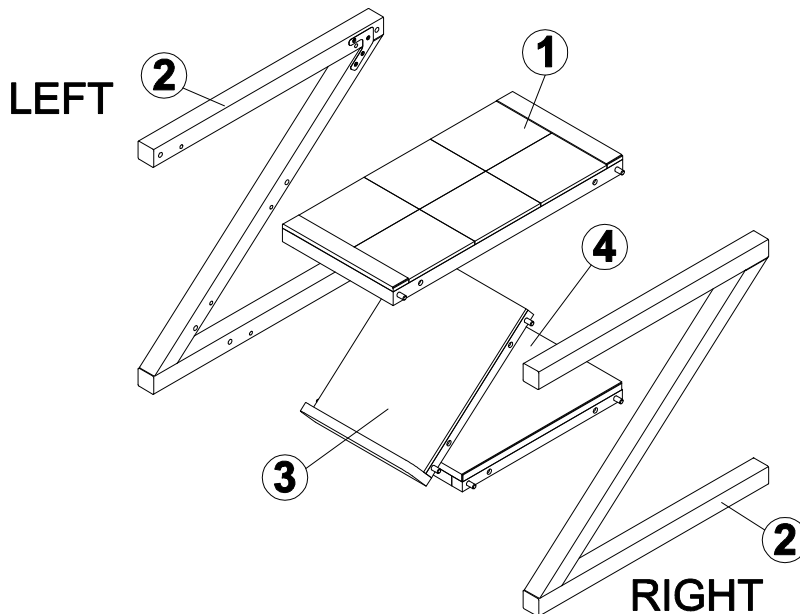
## PARTS LIST

<b>1</b> 	<b>2</b>  LEFT      RIGHT	<b>3</b> 	<b>4</b> 
TABLE TOP: 1PC	LEG FRAME: 2PCS	PANEL CONNECT CROSS BAR: 1PC	BASE: 1PC



## HARDWARE LIST

<b>A</b> 	<b>B</b> 	<b>C</b> 	<b>D</b> 
Bolt: 1/4" * 1-3/4" : 12PCS	Flat Washer: $\phi$ 1/4" * 19: 12PCS	Block Washer: $\phi$ 5/16": 12PCS	Allen Wrench: 1PC

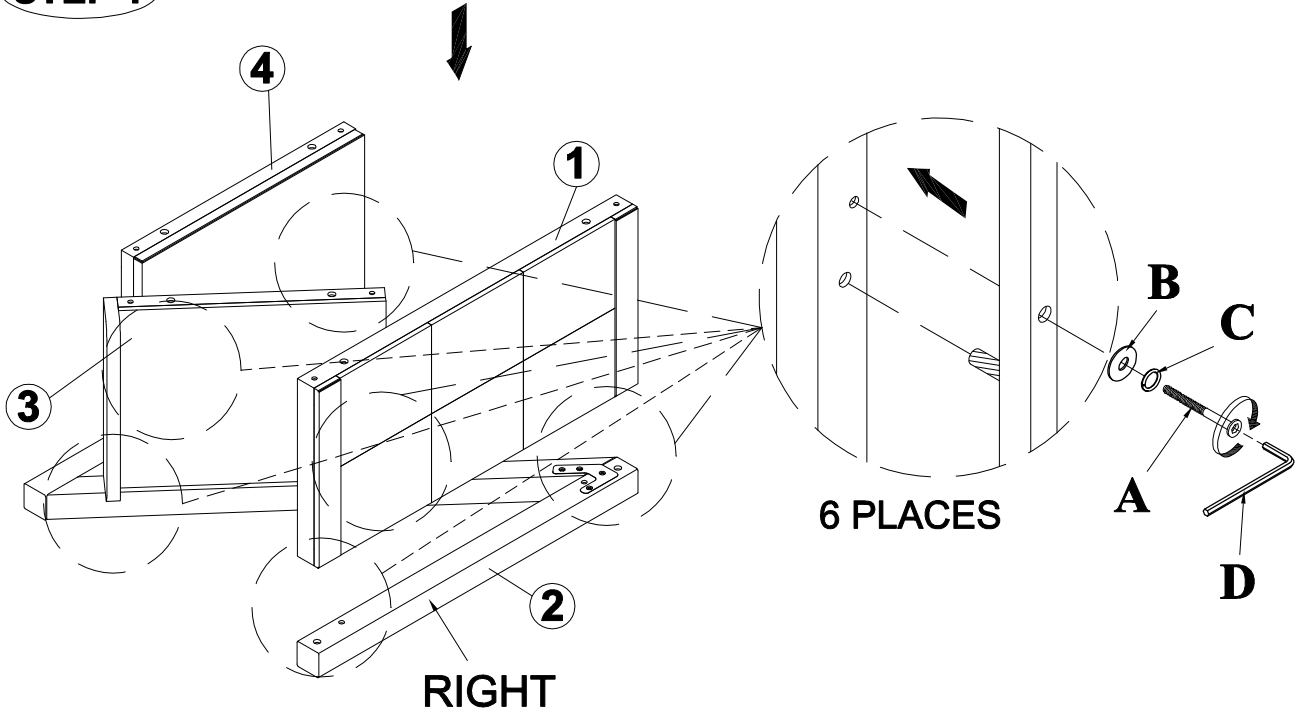




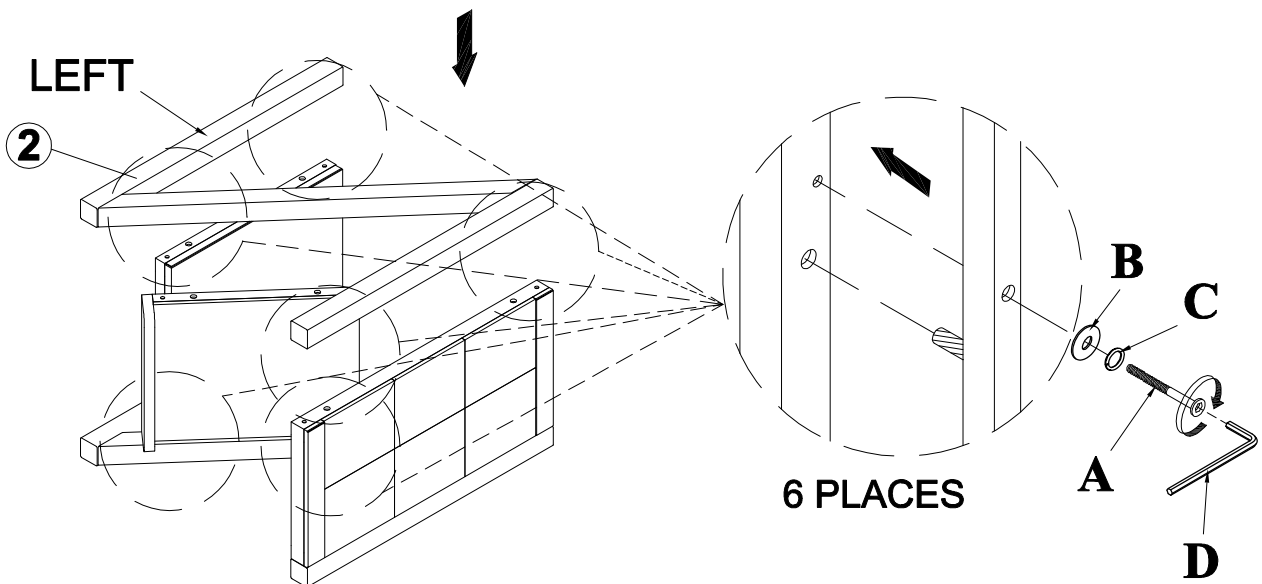
# ASSEMBLY INSTRUCTION

TCHI JD200-04 CHAIR SIDE TABLE SKU#23122029

## STEP 1



## STEP 2



**NOTE: TABLES HAVE BASE LEVELERS TO COMPEN SATE FOR UNEVEN FLOORS.**

**CLEANING INSTRUCTION:** Clean with a soft cloth and warm water with a diluted mild detergent. Follow with a soft cloth and clear water rinse, then dry thoroughly with a soft cloth.