



UTTERMOST

Assembly Instruction

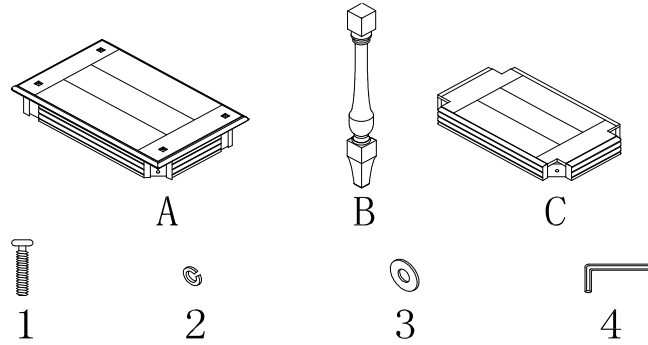
ITEM#24295

Component List:

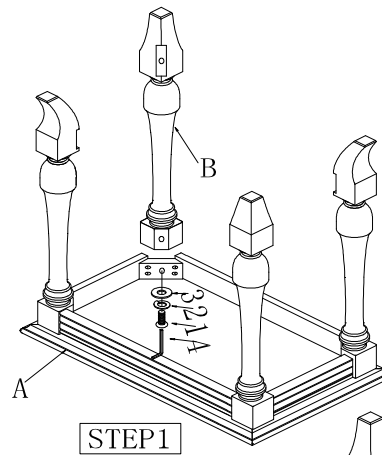
- A. Table Top.....1pc
- B. Leg.....4pcs
- C. Bottom panel.....1pc

Hardware List:

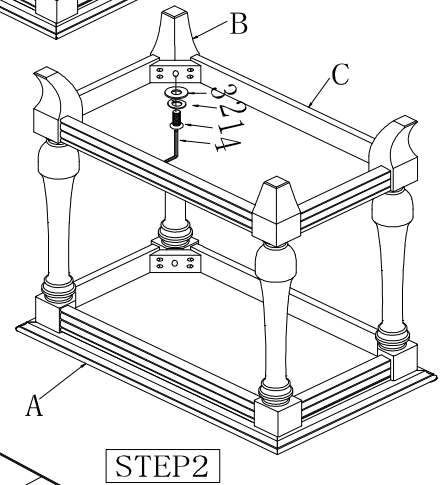
- 1. Bolt.....8pcs
- 2. Spring Washer.....8pcs
- 3. Flat Washer.....8pcs
- 4. Allen Wrench.....1pc



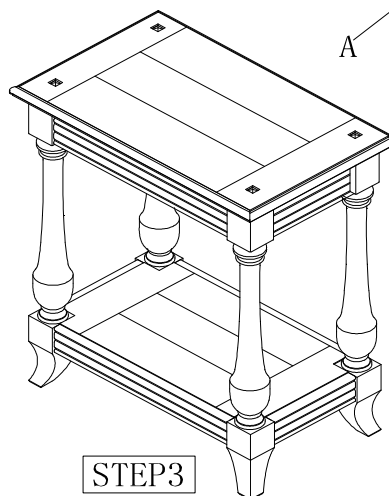
Step1. Put the Table Top(A) on a soft clean place, connect the Leg(B) and Table top(A) using Bolt(1), Spring Washer(2) and Flat Washer(3). Tighten by Allen Wrench(4), but don't tighten yet.



Step2. Connect the Bottom panel(C) and Leg(B) using Bolt(1), Spring Washer(2) and Flat Washer(3). Tighten by Allen Wrench(4).



Step3. Tighten all the bolts. Turn the table upright.



Assembly is complete now.
Thank you for your purchase.