



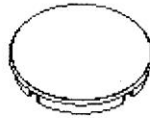
UTTERMOST

Assembly Instruction

ITEM#24346

Component List:

- 1.table Top1pc
- 2.Leg4pcs
- 3.Connecting1pcs



1



2



3

Component List:

- a.Bolt4pcs
- b.Spring Washer.....4pcs
- c.Flat Washer4pcs
- d.Allen Wrench1pc
- e.Wood Screw4pcs



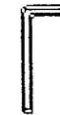
a



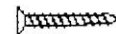
b



c



d



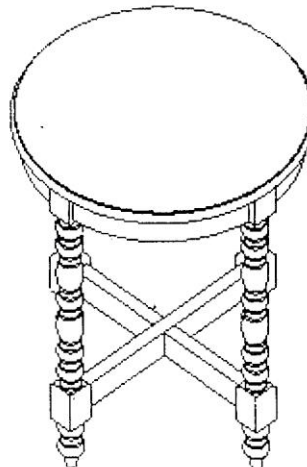
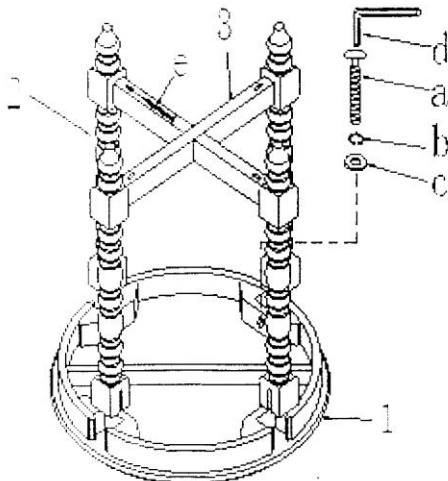
e

Step 1: Attach Legs(2) to Connecting(3) by using Wood Screw(e) but don't tight .

Step 2: Attach Legs(2) and Connecting(3)to Table Top(1)

by using Bolts(a), Washers(b) and Lock Washers(c) .tight with wrench (d)

Step 3: Tight the screw of Connecting(3) .



Step 4: Stand up the table after installation.