




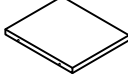
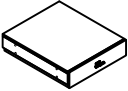

Assembly Instructions

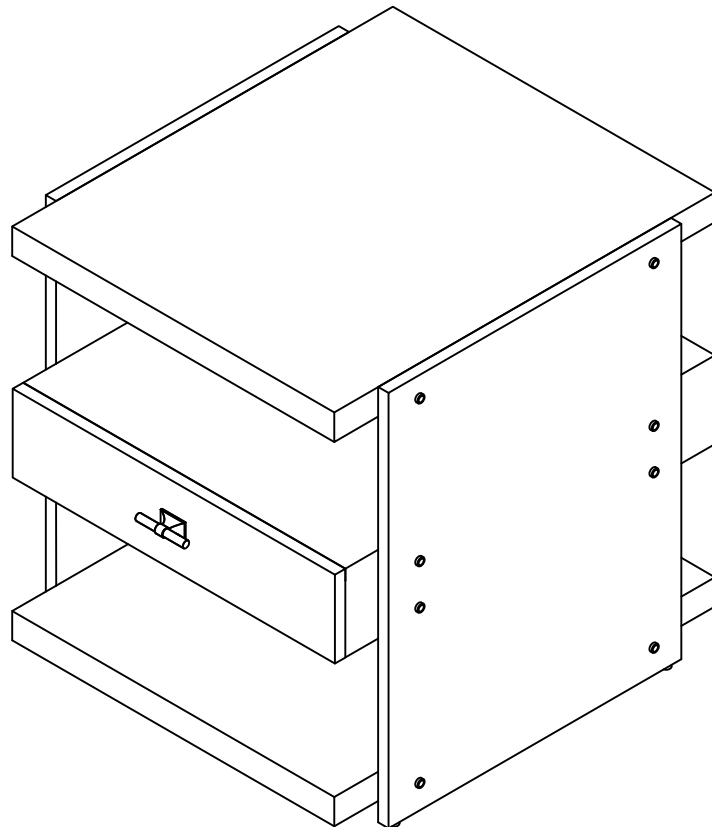
TIMI U3008-02 End Table SKU: 23130088

Manufactured by TIMI for Rooms To Go

VERSION 1.0 - 2024/03/28

HARDWARE LIST					
STEP	NO.	DESCRIPTION		SKETCH	Q'TY
1	A	Allen key	4 mm		2 pcs
1	B	Allen bolt w/ threaded washer	1/4"x20x1-1/4" (Head diameter Ø12mm)		16 pcs
2	C	Metal cap	Ø18x6mm		16 pcs

PART	PICTURE	DESCRIPTION	Q'TY
PART LIST			
1		Table top & Bottom shelf	2 pcs
2		Middle shelf	1 pc
3		Acrylic side panel	2 pcs

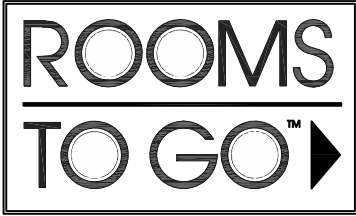


Hardware Pack Location(s):

TIMI U3008-02 End Table SKU: 23130088

MADE IN VIET NAM

PAGE 1 OF 2



Assembly Instructions

TIMI U3008-02 End Table

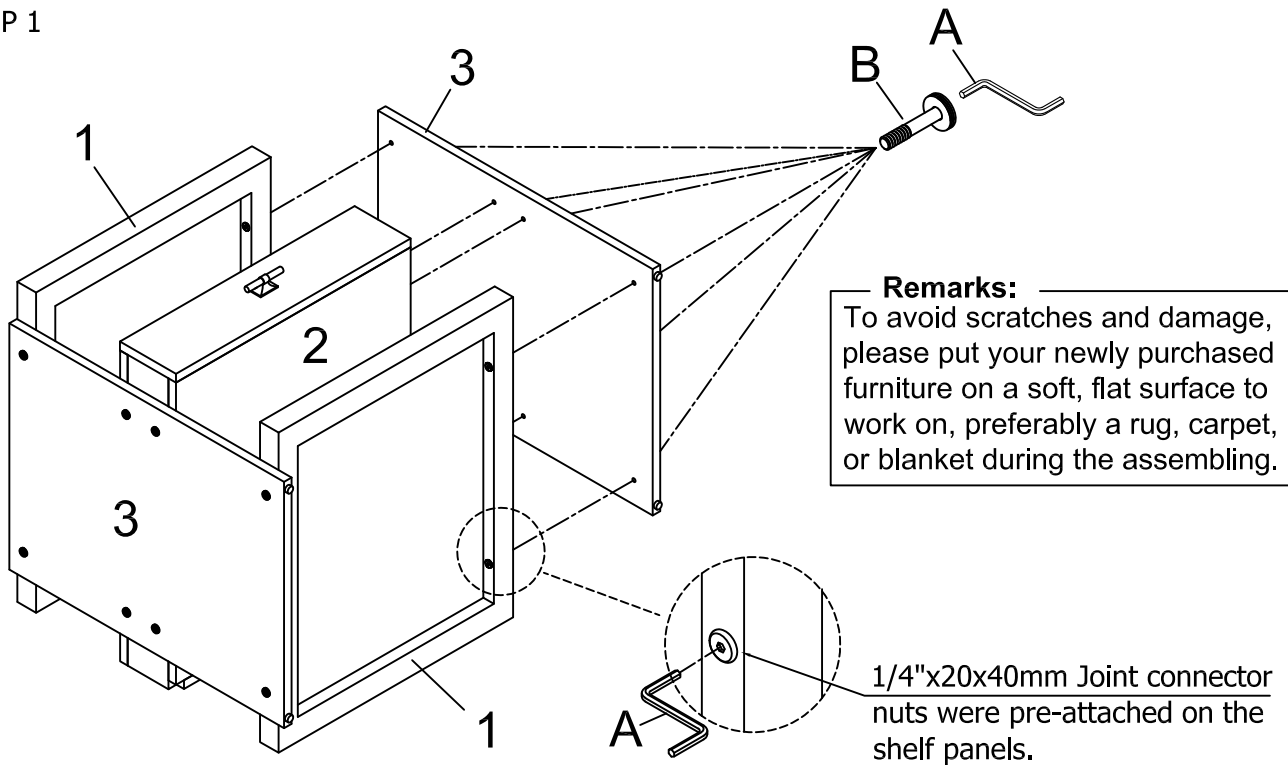
SKU: 23130088

Manufactured by TIMI for Rooms To Go

VERSION 1.0 - 2024/03/28

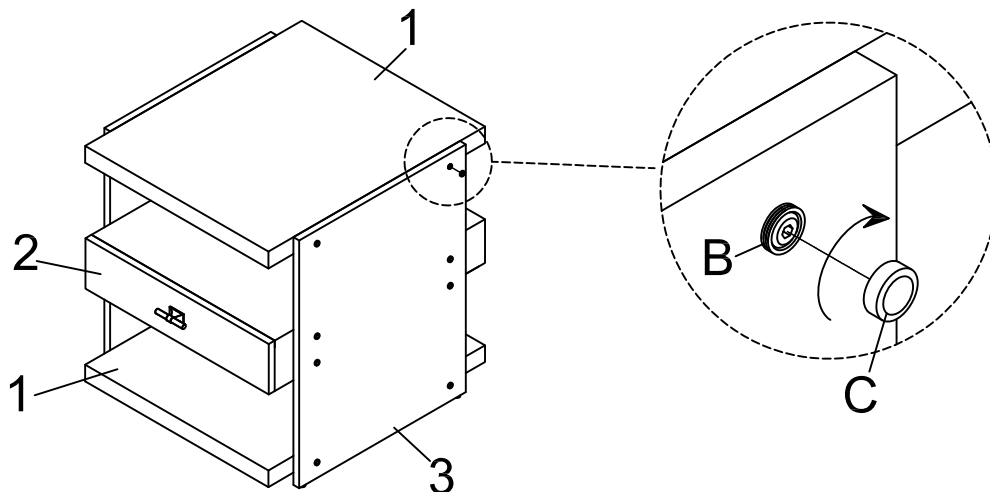
*** Caution: Please read all instructions carefully before starting the assembly process. These parts are cumbersome and heavy. Therefore, two people are recommended in order to prevent personal injury and ensure the parts are not damaged during assembly.

STEP 1



Assemble the Acrylic side panels (3) to the Table top & Bottom shelf (1) and Middle shelf (2).

STEP 2



Assemble the metal caps (C) to the Allen bolts on the Acrylic Side panel (3)