




# Assembly Instructions

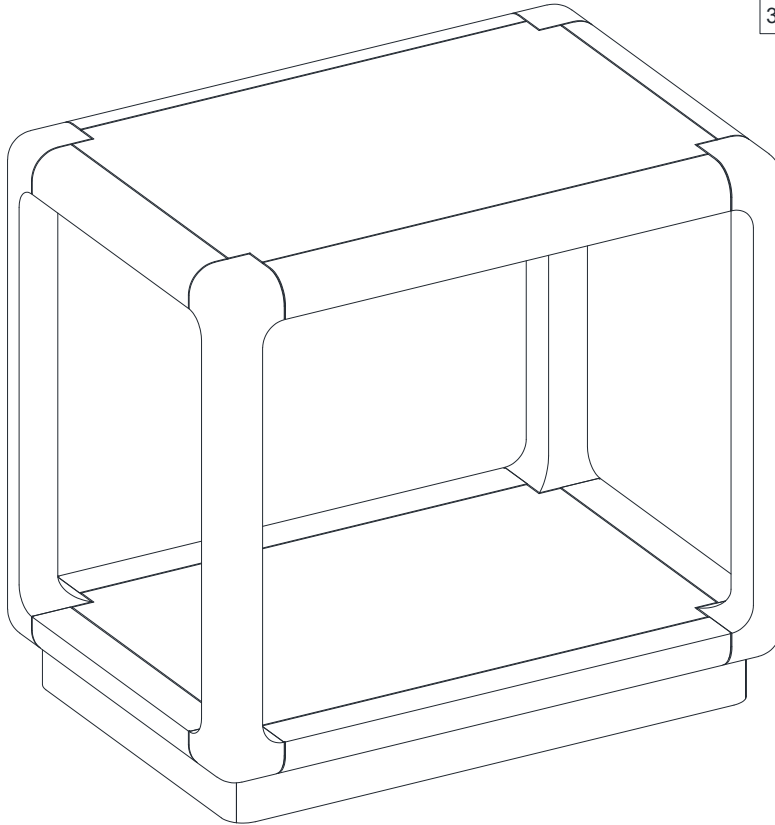
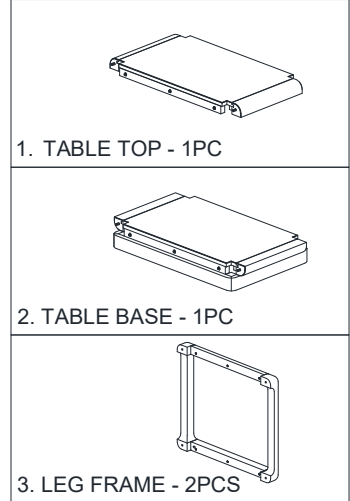
LTID #VAUG18STNA Vaughn End Table  
 LTID #VAUG18STBR Vaughn End Table

Natural  
 Brown

SKU# 23131410  
 SKU# 23131408

STEP	CODE	HARDWARE	Q'TY	
Pre-installed on Part 1&2	A	Allen Bolt (ø 1/4"x20x45mmL)		12 PCS
		Lock Washer (ø 1/4")		
		Flat Washer (ø 1/4")		
		Threaded Washer (ø 1/4"x20x10mmL)		
	B	Wood Dowel (ø 12mm)		8 PCS
1-3	C	4 MM Hex Wrench		1 PC

## PARTS



**Hardware Pack Location(s):**  
 Attached at the bottom of table base.

LTID #VAUG18STNA Vaughn End Table  
 LTID #VAUG18STBR Vaughn End Table

Natural  
 Brown

SKU# 23131410  
 SKU# 23131408

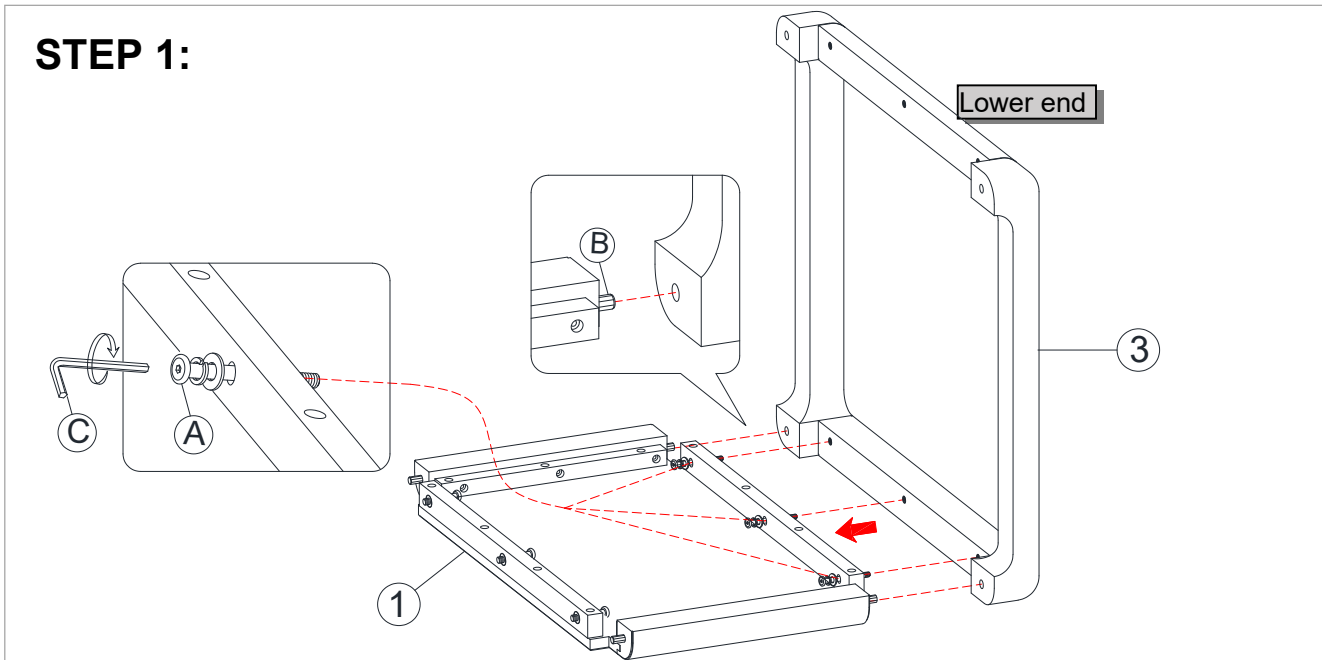
# Assembly Instructions

LTID #VAUG18STNA Vaughn End Table  
LTID #VAUG18STBR Vaughn End Table

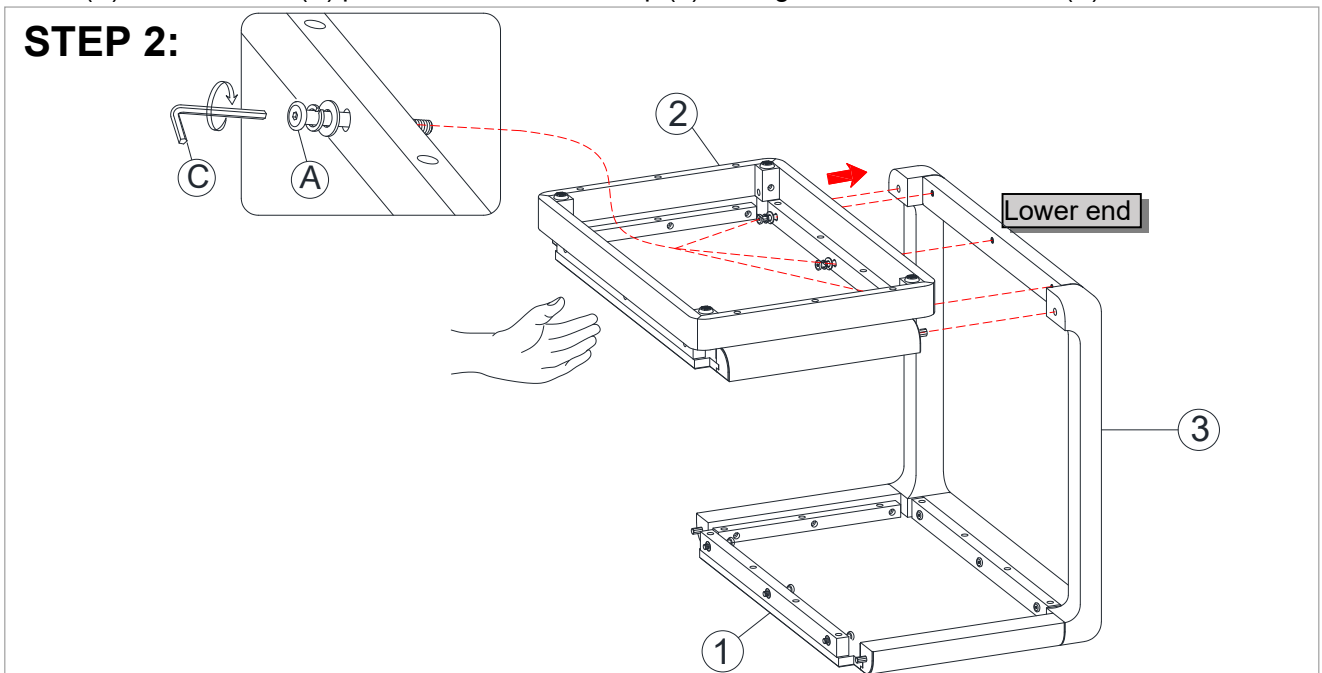
Natural  
Brown

SKU# 23131410  
SKU# 23131408

**\*\*Caution:** Please read instructions thoroughly before starting the assembly process. These parts are cumbersome and heavy. Therefore, two people are recommended in order to prevent personal injury and ensure the parts are not damaged during the assembly. Please do not fully tighten screws or bolts until the assembly is complete.



- 1.1 Unpack the unit and confirm that you have all the hardware and required parts listed on the first page.
- 1.2 Always assemble furniture on a flat/protected surface to avoiding damage or scratch to the product.
- 1.3 Place the Table Top (1) upside down as shown. Align and attach Leg Frame (3) to the Table Top (1) by using Bolts (A) with Washers (A) pre-installed on Table Top (1) and tighten with Hex Wrench (B).



- 2.1 With the help of another person to holding the Table Base (2), attach Table Base (2) to the lower end of Leg Frame (3) by using Bolts (A) with Washers (A) pre-installed on Table Base (2) and tighten with Hex Wrench (B).
- 2.2 Keep holding the Table Base (2) steady until you finished next step assembly.

Manufactured by LTID for Rooms To Go

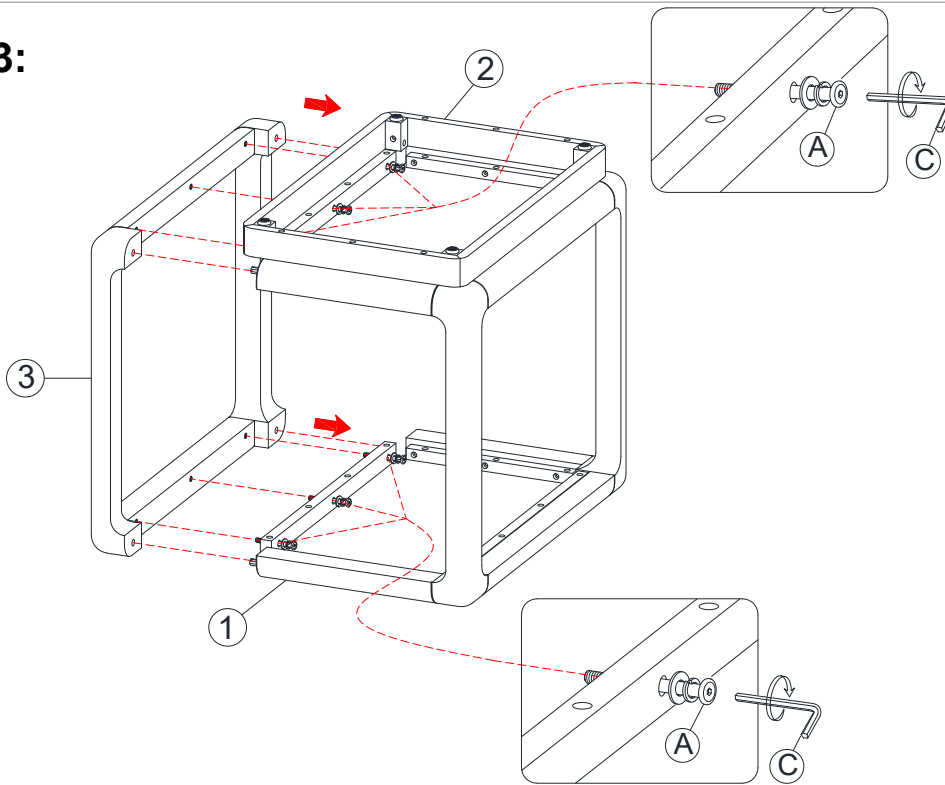
# Assembly Instructions

LTID #VAUG18STNA Vaughn End Table  
LTID #VAUG18STBR Vaughn End Table

Natural  
Brown

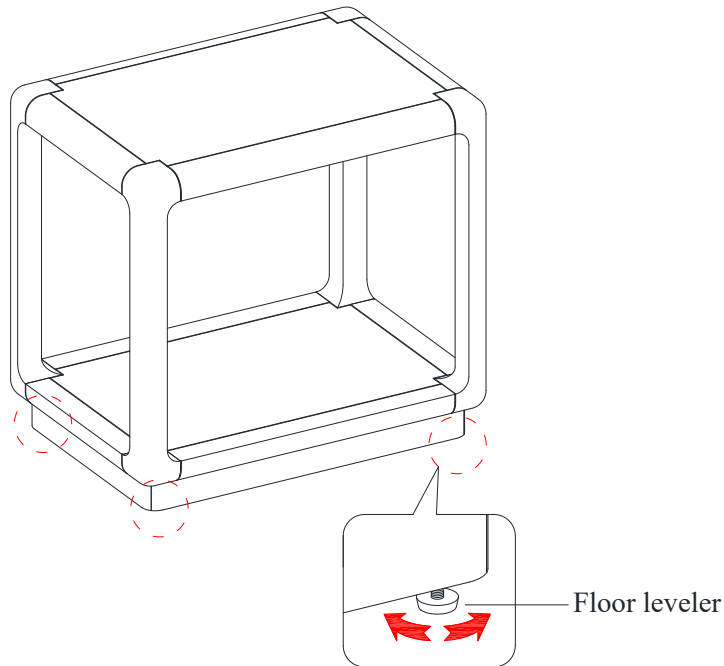
SKU# 23131410  
SKU# 23131408

## STEP 3:



3.1 Attach another Leg Frame (3) to the opposite side of Table Top (1) & Table Base (2) by using Bolts (A) with Washers (A) pre-installed on Table Top (1) & Table Base (2) and tighten with Hex Wrench (B).

## STEP 4:



4.1 Turn the assembled table upright and position it at the desired location.  
4.2 Adjust each floor leveler as necessary until the table is level.

Manufactured by LTID for Rooms To Go

# CARING FOR YOUR FURNITURE

## Protect your investment

The beauty of furniture care is that it helps to protect your investment, as fine furniture is an important purchase. Proper care will help maintain your furniture's finish and ensure that it looks great year after year.

### Caring for furniture

Caring for furniture is easy. Following a few simple guidelines will help extend the life of your furniture.

- **Always dust with a cloth moistened with polish.** Polish cushions the cloth, eliminating the scratching that occurs with dry dusting. Dust will scratch furniture if not removed quickly. Use a soft, clean cloth that won't scratch the surface. Avoid coarse or scratchy materials or fabrics.
- **Avoid using soap and water on furniture.** Water can penetrate the finish and raise the grain on wood. Causing damage.

### The Enemies of Furniture

Many common problems in furniture care are caused by the elements. If you are aware of these troublemakers, the resulting damage can easily be avoided.

- Sunlight's ultraviolet rays can damage wood finishes. Arrange furniture out of direct sunlight use sun screening drapes during intense sunlight hours, rotate furniture in place and room arrangement.
- Liquid spills will damage furniture if not removed promptly. Use coasters under beverage glasses and saucers under cups and flowerpots. If a spill occurs, immediately blot it gently without rubbing the surface.
- Heat creates a chemical change in the furniture finish, which can result in a white spot. Use protective mats under hot dishes, utensils or cooking appliances.
- Cyclic changes in temperature can damage furniture. Placing furniture near to central heating radiators and air ducts should be avoided because this causes extreme localized drying of the wood.

### Tips for Better Dusting

- Be sure to use the same type of polish consistently. Your furniture will appear cloudy or streaky if oil Table Based or wax-Table Based polishes are interchange.
- **Always use a fine furniture polish when dusting.** Never dry dust, as it could cause microscopic scratches on your furniture's surface. Remember to change dusting cloths frequently since a dirty cloth may scratch your furniture's surface.
- Spray your furniture surface evenly, but not too generously. Wipe in a circular motion with a soft, clean cloth to clean and loosen old polish.
- Then buff until completely dry for a beautiful shine and a smudge free finish. For wood trim spray polish on the cloth first, then dust.