



ASSEMBLY INSTRUCTION

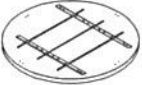


GLOB 4110 - 4 ROUND END TABLE SKU# 23141106

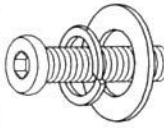

Thank you for purchasing this quality product. Be sure to check all packing material carefully for small parts, which may have come loose inside the carton during shipment. Identify and count all parts and compare with the Parts List below.

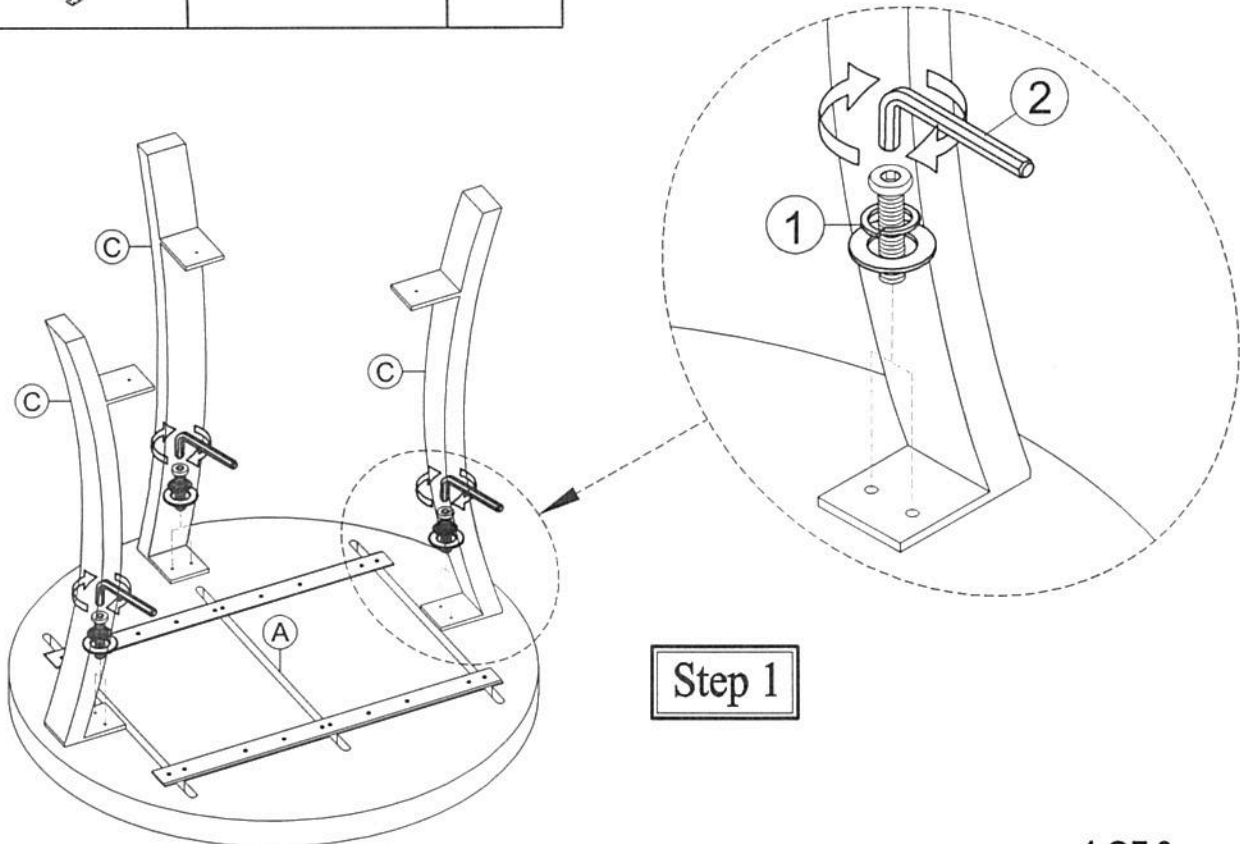
Caution:

Please read Instructions thoroughly before unpacking assembly part.

1. We recommend that you should assemble this product with the assistance of another person ;this will make assembly easier, and will help to eliminate damage the product or injury to persons during assembly.
2. Be sure to check all packing materials carefully for small parts that may have come loose inside the carton during shipment.
3. Please do not over tighten screws or bolts until the assembly is complete.
4. Please put all parts on a non-abrasive floor before assembly, and follow the assembly steps to assemble your newly purchased product correctly and efficiently.

NO.	Parts List		Q' TY
A		Top	1
B		Shelf	1
C		Leg	4

No.	HARDWARE LIST		Qty
1		Allen Bolt 1/4x12x5/8"	12 PCS
		Spring washer Ø1/4" x 11 x 2mm	12 PCS
		Flat washer Ø1/4" x 19 x 2mm	12 PCS
2		Allen Key (4mm)	1 PC

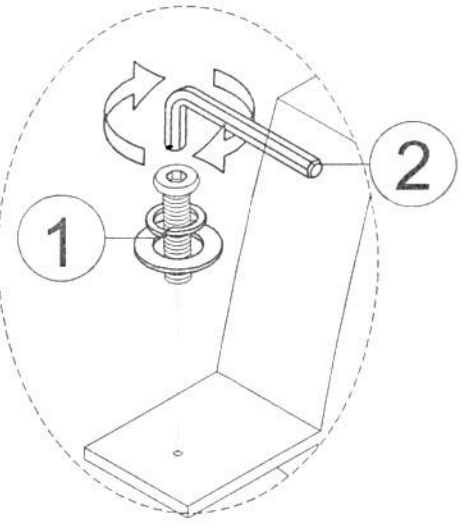
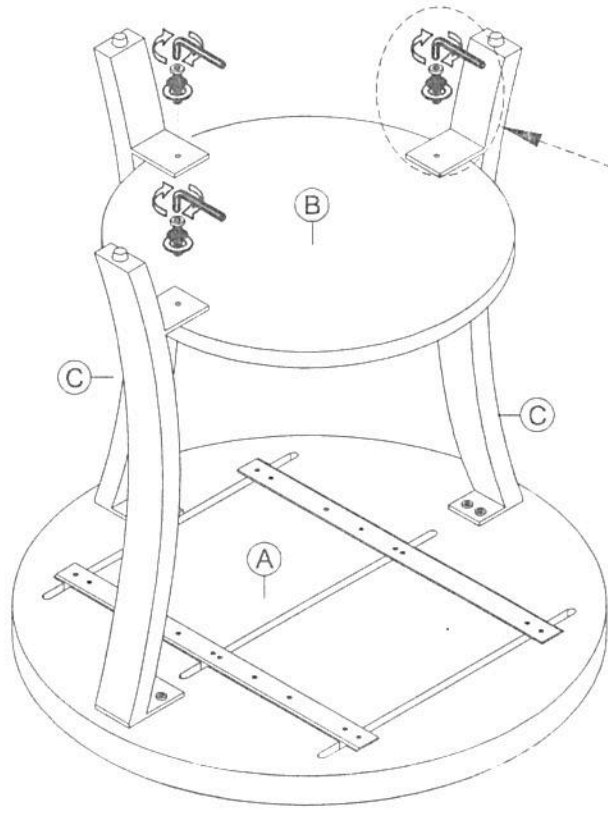


Step 1

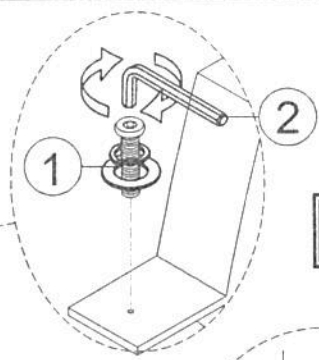
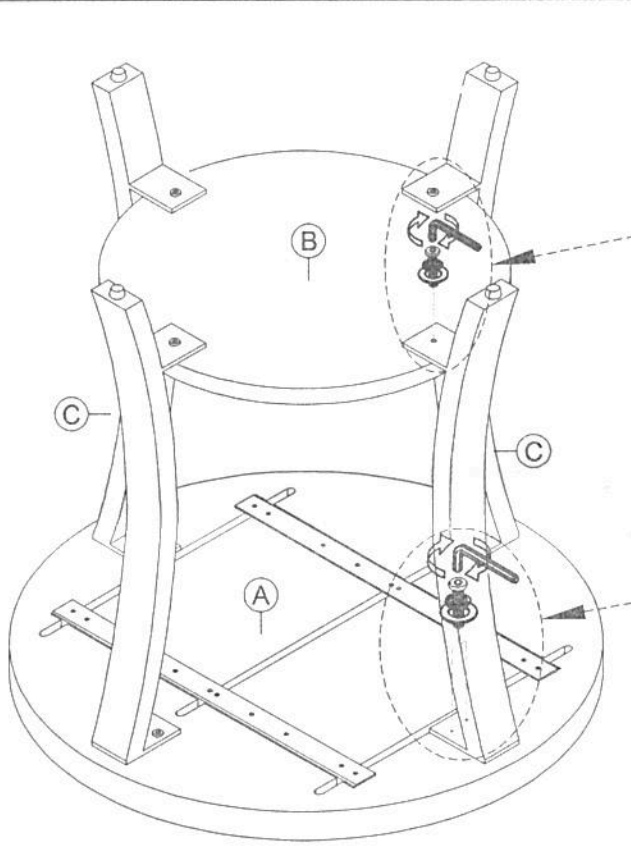


ASSEMBLY INSTRUCTION

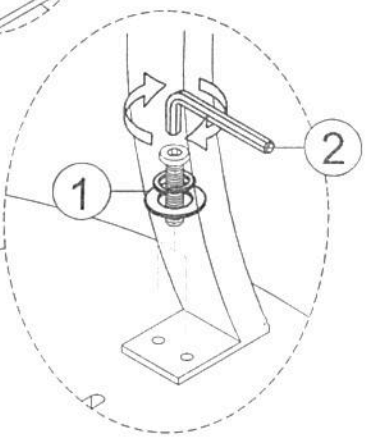
GLOB 4110 - 4 ROUND END TABLE SKU# 23141106



Step 2



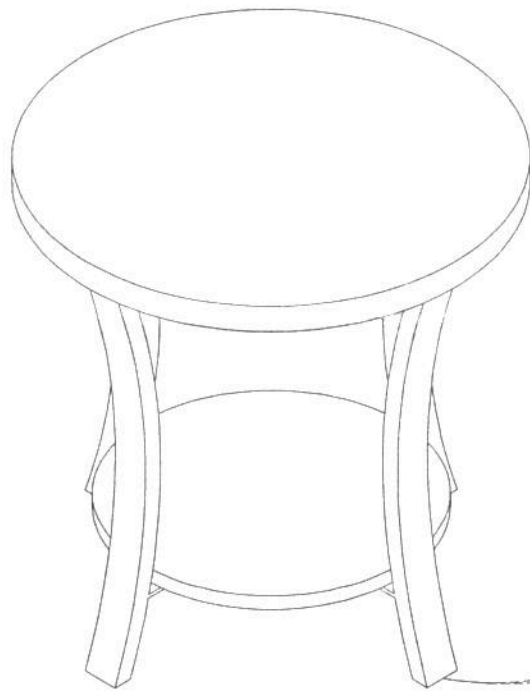
Step 3



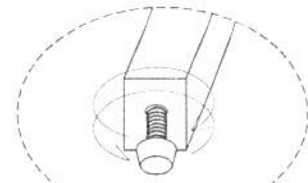


ASSEMBLY INSTRUCTION

GLOB 4110 - 4 ROUND END TABLE SKU# 23141106



Step 4



Finish