


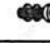



ROOMS




TO GO

ASSEMBLY INSTRUCTION

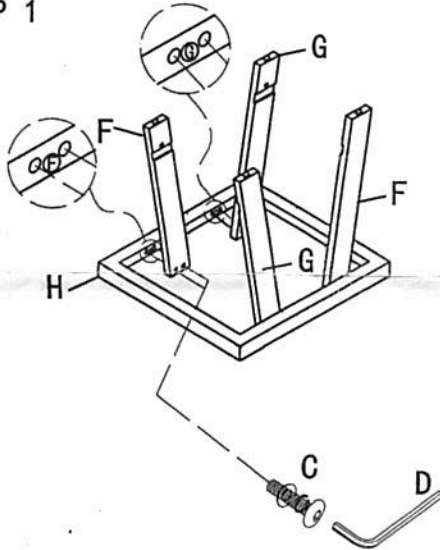
ALEK N1226 -4 Chairside Table

SKU: 23142261

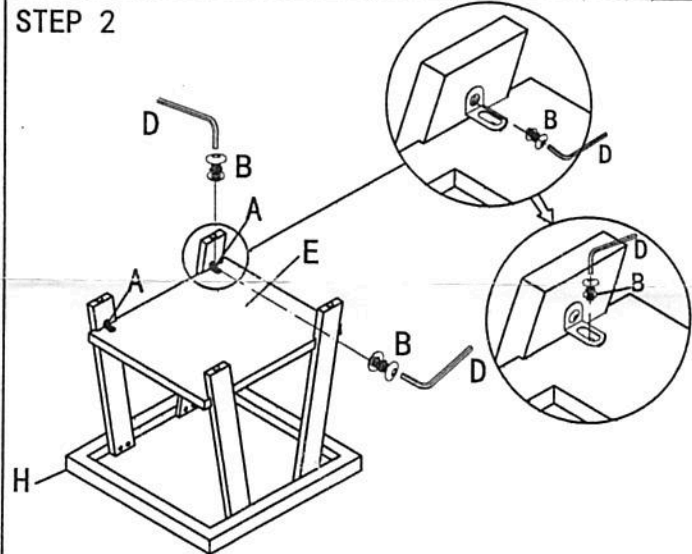
NO.	PART	DESCRIPTION	Q' TY
A		METAL PLATE	4
B		BOLT: $\phi 5/16 \times 3/4$ " (20 Threads per inch)	8
C		BOLT: $\phi 5/16 \times 2$ " (20 Threads per inch)	8
D		Allen Key	1
E		SHELF	1

NO.	PART	DESCRIPTION	Q' TY
F		LEG1	2
G		LEG2	2
H		TOP	1

STEP 1



STEP 2



- Carefully unwrap the furniture and place all the parts on the soft blanket.
- Place Top H on the soft blanket, attached Shelf (E) to Leg1 (F) Leg2 (G) use Bolt (B) by Allen Key (F), see the picture Step1
- Attach Leg1 (F) Leg 2 (G) to Top (H) Use Bolt (C) tighten by Allen key (D),
See Picture Step2
- Step two is to install the component C
Please lock the C circular hole first, then lock the C elliptical hole.
- Tighten the legs 1 %.
- Enjoy your table for a long time to come.

MADE IN VIETNAM