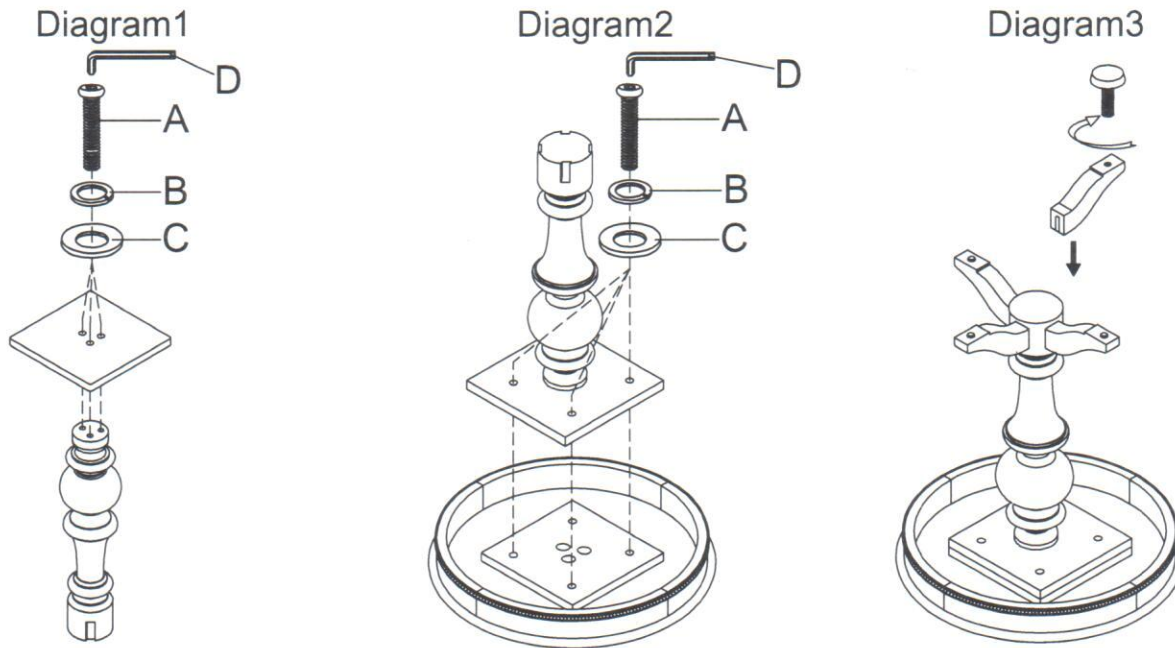


ASSEMBLY INSTRUCTIONS

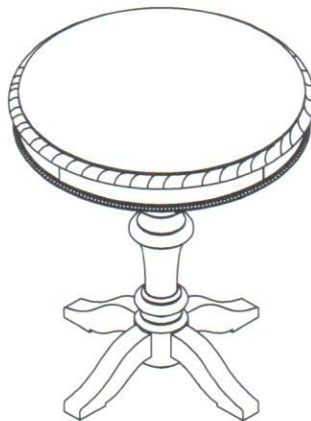
P587-29 CHAIRSIDE TABLE

Read Instructions carefully prior to assembly.





Thank you for purchasing this high quality product. Check carefully for small parts which may have come loose during shipment.



Begin by placing the table upside down on a smooth surface please make sure the surface is not abrasive.



HARDWEAR LIST:

No.	DRAWING	Q'TY	DESCRIPTION	No.	DRAWING	Q'TY	DESCRIPTION
A		7PCS	BOLT(Ø5/16"*1-1/2"L)	C		7PCS	WASHER(Ø5/16"*19mm)
B		7PCS	SPRING WASHER(Ø5/16"*12mm)	D		1PC	ALLEN WRENCH(5mm)

1) Attach bottom mounting plate to the post in Diagram 1.

1) Attach base assembly to the table top in Diagram 2.

2) Attach legs to the in Diagram 3.

3) Place the table into position.