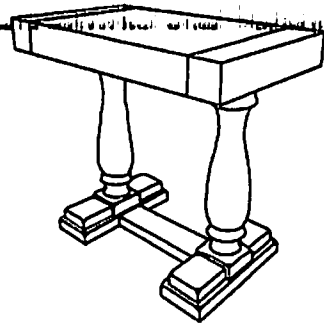




ASSEMBLY INSTRUCTIONS

Item No: T436-29

Description: Chair Side Table



IMPORTANT NOTE:

- Place all wooden parts on a clean and smooth surface such as a rug or carpet to avoid the parts from being scratched.
- Check to be sure that you have all parts and hardware.
- Remove all wrapping materials, including staples & packing straps before you start to assemble.
- Do not tighten all screws/bolts until all completely assembled.
- Keep all hardware parts out of reach of children.

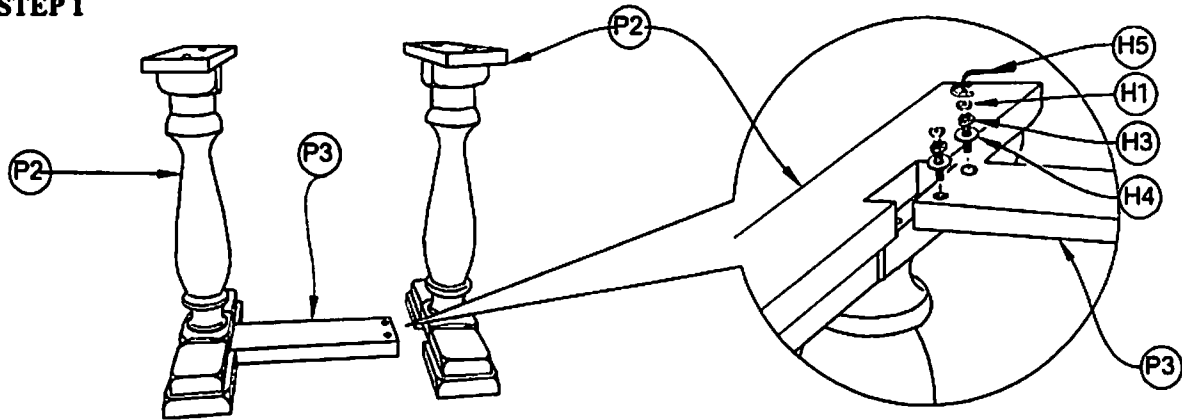
PARTS LIST (FOR 1 NOS. OF TABLE)

NO.	COMPONENT	QTY.
P1	TABLE TOP	1
P2	TABLE LEG	2
P3	BOTTOM STRETCHER	1

HARDWARE LIST (FOR 1 NOS. OF TABLE)

NO.	DESCRIPTION	QTY.
H1	JCBC BOLT M6 X45MM	4
H2	JCBC BOLT M6 X 30MM	4
H3	SPRING WASHER	8
H4	FLAT WASHER	8
H5	ALLEN KEY	1

STEP 1



STEP 2

