

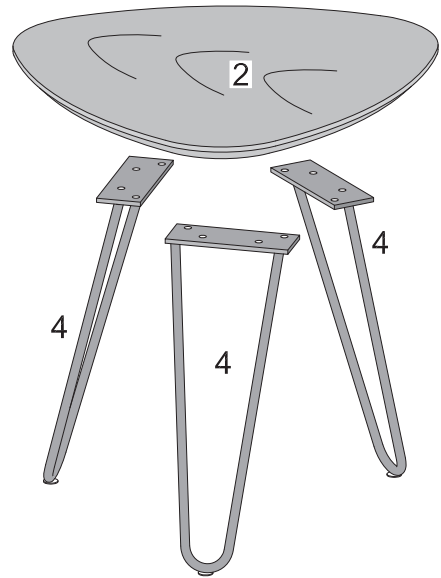
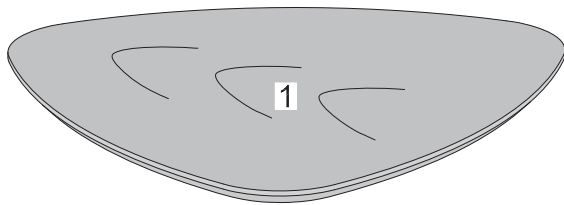
Item # : AF24HPNC
Assembly Instructions




For the most current instructions, additional assembly tips, to report damage or request parts, please visit our website at www.walkerredison.com.

Revised 03/2017

Parts List

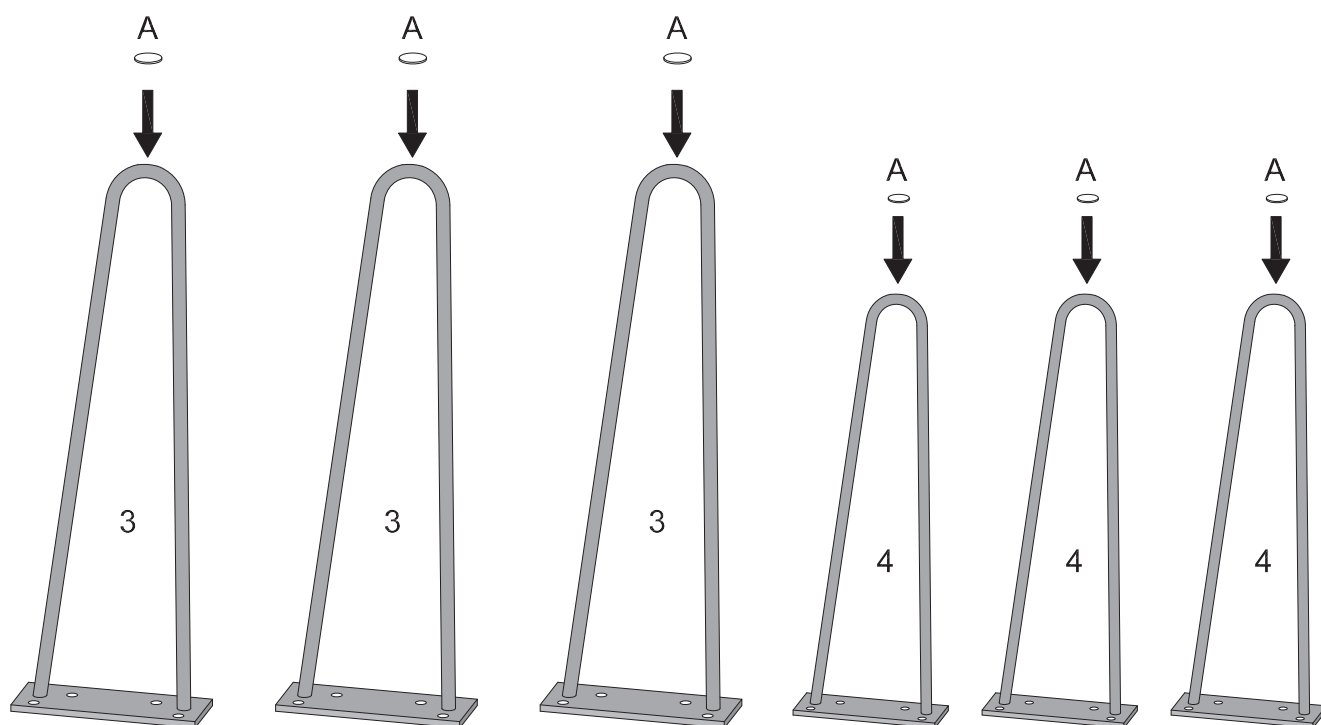


Parts List

A		Ø16*2mm	Sponge pad	6 pcs
B		Ø6*15mm	Bolt	24 pcs
C		Wrench	Wrench	1 pc

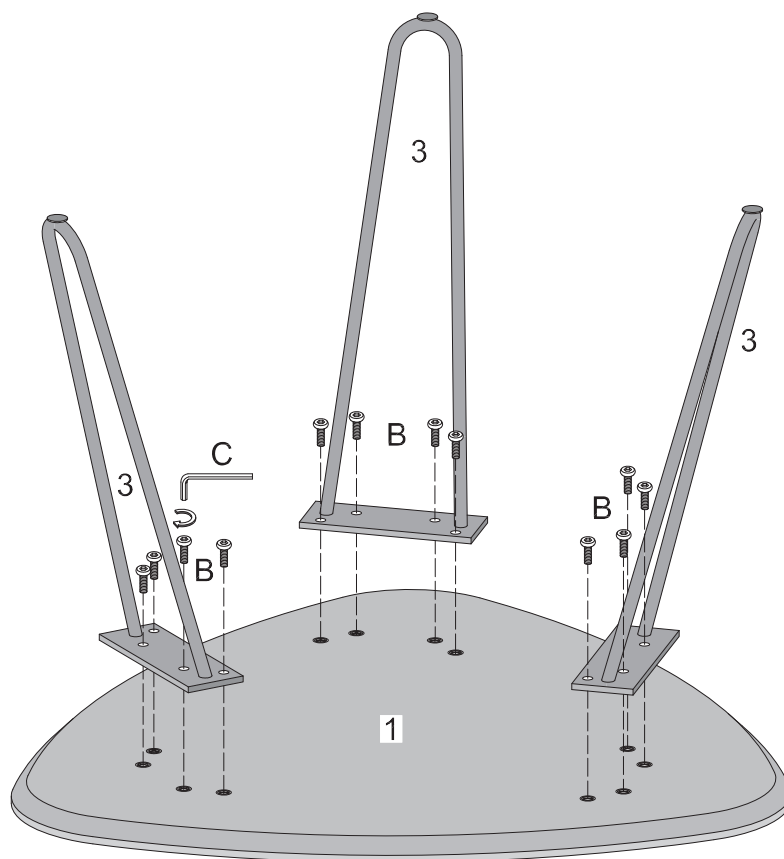
*The hardware quantities listed above are required for proper assembly.
Some extra hardware may also have been included.*

Step 1



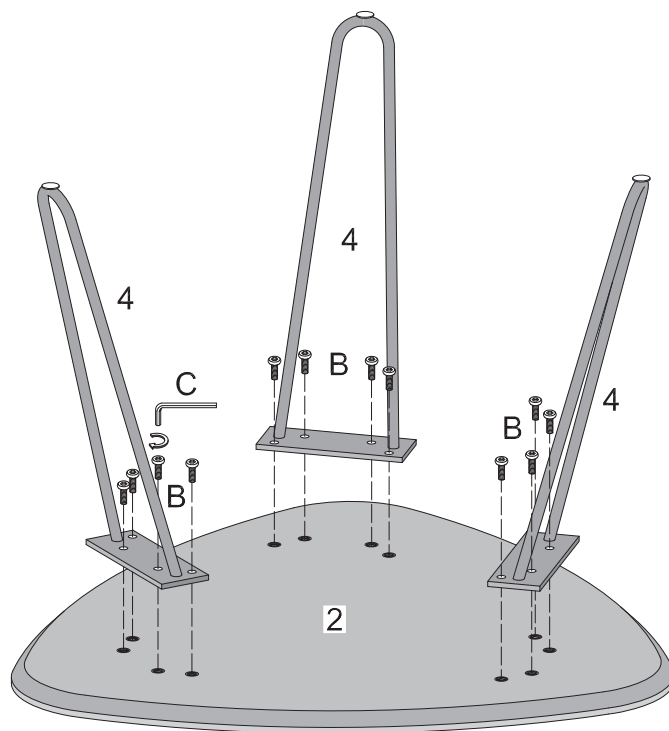
Stick the sponge pad (A) to metal leg (3,4) as per diagram.

Step 2



Use wrench (C), bolt (B) to secure the metal leg (3) to the table top (1).

Step 3



Use wrench (C), bolt (B) to secure the metal leg (4) to the table top (2).

Step 4



Final Assembly