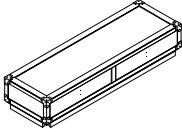
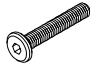

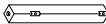


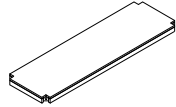


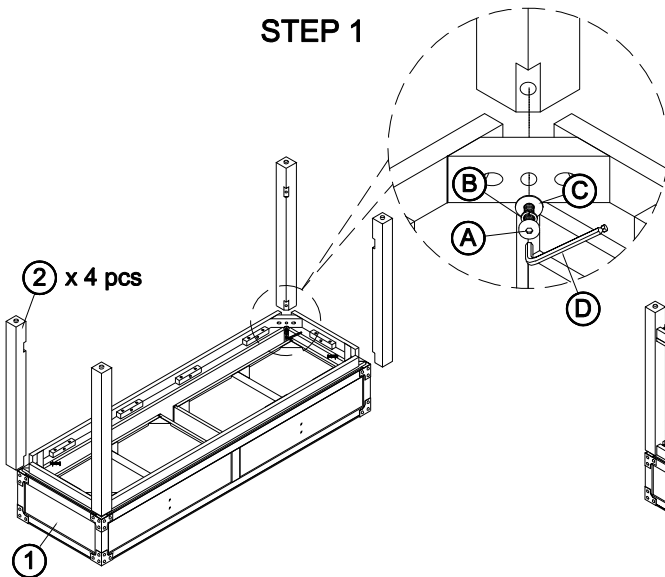
Assembly Instructions

ITEM NO: 67458

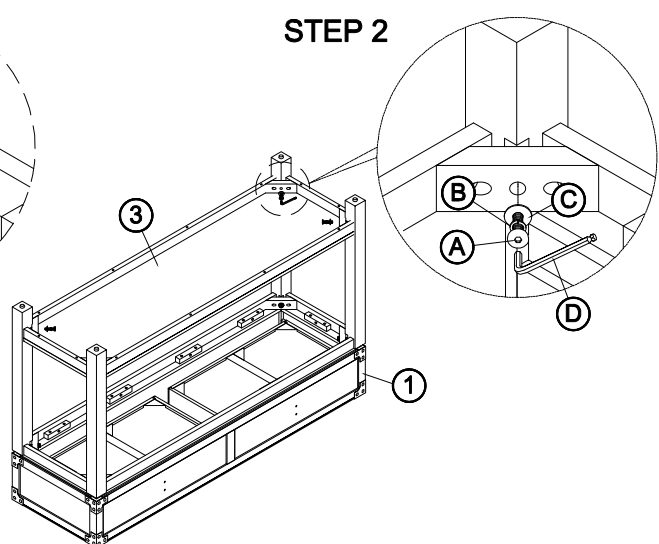
Thank you for purchasing this quality product. Be sure to check all packing material carefully for small parts that may have come loose inside the carton during shipment. (Note: Loosely thread all screws/bolts first. Once the item is assembled then completely tighten.)

PARTS LIST:				HARDWARE LIST:				
No.	Description	Sketch	Quality	No.	Sketch	Description	Size	Quality
1	Top Table		1 Pc	A		Allen Head Bolt	Ø8x45mm	8 Pcs
				B		Lock Washer	Ø9xØ13mm	8 Pcs
2	Legs		4 Pcs	C		Flat Washer	Ø8xØ19mm	8 Pcs
				D		Allen Key	4x110mm	1 Pc
3	Bottom Frame		1 Pc					

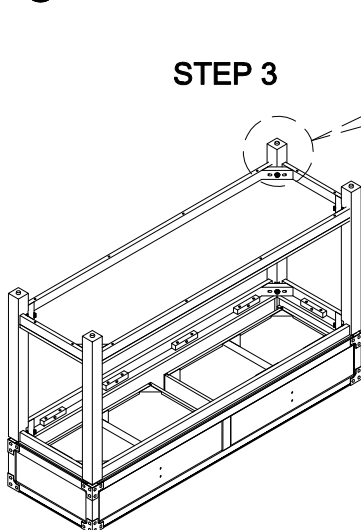
STEP 1



STEP 2



STEP 3



Adjustable Levelers

Tips for leveling:
Sometimes furniture will appear to be unbalanced because of an uneven floor surface that the item rests on. In the case, try adjusting the levelers found on the bottom of each foot to aid in balancing.

FINISH

