



ASSEMBLY INSTRUCTION

ALEK N212-2 End Table With Drawer
SKU: 23252125

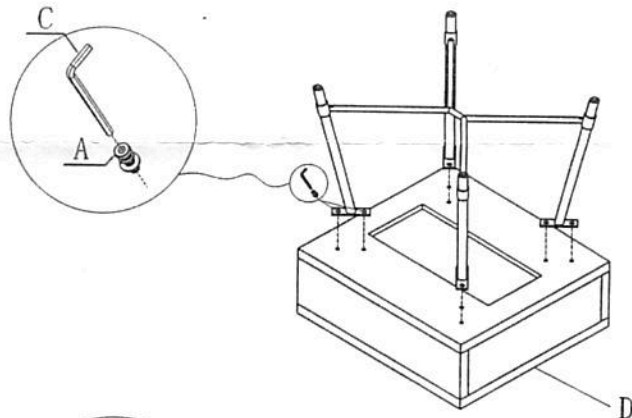
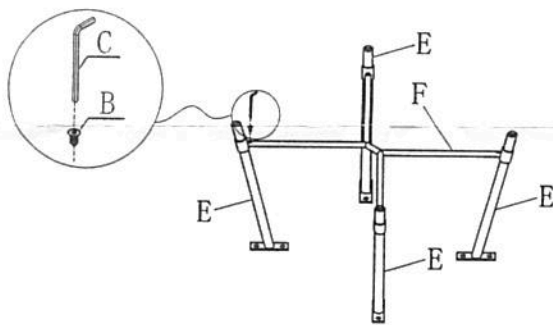
Thank you for purchasing this quality product. Be sure to check all packing material carefully for small parts, which may have come loose inside the carton during shipment. Identify and count all parts and compare with the **HARDWARE LIST** below.

NO.	PART	DESCRIPTION	Q' TY
A		φ1/4" * 3/4" BOLT	8
B		φ1/4" * 1/2" BOLT	4
C		ALLEN WRENCH (4MM)	1

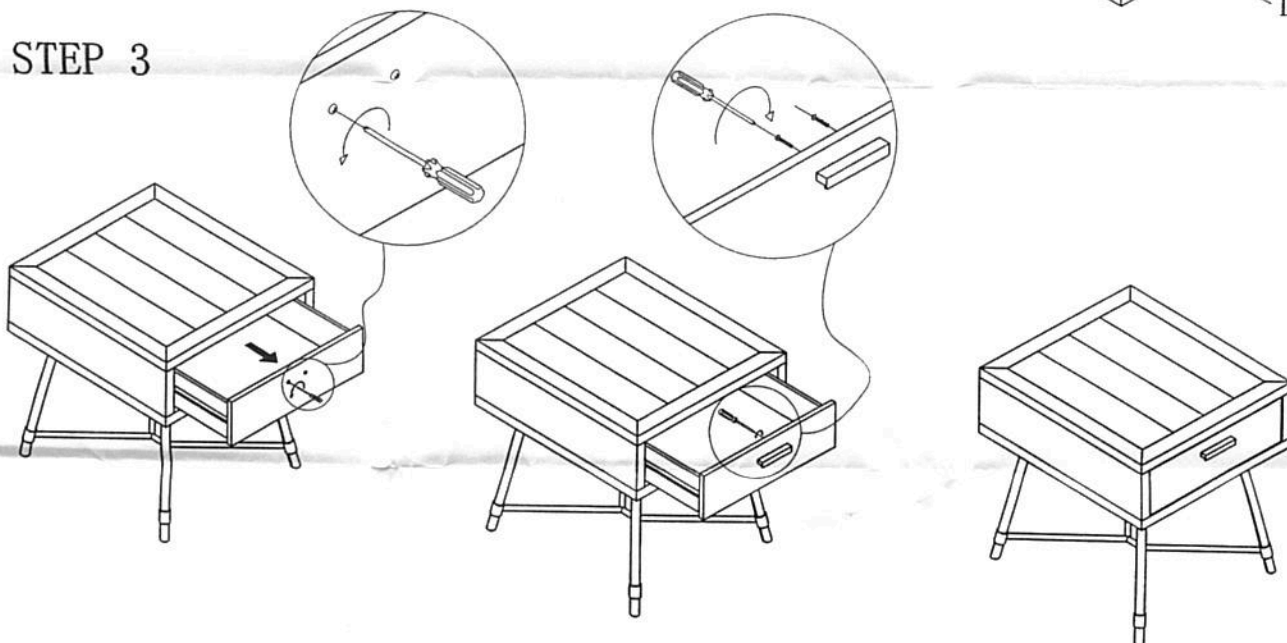
NO.	PART	DESCRIPTION	Q' TY
D		TABLE TOP	1
E		LEG	4
F		CONNECTING PIPE	1

STEP 1

STEP 2



STEP 3



MADE IN VIETNAM