

ASSEMBLY INSTRUCTION

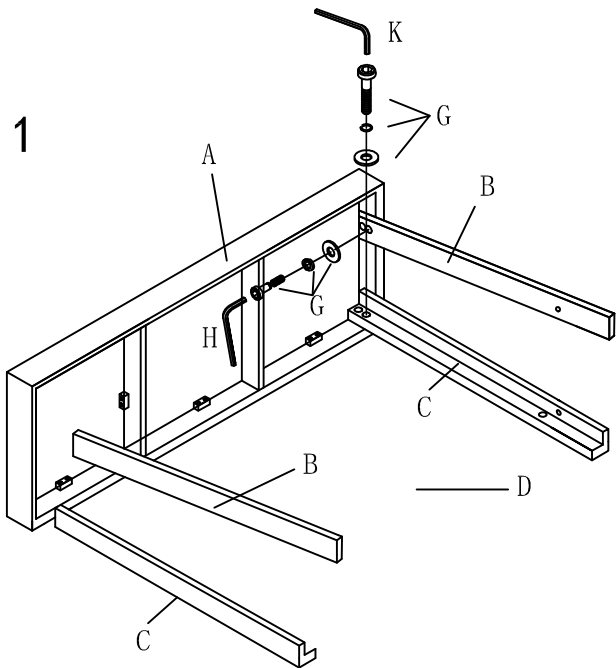
ALEK 1226-6 Sofa Bar Table

SKU: 23612268

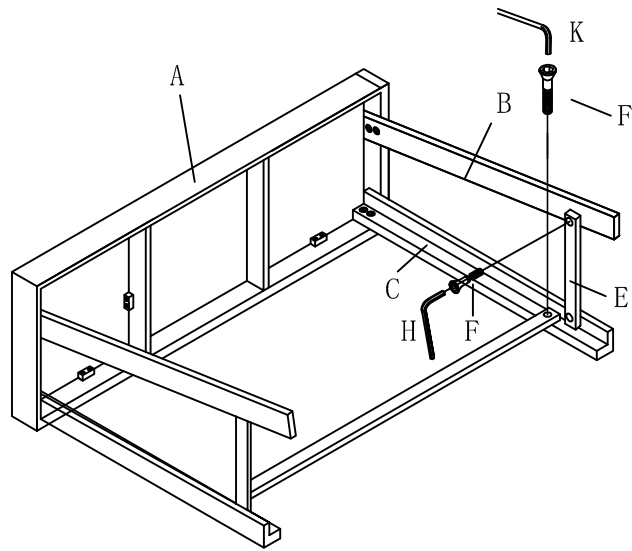
NO.	PART	DESCRIPTION	Q' TY
A		Top	1
B		Leg A	2
C		Leg B	2
D		BeamA	1
E		BeamB	2
F		5/16"X1-3/8" Bolt	6

NO.	PART	DESCRIPTION	Q' TY
G		5/16"X1-3/8" Bolt	8
H		Socket	1
I		Buckle	3
J		6#X12mm Screw	7
K		Allen key	1

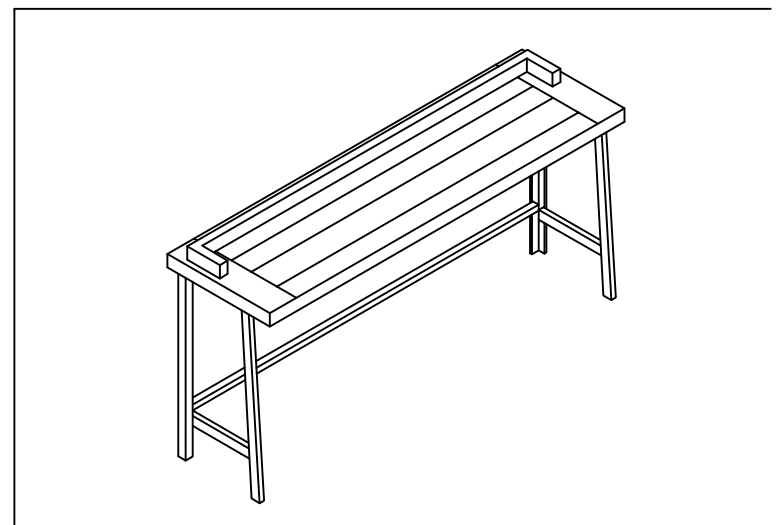
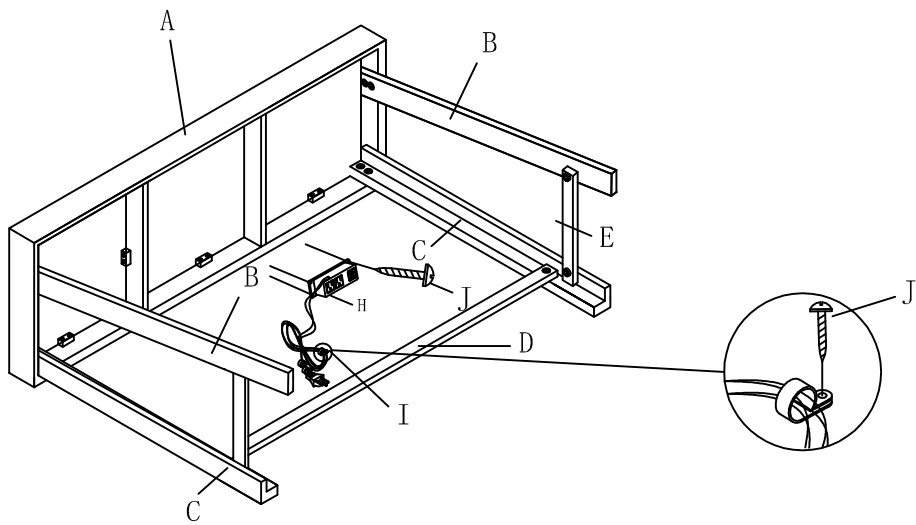
STEP 1



STEP 2



STEP 3



- Carefully all the parts from the carton and place them individually on a soft cloth.
- Attach LegA (B) to Top (A) use Bolt (G) tighten by Allen key (K), LegB (C) assembly way is the same with LegA (B) see the Step1
- Attach LegA (B) to FrameB (E) use Bolt (F) tighten by Allen key (K), LegB (C) to FrameB (E) assembly way is the same with LegA (B), Attach FrameA (D) to LegB (C) use Bolt (F) tighten by Allen key (K), Attach FrameA (D) to another LegB (C) with the same way, See the Step2
- Attach BeamA (D) to LegB (C) use Screw (F) tighten by Allen key (K), Fix Buckle (I) to wire use Screw (F) tighten by Allen key (K), See the Step3.
- Please tighten the Legs 100%.
- Enjoy you table for a long time to come.

MADE IN CHINA