

ASSEMBLY INSTRUCTION

ALEK 1226-7 Bar Stool

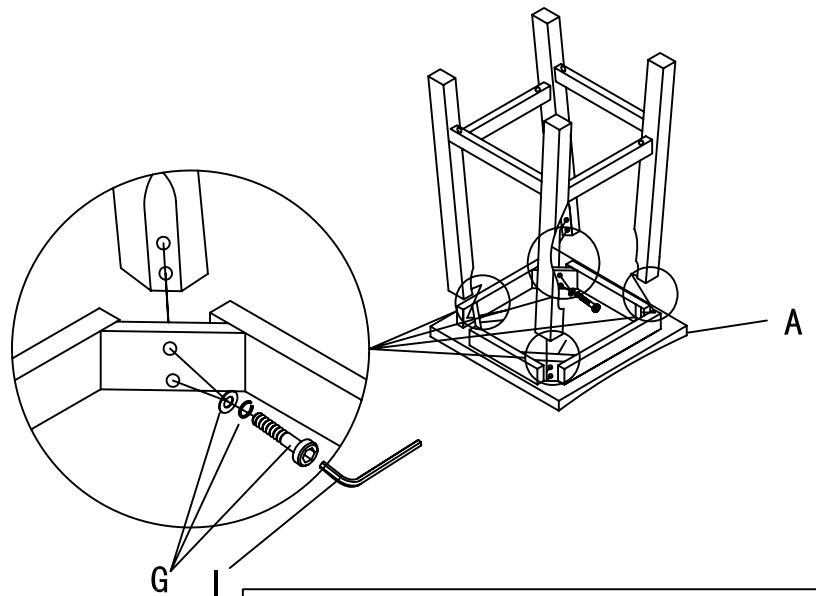
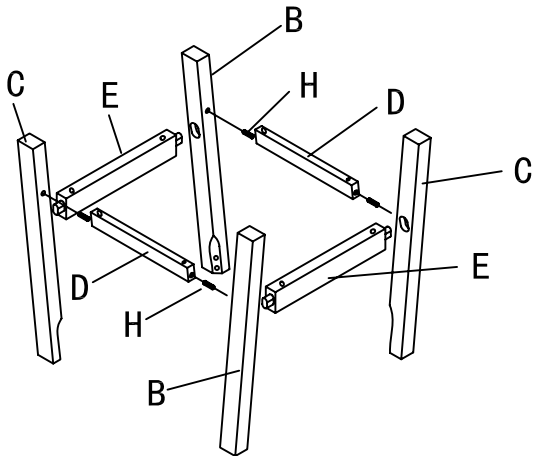
SKU: 23712260

NO.	PART	DESCRIPTION	Q' TY
A		TOP	1
B		Left Leg	2
C		Right Leg	2
D		Leg Connector1	2
E		Leg Connector2	2

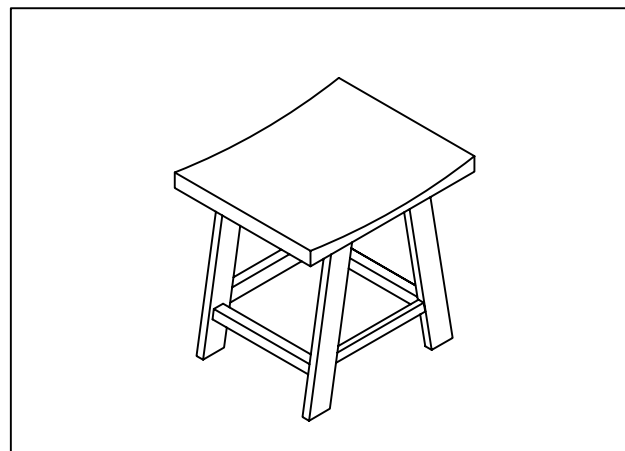
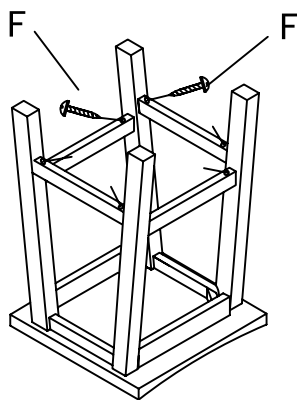
NO.	PART	DESCRIPTION	Q' TY
F		8#X1-3/4" Screw	4
G		5/16"X2" Bolt	8
H		10x40mm Muddy	4
I		Allen key	1

STEP 1

STEP 2



STEP 3



- Carefully remove all parts from the carton and place them individually on a sofa cloth.
- Attach Leg Connector1(D) & Leg Connector2(E) to Left Leg(B) use Tenon & Muddy(H), Attach Leg Connector1(D) & leg Connector2(E) to Right Leg(C) use the same way with Left Leg(B) See Step 1.
- Attach Left Leg(B) & Right Leg(C) to Top(A) Use Bolt(G) tighten by Allen key(I) See Step 2 .
- Locking the Frame composed of Left Leg(B) & Right Leg(C) & Leg Connector1(D) & Leg Connector2(E) use Screw(F) tighten by the screwdriver See Step 3.
- Tighten the legs 100%.
- Enjoy your table for a long time to come.

MADE IN CHINA