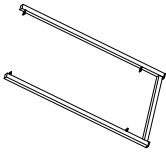
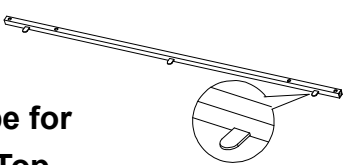
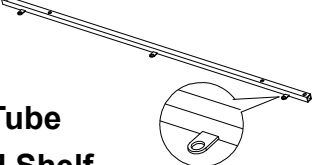

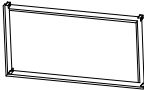



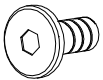


Manufactured By HMNF For Rooms To Go

Thank you for your purchase. Before discarding packaging material be sure you have located all the parts including the necessary hardware and tools listed on the instruction sheet below.

Parts List

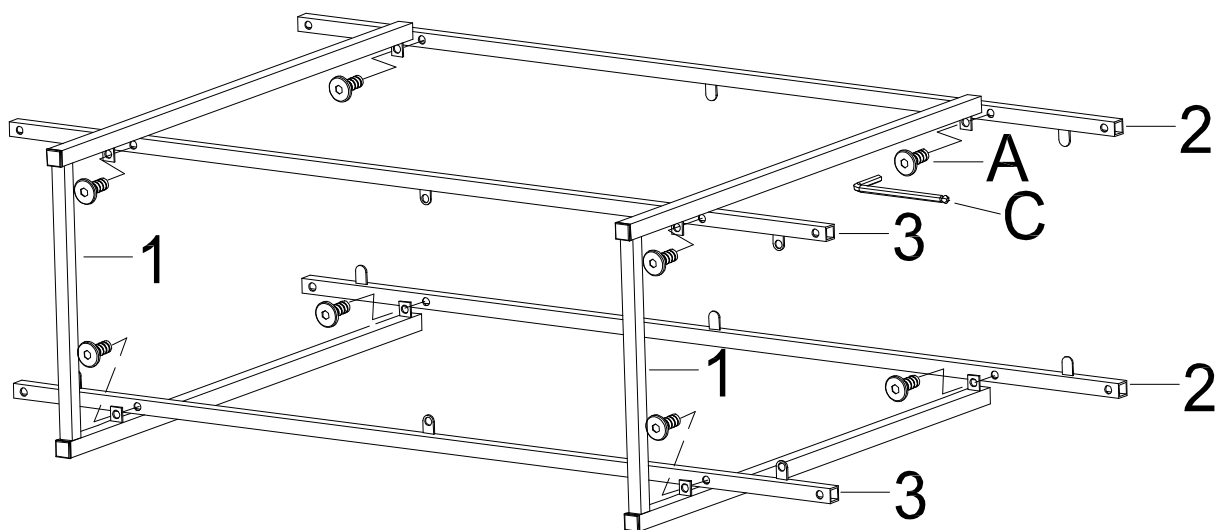
<p># 1 2pcs Center Frame</p> 	<p># 2 2pcs Top Tube for Glass Top</p> 	<p># 3 2pcs Bottom Tube for Wood Shelf</p> 
<p># 4 1 pc Wood Shelf</p> 	<p># 5 2pcs Side Panel</p> 	<p># 6 1pc Glass Top</p> 

Hardware List

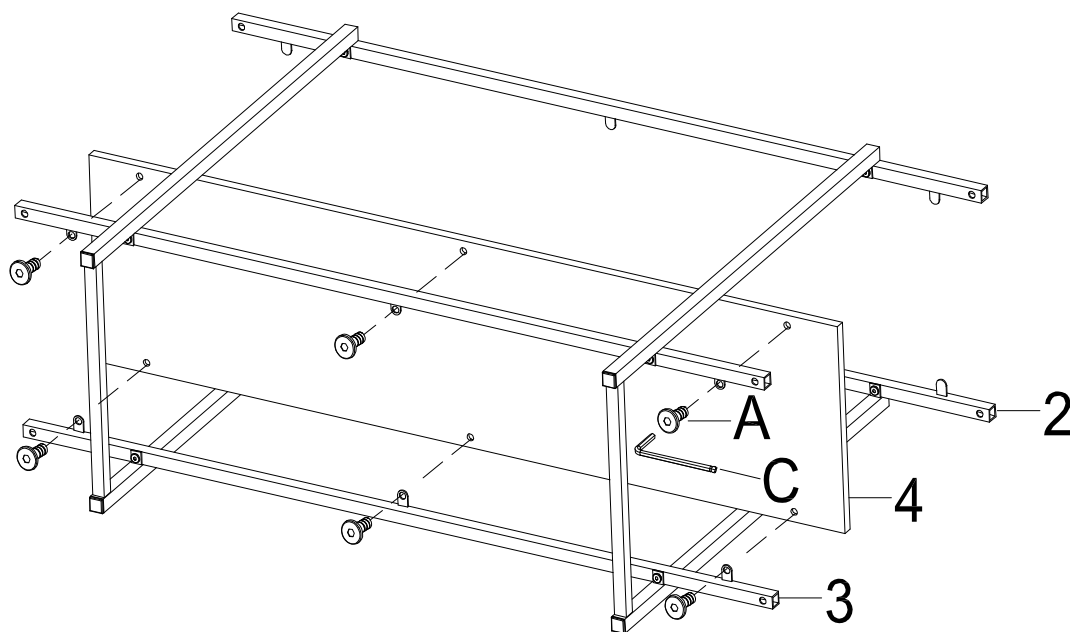
No	Figure	Description	QTY	No	Figure	Description	QTY
A		Pan Bolt 1/4" x 20 x 1/2"	22	C		4mm Hex Allen Wrench	1
B		10mm Ø Glass Tips x 20 x 1/2"	6				

Please do not tighten any bolt firmly before you put all of them in place.

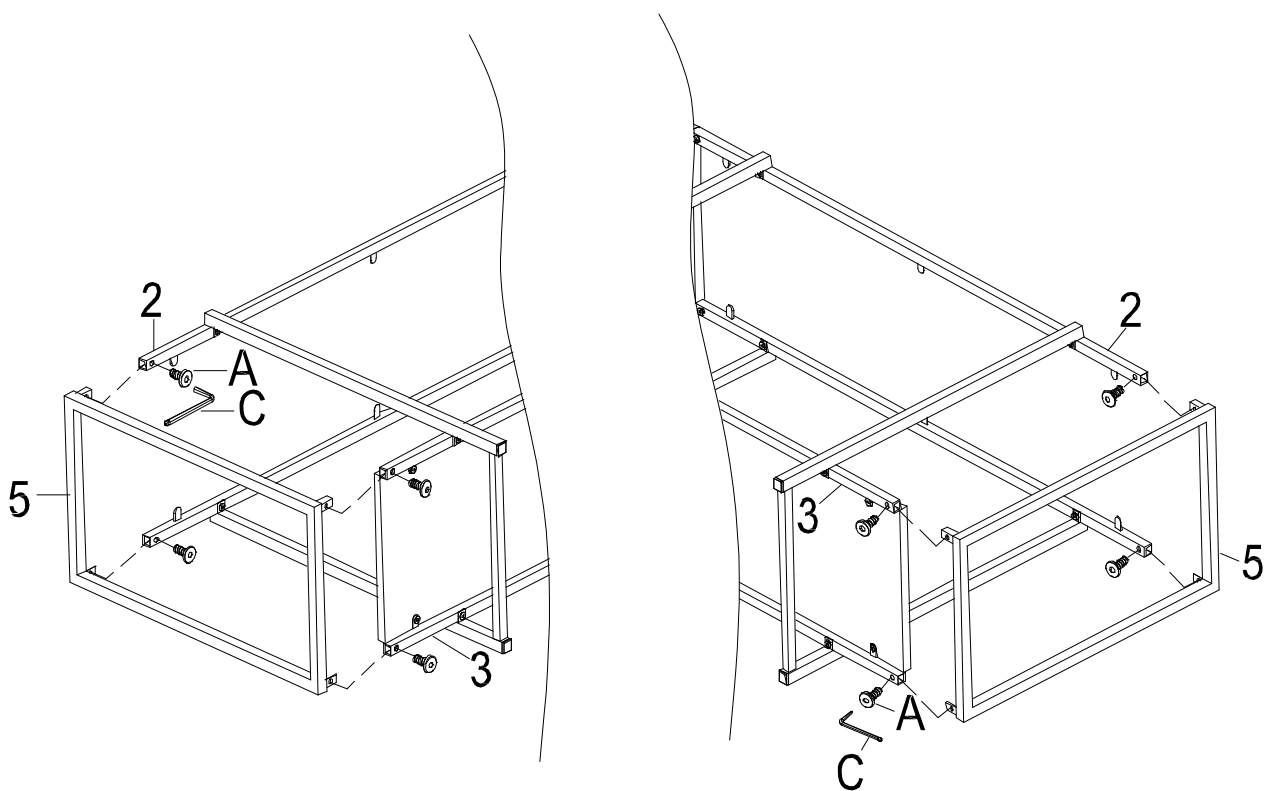
Step 1) Put all parts on a soft surface to prevent scratches. Attach top tube (#2) and bottom tube (#3) to center frame (#1) by using bolt (A) as shown.



Step 2) Attach wood shelf (#4) to bottom tube (#3) by using bolt (A) as shown.



Step 3) Attach 2 side frames (#5) to 2 sides of top tube (#2) and bottom tube (#3) by using bolt (A) as shown then tighten all bolts firmly.



Step 4) Turn the table upside down and put glass tips (B) onto metal frame as shown, insert glass top (#6) in frame as shown carefully. Your perfect table is completed.

