

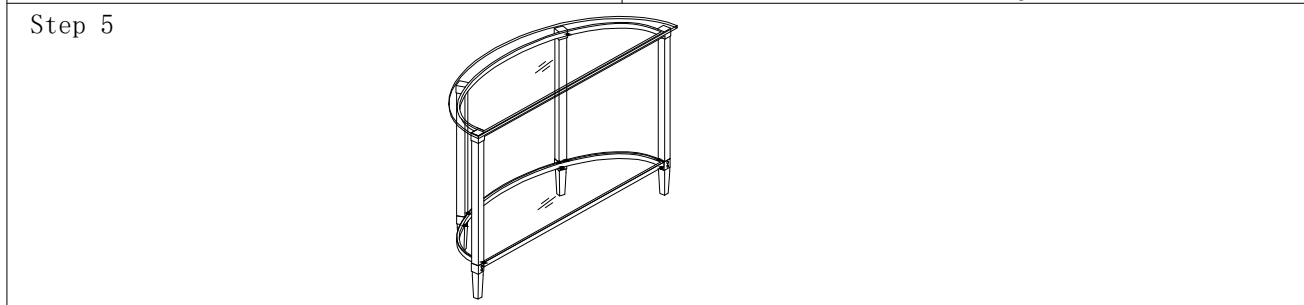
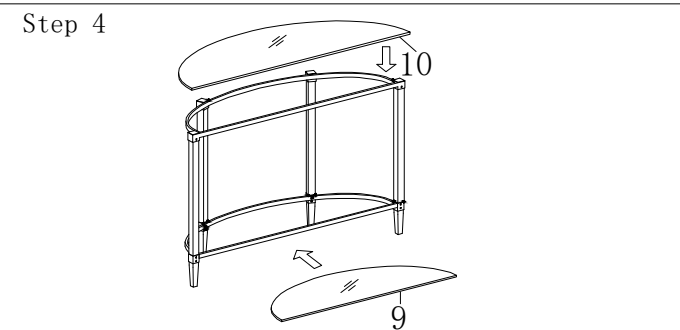
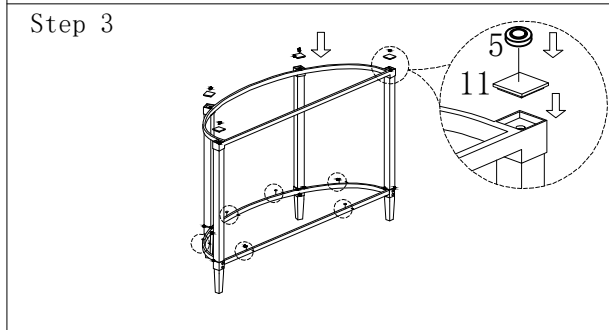
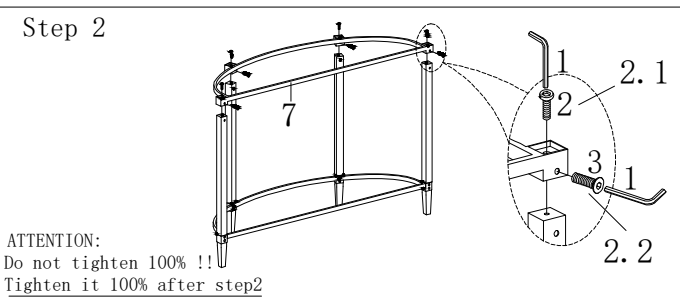
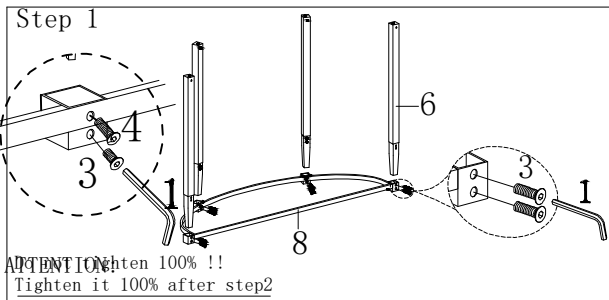


Manufactured for Rooms To Go

**SKU:23811311**  
**ALEK 1129-8 SOFA TABLE**  
**ASSEMBLY INSTRUCTION**

Thank you for purchasing this quality product. Be sure to check all packing material carefully for small parts which may have come loose inside the carton during shipment. Identify and count all parts and compare with the Parts list below:

No.	PART	DESCRIPTION	Q. TY
1		Allen Wrench:M4	1
2		Bolt:1/4"*5/8" (20 Threads per inch)	4
3		Bolt:1/4"*1/2" (20 Threads per inch)	10
4		Bolt:1/4"*1" (20 Threads per inch)	2
5		Antiskid Pad	4
6		Leg	4
7		Top frame	1
8		Bottom frame	1
9		Bottom glass	1
10		Top glass	1
11		Metal cap	4



**ASSEMBLY INSTRUCTION**

- Carefully unwrap the furniture and place all parts on a clean soft blanket.
- Using Bolt (3) (4) and Allen Wrench (1) to assembly Leg (6) and Bottom frame (8) as step 1.
- Using Allen Wrench (1) and Bolt (2) (3) to fasten the Top frame (7) as step 2.
- Using Antiskid Pad (5) and Metal cap (11) to the Top frame (7) as step 3.
- Put the Top glass (10) to the Top frame (7) and Bottom glass to the Bottom frame (8) as step 4.
- Enjoy your table for a long time to come.

MADE IN CHINA