
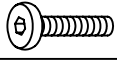
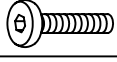

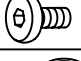





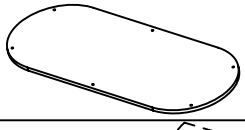
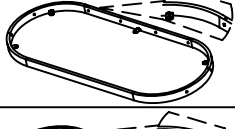




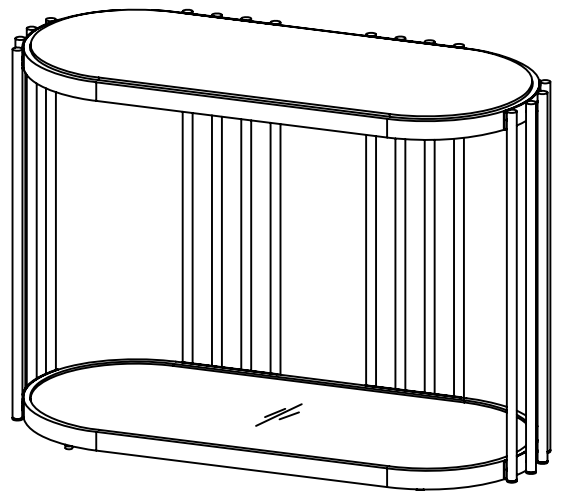


Step	Code	Hardware	QTY
	A	Allen Key 4mm 	1 Pc
1	B	Bolt 1/4" x 20 x 1-1/8" 	8 Pcs
2	B	Bolt 1/4" x 20 x 1-1/8" 	8 Pcs
3	C	Leveler 	4 Pcs
4	D	Bolt 1/4" x 20 x 1/2" 	6 Pcs
5	E	Sucker 	6 Pcs
6	F	Safety Strap 	2 Pcs
6	G	Plastic Bracket 	2 Pcs
6	H	Anchor 	4 Pcs
6	I	Screw 	4 Pcs

Parts List

NO	Description	Sketch	QTY
①	Table Top		1 Pc
②	Top Frame		1 Pc
③	Bottom Frame		1 Pc
④	Curved Side Frame		2 Pcs
⑤	Flat Side Frame		2 Pcs
⑥	Glass		1 Pc

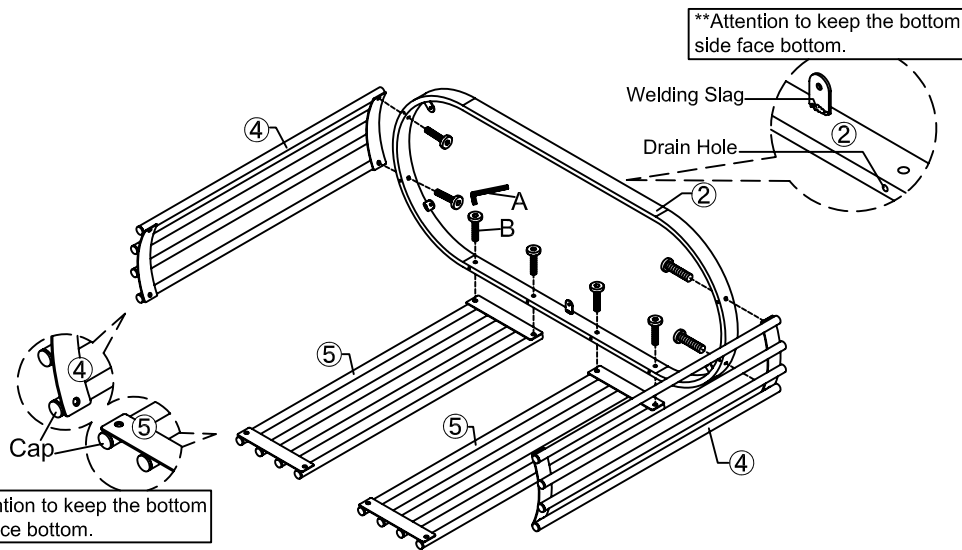


Hardware Pack Location(s):

CONSOLE TABLE, SKU# 23813997

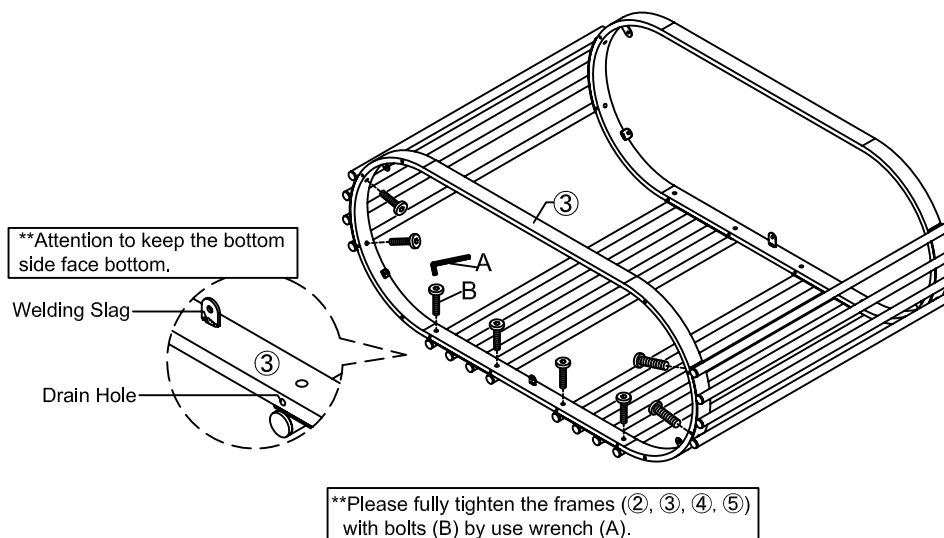
*****Caution:** Please read all instructions carefully before starting the assembly process. These parts are cumbersome and heavy. Therefore, two people are recommended in order to prevent personal injury and insure the parts are not damaged during the assembly.

STEP1:



Assembly side frames (4 & 5) to the top frame (2) with bolts (B) by use of Allen key (A).

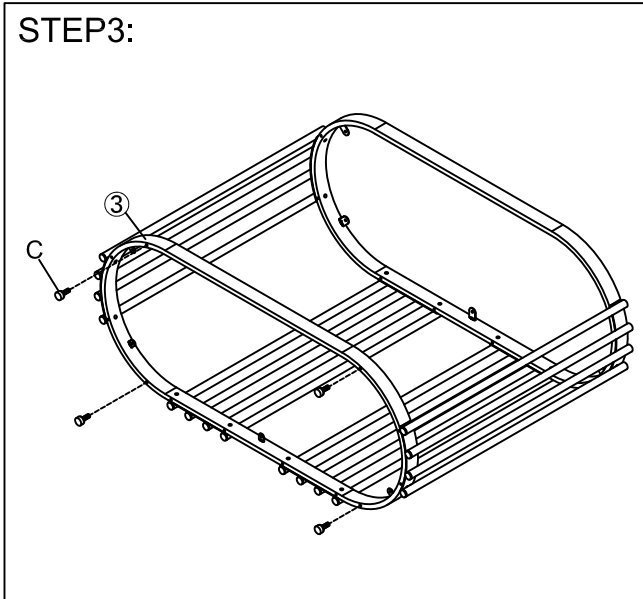
STEP2:



Assembly bottom frame (3) to side frames (4 & 5) with bolts (B) by use of Allen key (A).

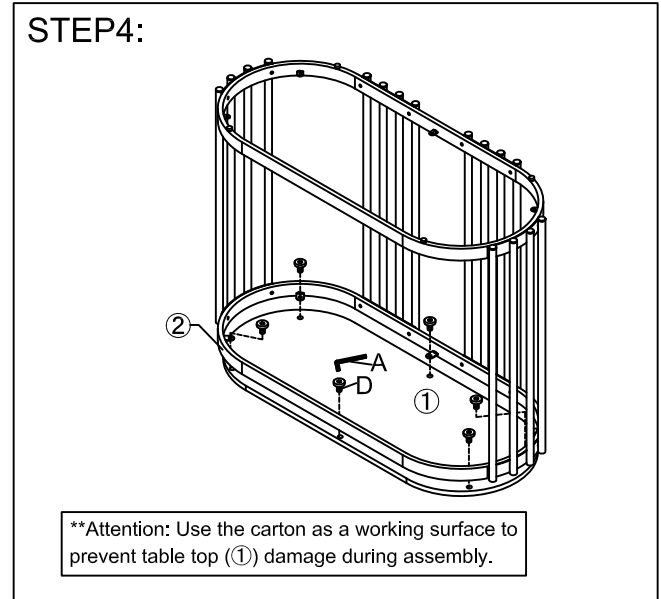
***Caution: Please read all instructions carefully before starting the assembly process. These parts are cumbersome and heavy. Therefore, two people are recommended in order to prevent personal injury and insure the parts are not damaged during the assembly.

STEP3:



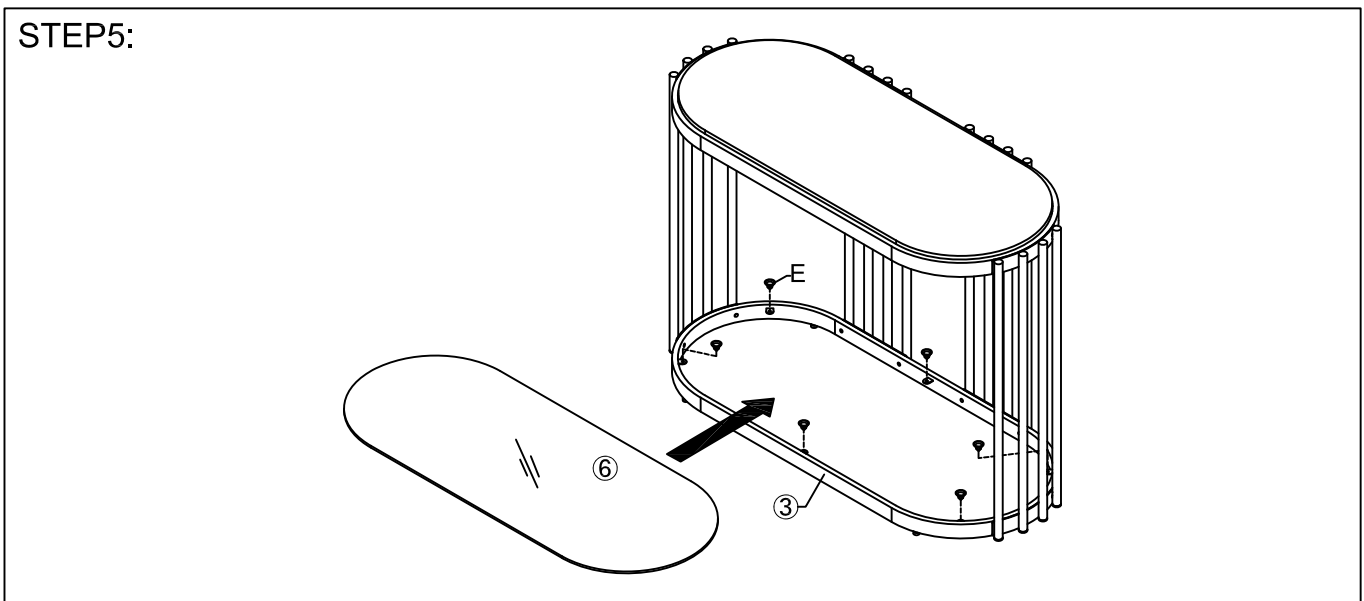
Screw the levelers (C) into the threaded holes on bottom frame (3).

STEP4:



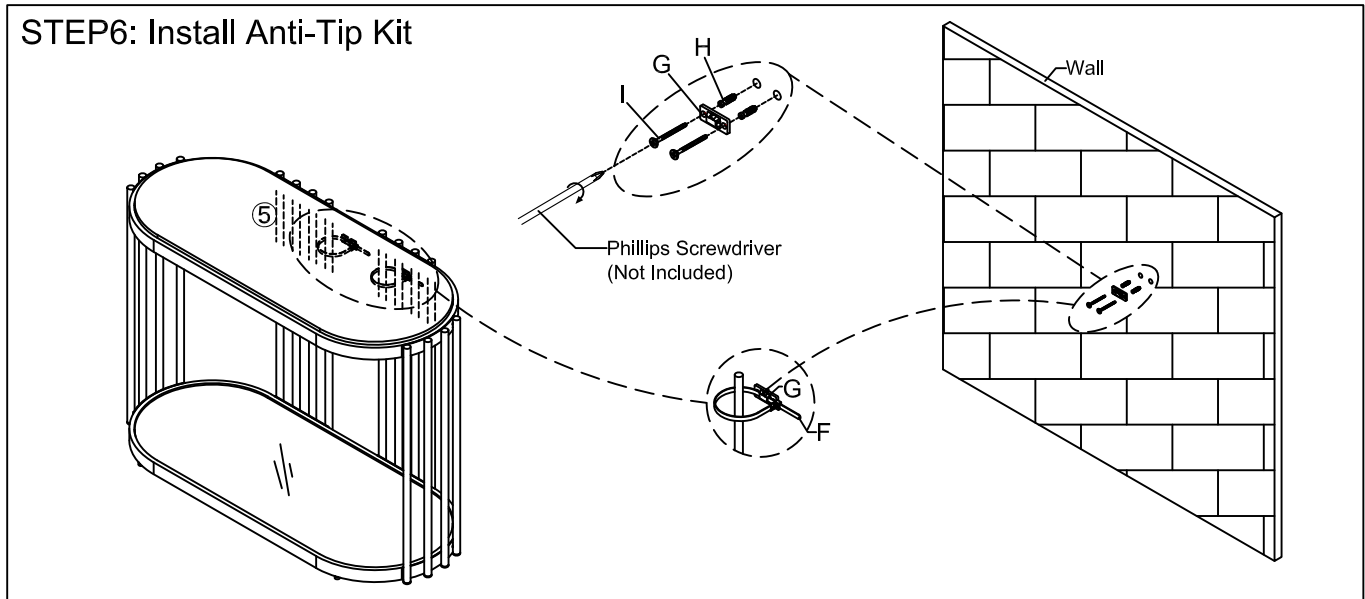
Assembly top frame (2) to table top (1) with bolts (D) by use of Allen key (A).

STEP5:

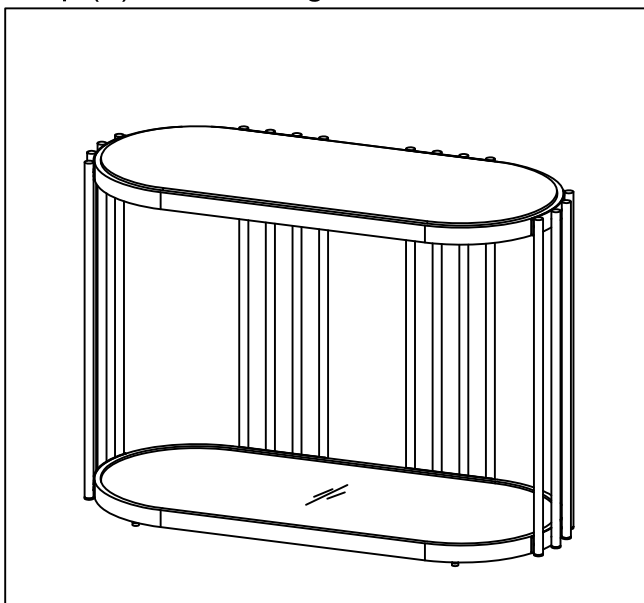


Insert suckers (E) onto bottom frame (3), then, place the glass (6) onto the assembled table.

*****Caution:** Please read all instructions carefully before starting the assembly process. These parts are cumbersome and heavy. Therefore, two people are recommended in order to prevent personal injury and insure the parts are not damaged during the assembly.



Mark the location on the wall for mounting plastic bracket (G). Drill a 3/8 inch hole in the wall and insert anchor (H). Secure the bracket (G) to the wall using the screw (I). Place the table so the the back side of unit is lined with the bracket (G) on the wall, then lace an end of the strap (F) down through the tube of the side frames (5) and the bracket (G) on the wall.



Assembly finish.