

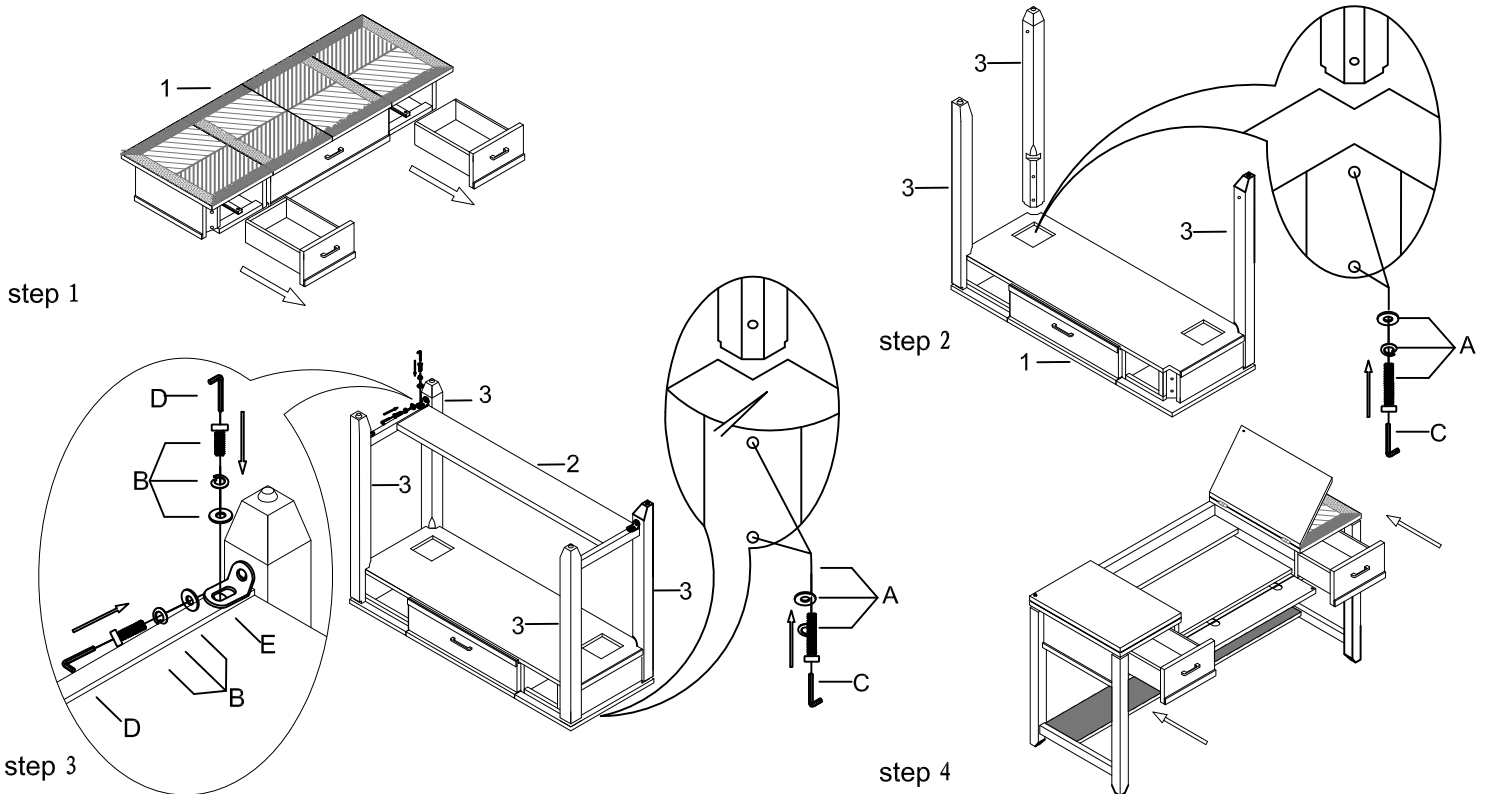
SPOL 1628-05 CONSOLE DESK (SKU#23816284)

ASSEMBLY INSTRUCTION

Thank you for purchasing this quality product. Be sure to check all packing material carefully for small parts which may have come loose inside the carton during shipment. Identify and count all parts and compare with the Parts list below:

HARDWARE LIST			
NO.	PART	DESCRIPTION	Q'TY
A		BOLT:Ø5/16"*2" (18 Threads per inch.)	8
		LOCK WASHER:Ø5/16"	8
		WASHER:Ø5/16"*19mm	8
B		BOLT:Ø1/4"*5/8"	8
		LOCK WASHER:Ø1/4"	8
		WASHER:Ø1/4"*16mm	8
C		ALLEN WRENCH:5mm	1
D		ALLEN WRENCH:4mm	1
E		IRON BRACKET	4

PARTS LIST			
NO.	PART	DESCRIPTION	Q'TY
1		TOP FRAME	1
2		SHELF	1
3		LEG	4



ASSEMBLY INSTRUCTION

- Carefully unwrap the furniture and place all parts on a clean soft blanket.
- Place the table top frame upside, pull out the drawers.As shown in step 1.
- Using A.C to attach 3pcs leg to the frame,but do not tighten 100%,as shown in step 2.
- Using A.C to attach the rest leg to the top frame, and the shelf to each leg by using D.B.E.Then tighten them all to100%, as shown in step 3.
- Turn over the table, take the drawers back into the top frame.As shown in step 4.
- Enjoy your table for a long time to come.

MADE IN CHINA