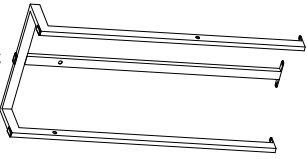
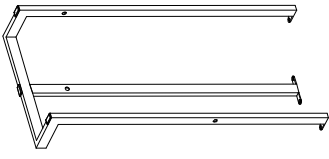
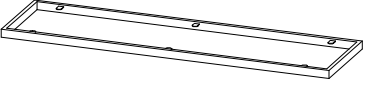
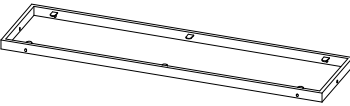
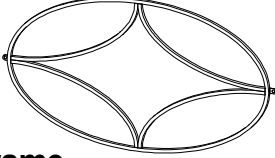
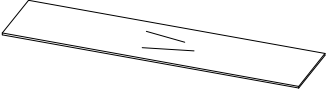
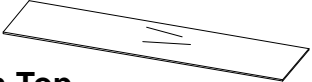






Thank you for your purchase. Before discarding packaging material be sure you have located all the parts including the necessary hardware and tools listed on the instruction sheet below.

### Parts List

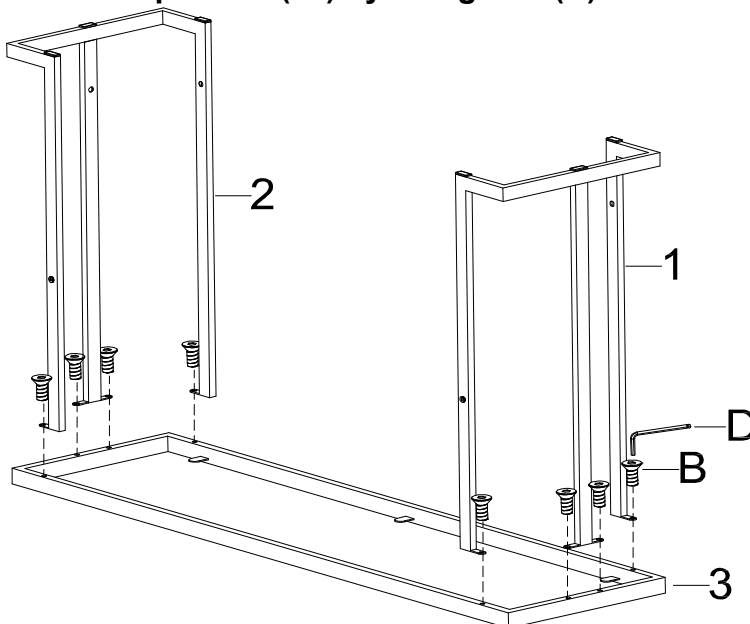
<p># 1 1pc</p>  <p>Right Side Frame</p>	<p># 2 1pc</p>  <p>Left Side Frame</p>	<p># 3 1pc</p>  <p>Metal Top Frame</p>
<p># 4 1pc</p>  <p>Metal Shelf Frame</p>	<p># 5 1pc</p>  <p>Metal Back Frame</p>	<p># 6 1pc</p>  <p>Glass Shelf</p>
<p># 7 1pc</p>  <p>Glass Top</p>		

### Hardware List

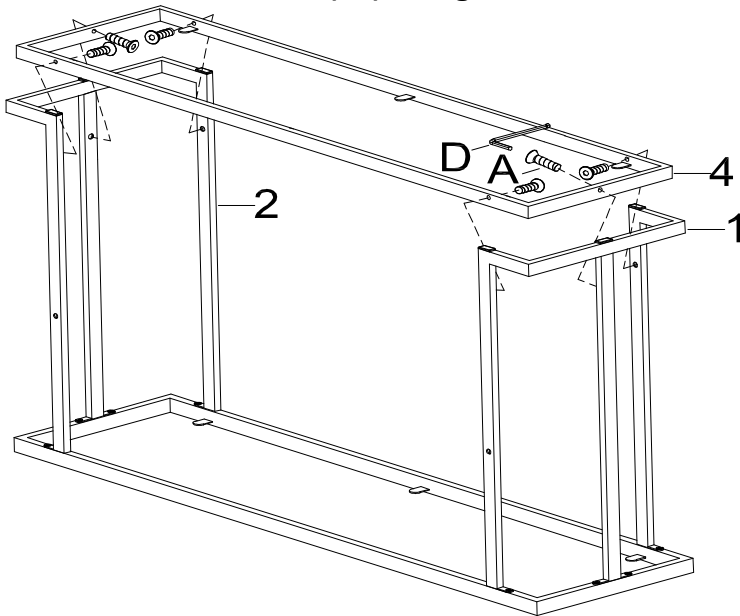
No	Figure	Description	QTY	No	Figure	Description	QTY
A		Tapered Bolt 1/4" x 20 x 7/8"	6	C		10mm Ø Glass Tips	12
B		Tapered Bolt 1/4" x 20 x 1/2"	10	D		4mm Hex Allen Wrench	1

Please do not tighten any bolt firmly before you put all of them in place.

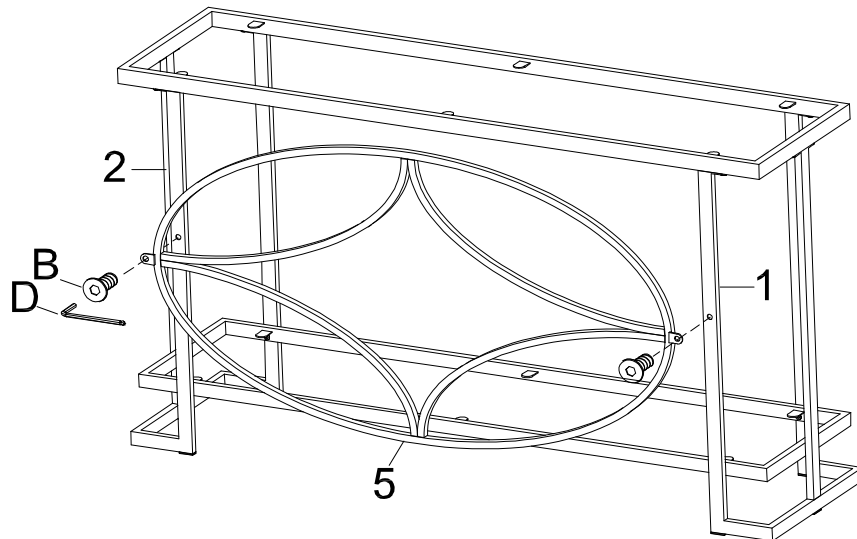
Step 1) Put all parts on a soft surface to prevent scratches. Attach right (#1) and left (#2) side frames to metal top frame (#3) by using bolt (B) as shown.



**Step 2) Attach metal shelf frame (#4) to right /left side frames by using bolt (A) as shown.**



**Step 3) Turn the table upside down then attach metal back panel (#5) to right / left side frames by using bolt (B) as shown then tighten all bolts firmly.**



**Step 4) Put glass tips (C) onto metal top frame (#1) and metal shelf frame (#4) as shown then put glass shelf (#6) and glass top (7) on frame as shown carefully. Your perfect table is completed.**

