





# Assembly Instructions

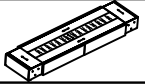


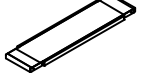
SPOL

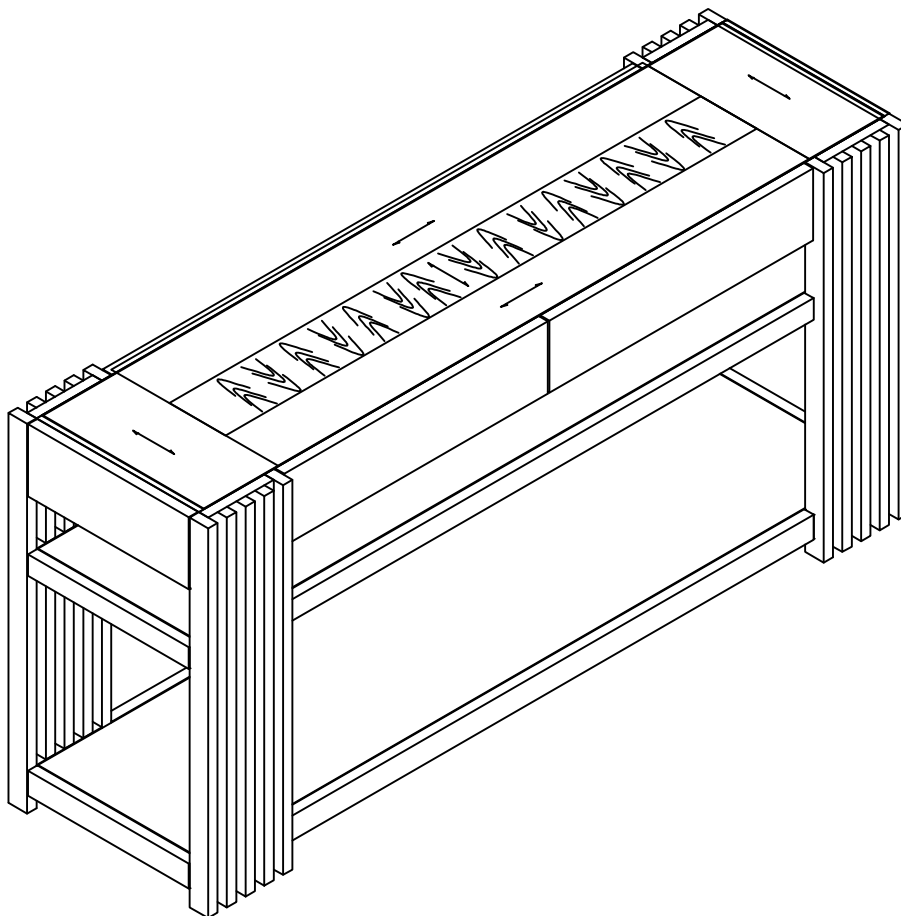
1932-05 MEDIA CONSOLE DARK COLOR

SKU#23819329

## PARTS LIST

Step	Code	Hardware		Q'TY
1	A	Allen Wrench 4 x 74 x 29mm		1pc
2	B	Bolt 1/4" x 1-3/8"		28pcs
		Spring Washer 1/4"xØ11x2mmT		
		Flat Washer 1/4"xØ16x2mm		

① Top-1pc	
② Leg-4pcs	
③ Top Shelf-1pc	
④ Bottom shelf (veneer parquet)-1pc	



HARDWARE PACK LOCATION(S):

1932-05 MEDIA CONSOLE DARK COLOR

SKU#23819329

PAGE 1 OF 2



# Assembly Instructions

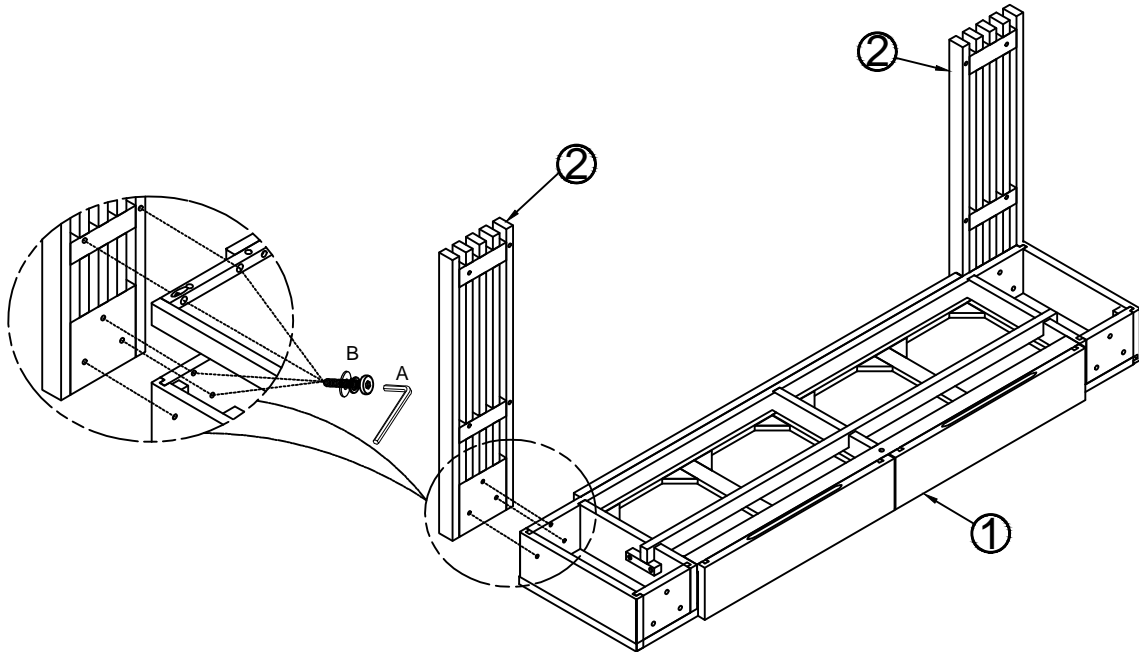
SPOL

1932-05 MEDIA CONSOLE DARK COLOR

SKU#23819329

\*\*\*Caution: Please read all instructions carefully before starting the assembly process. These parts are cumbersome and heavy. Therefore, two people are recommended in order to prevent personal injury and insure the parts are not damaged during the assembly.

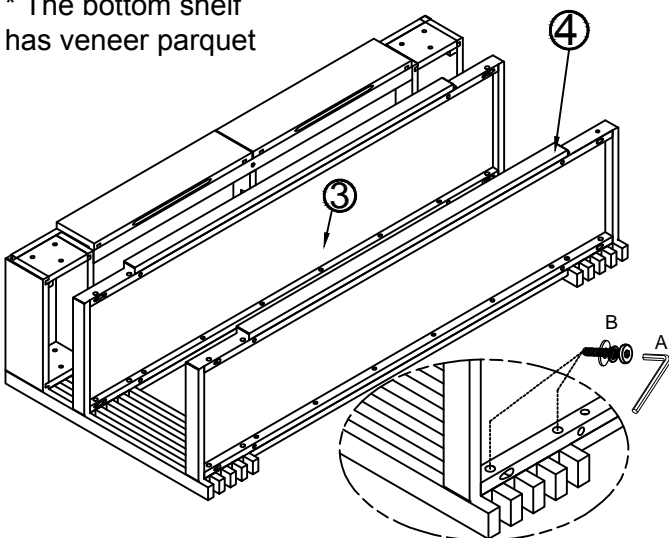
STEP: 1



Assemble 2 back legs to table top

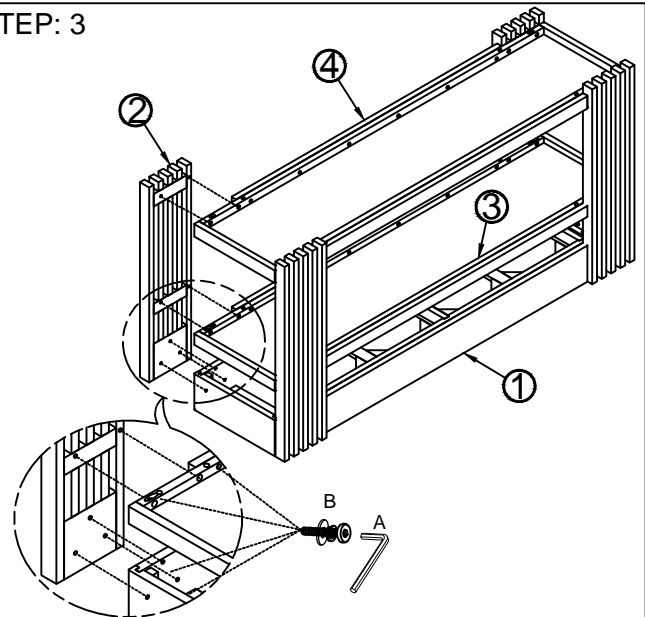
STEP: 2

\* The bottom shelf has veneer parquet



Assemble top/bottom shelves to the top assembly

STEP: 3



Attach the other 2 legs to top and shelves. Assembly completely