

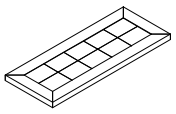
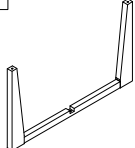
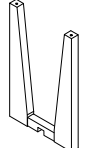
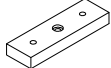


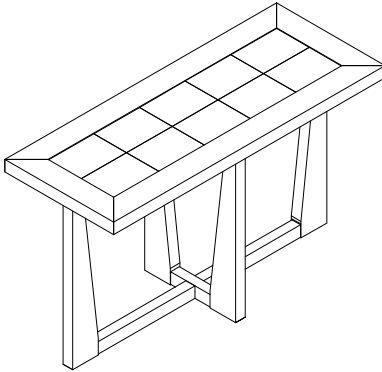
ASSEMBLY INSTRUCTION

TCHI JD200-03 SOFA TABLE SKU#23822023






*** Thank you for purchasing this quality product. Be sure to check all packing materials carefully for small parts which may have come loose inside the carton during shipment. Identify and count all parts and compare with the parts list below.

PARTS LIST

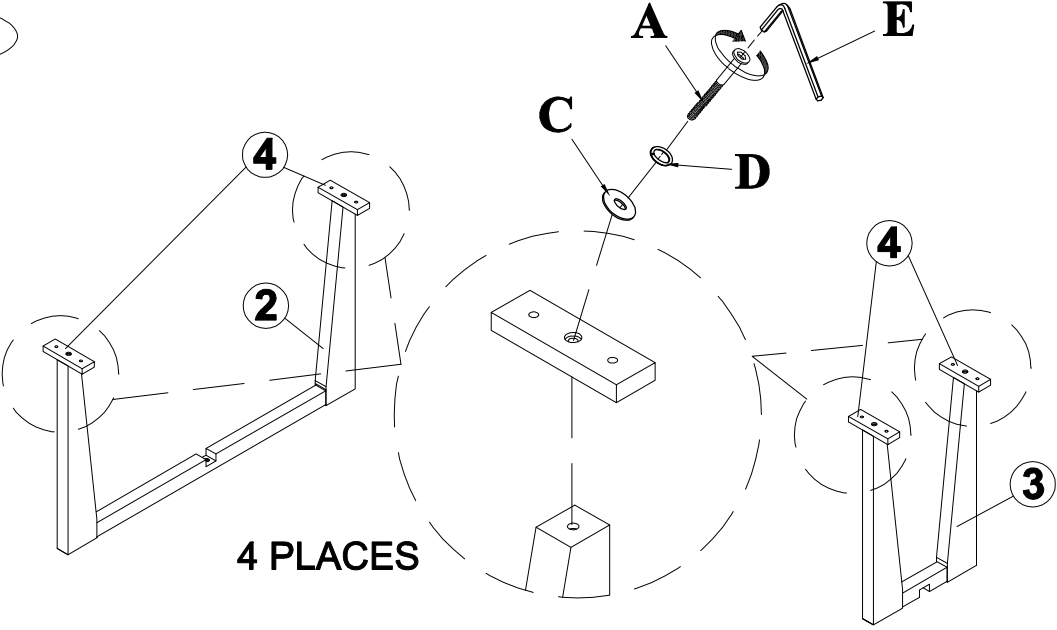
<p>1</p> 	<p>2</p> 	<p>3</p> 	<p>4</p> 
<p>TABLE TOP: 1PC</p>	<p>SIDE LEG FRAME: 1PC</p>	<p>FRONT LEG FRAME: 1PC</p>	<p>MOUNTING PLATE: 4PCS</p>



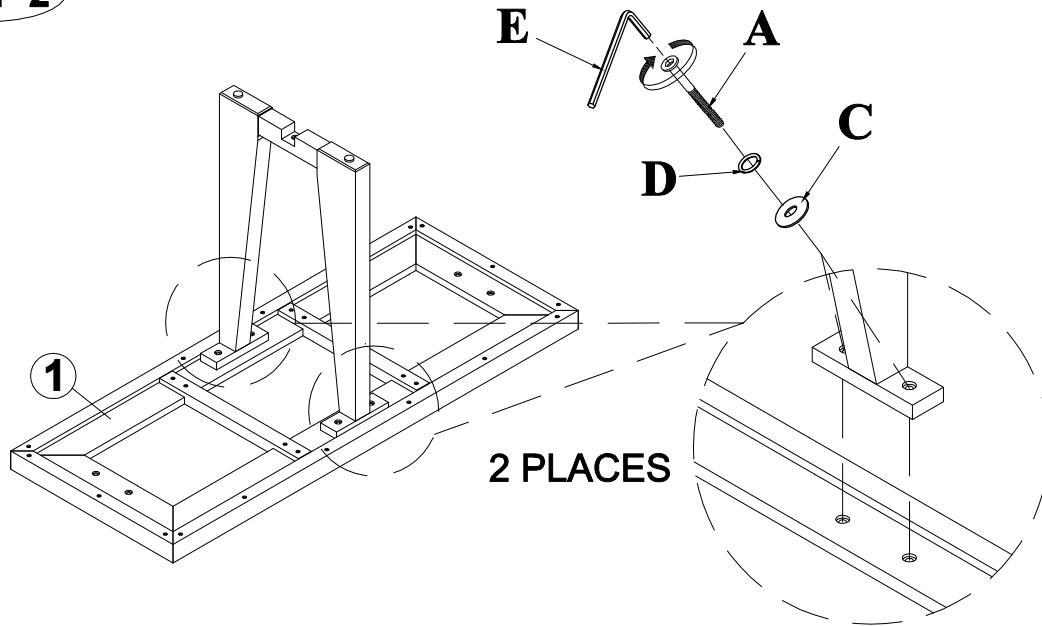
HARDWARE LIST

<p>A</p> 	<p>B</p> 	<p>C</p> 	<p>D</p> 	<p>E</p> 
<p>Bolt: 5/16" * 1-3/8" : 12PCS</p>	<p>Bolt: 1/4" * 1-5/8" : 1PC</p>	<p>Flat Washer: ϕ5/16" * 14: 13PCS</p>	<p>Block Washer: ϕ5/16": 13PCS</p>	<p>Allen Wrench: 1PC</p>

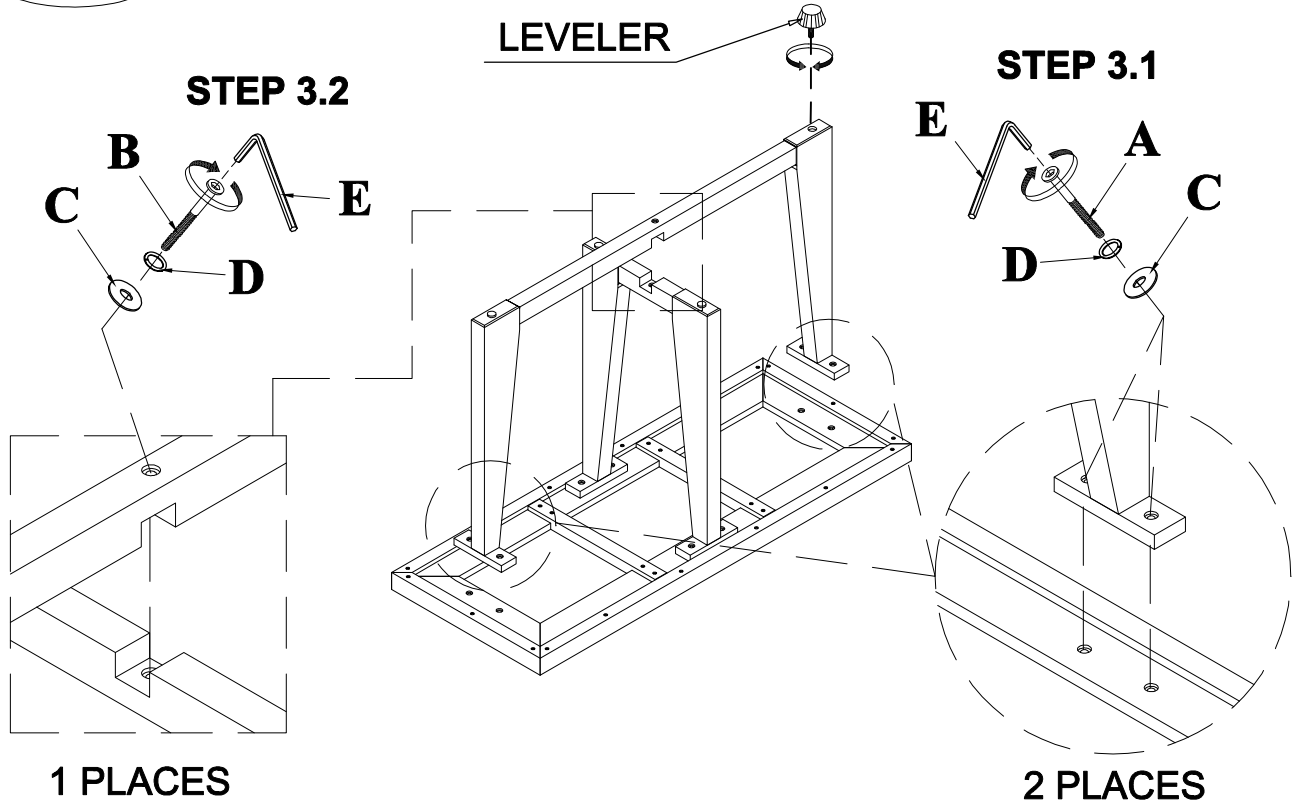
STEP 1



STEP 2



STEP 3



NOTE: TABLES HAVE BASE LEVELERS TO COMPEN SATE FOR UNEVEN FLOORS.

CLEANING INSTRUCTION: Clean with a soft cloth and warm water with a diluted mild detergent. Follow with a soft cloth and clear water rinse, then dry thoroughly with a soft cloth.