

Assembly Instructions

FRNR 2128-07
2129-07
Sofa table

SKU# 23822287
SKU# 23822299

Manufactured By FRNR For Rooms To Go

Version: 1.0

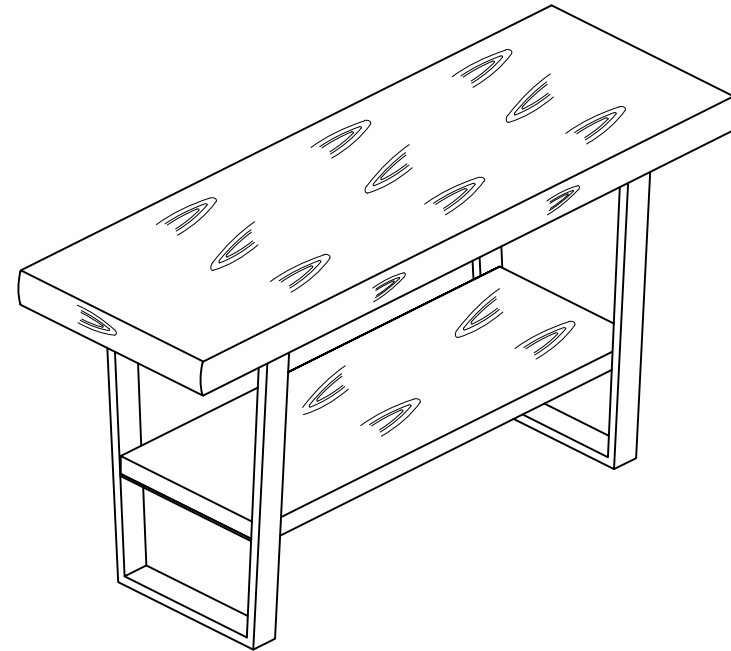
1/2025

Hardware List

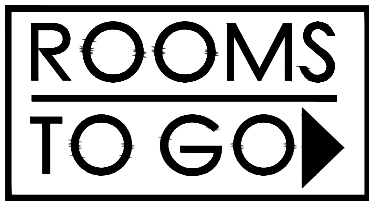
Step	Code	Description	Q'TY
1	A	Flat Washer $\varnothing 16 \times 1.5 \text{mm}$	4Pcs
		Spring Washer $\varnothing 13 \times 2.5 \text{mm}$	4Pcs
		Bolt M8X30mm	4Pcs
1	B	Allen Key 6mm	1Pc
2	C	Flat Washer $\varnothing 16 \times 1.5 \text{mm}$	4Pcs
		Spring Washer $\varnothing 13 \times 2.5 \text{mm}$	4Pcs
		Bolt M8X40mm	4Pcs

Part List

Step	Code	Description	Q'TY
1	1	Frame	2Pcs
1	2	Shelf	1Pc
2	3	Top	1Pc



Hardware Pack Location(s):
Sofa table, SKU# 23822287
SKU# 23822299



Assembly Instructions

FRNR

2128-07
2129-07
Sofa table

SKU# 23822287
SKU# 23822299

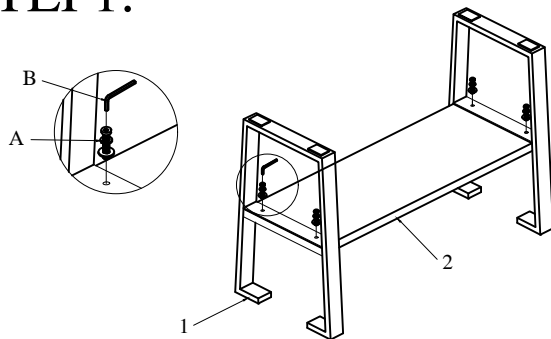
Manufactured By FRNR For Rooms To Go

Version: 1.0

1/2025

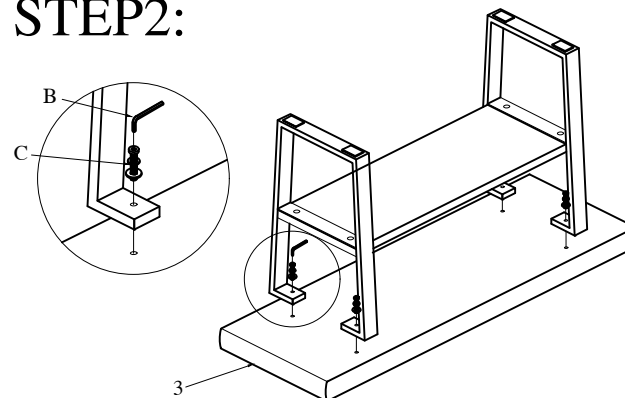
***** Caution:** Please read all instructions carefully before starting the assembly process. These parts are cumbersome and heavy. Therefore, two people are recommended in order to prevent personal injury and insure the parts are not damaged during the assembly

STEP1:



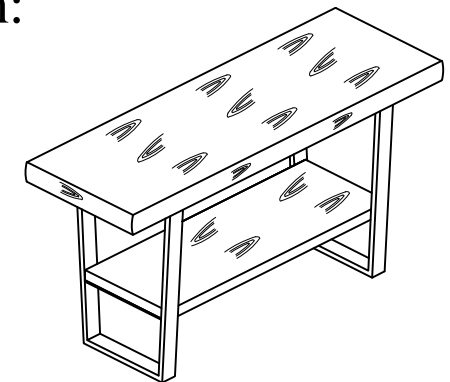
Lay the metal frames upside down on a carpeted or protective surface, to avoid damage. Attach the shelf between the two frames by using the provided screws.

STEP2:



Lay the table top upside down, on a carpeted or protective surface, to avoid damage. Attach the legs, using the provided screws and washers, aligning the holes, into the threaded inserts; tighten securely.

Finsh:



Stand the table upright.