



# ASSEMBLY INSTRUCTION

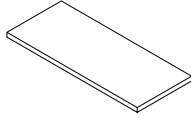
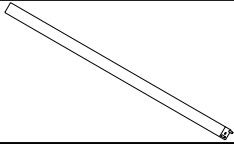


## YVFC 2535-05 SOFA TABLE - SKU#: 23825358

Manufactured by YVFC for Rooms To Go

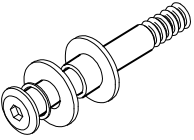
Version: #1 - 08/07/2025

**\*\*\* Caution : Please read all instructions carefully before starting the assembly process. These parts are cumbersome and heavy. Therefore, two people are recommended in order to prevent personal injury and insure the parts are not damaged during the assemble.**

### PARTS LIST:

NO	DESCRIPTION	SKETCH	QTY
A	TABLE TOP		1 PC
B	STRETCHER		1 PC
C	X FRAME LEGS		2 PCS
D	WOODEN BUTTON		2 PCS

### HARDWARE PACKAGE

NO	Hardware List			QTY
1		ø1/4" x 20 x 1-1/2"L Allen Bolt	PRE-INSTALLED	8 pcs
		ø1/4" x 1.5mm Spring washer	PRE-INSTALLED	8 pcs
		ø1/4" x ø22 x 1.5mm Flat washer	PRE-INSTALLED	8 pcs
2		Allen key 4 x 74 x 30mm		1 pc

### Hardware Pack Location:

**YVFC 2535-05 SOFA TABLE - SKU#: 23825358**

**CLEANING INSTRUCTION:** Clear with a soft cloth and warm water with a diluted mild detergent. Follow with a soft cloth and clear water rinse. Then dry thoroughly with a soft cloth.



# ASSEMBLY INSTRUCTION

YVFC 2535-05 SOFA TABLE - SKU#: 23825358

Manufactured by YVFC for Rooms To Go

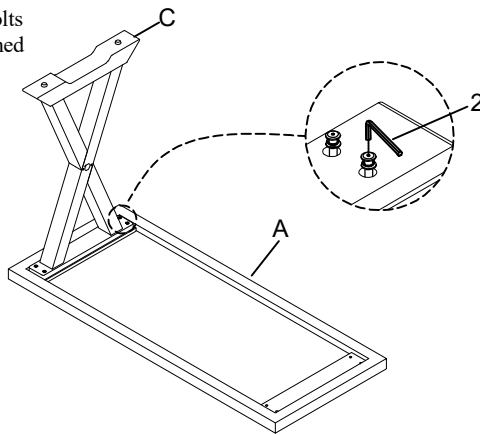
Version: #1 - 08/07/2025

**\*\*\* Caution :** Please read all instructions carefully before starting the assembly process. These parts are cumbersome and heavy. Therefore, two people are recommended in order to prevent personal injury and insure the parts are not damaged during the assemble.

**STEP 1:** Place the top (A) upside down on a soft surface such as a carpet to protect against scratches. Attach the X frame legs (C) to the top (A) by using allen key (2).

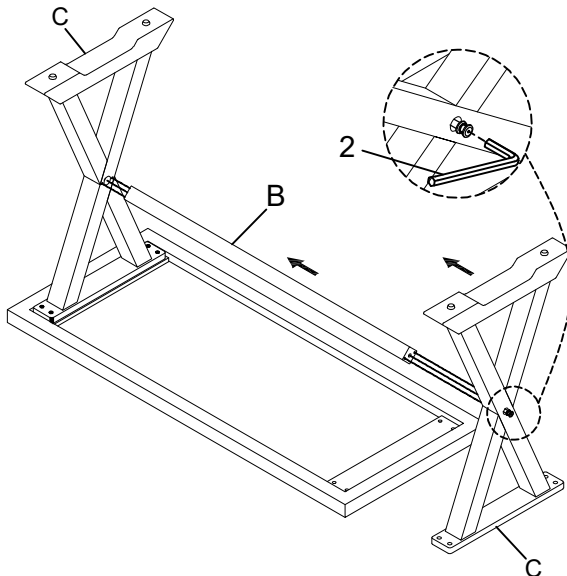
DO NOT tighten all the bolts until the assembly is completed.

Remark: the bolts were pre-attached

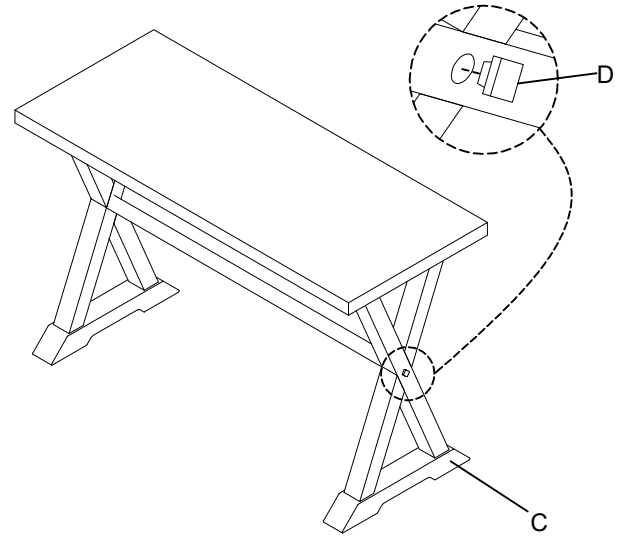


**STEP 2:** Attached the stretcher (B) to the X frame legs (C) by using allen key (2)

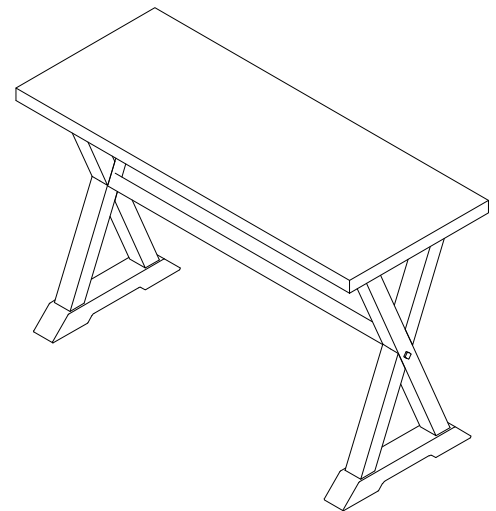
Remark: 2 people required to assemble.



**STEP 3:** Attach wooden button (D) to both X frame legs (C).



**COMPLETE:**



Hardware Pack Location:

YVFC 2535-05 SOFA TABLE - SKU#: 23825358

**CLEANING INSTRUCTION:** Clear with a soft cloth and warm water with a diluted mild detergent. Follow with a soft cloth and clear water rinse. Then dry thoroughly with a soft cloth.