



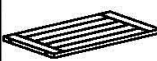









ASSEMBLY INSTRUCTION

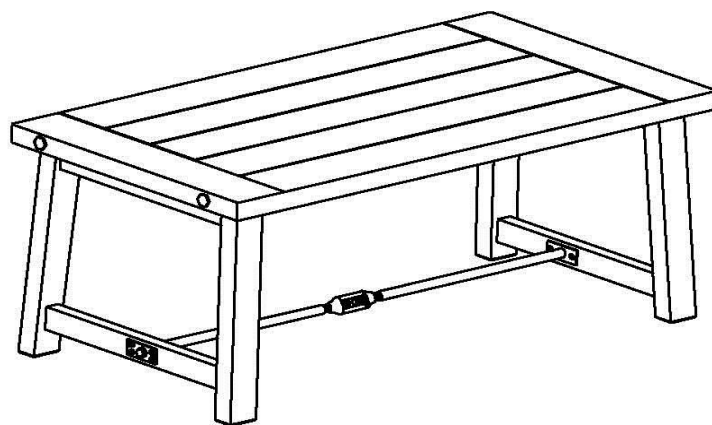
GLOB 1866-1 COCKTAIL TABLE SKU#22118663

Thank you for purchasing this quality product. Be sure to check all packing material carefully for small parts, which may have come loose inside the carton during shipment. Identify and count all parts and compare with the **HARDWARE LIST** below.

Caution: Please read instructions thoroughly before unpacking assembly parts. Sharp exposed staple tips can cause injury, therefore, for your protection, please remove any exposed staples used in packing.

1. We recommend that you should assemble this product with the assistance of another person; this will make assembly easier, and will help to eliminate damage to the product or injury to persons during assembly.
2. Please do not over tighten screws or bolts until the assembly is completed.
3. Please put all parts on a non - abrasive floor before assembly, and follow the assembly steps to assemble your newly purchased product correctly and efficiently.

NO.	Parts List		Q' TY	NO.	Hardware list	Q' TY
A		Top	1	1	 Bolt Ø5/16" x 18 x 3/4"L	4
B		Leg	2		 Lock washer 5/16"xØ12x2mmT	4
					 Flat washer Ø5/16" x Ø19x2mmT	4
C		Metal stretcher	1	2	 Bolt Ø5/16" x 18 x 2"L	6
					 Lock washer 5/16"xØ12x2mmT	6
					 Flat washer Ø5/16" x Ø19x2mmT	6
3					Allen wrench	1

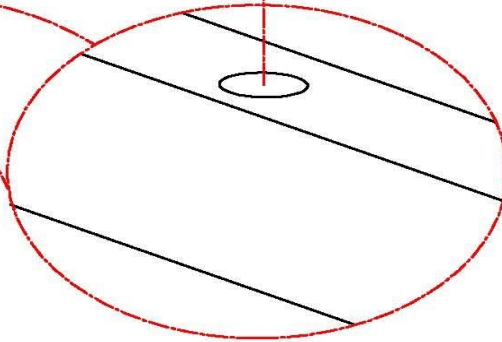
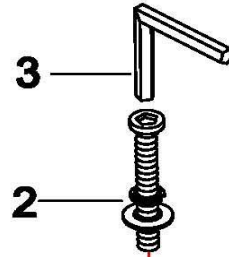
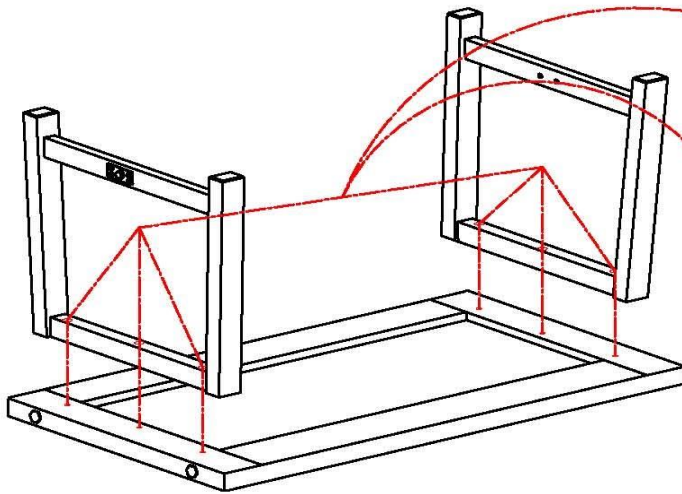




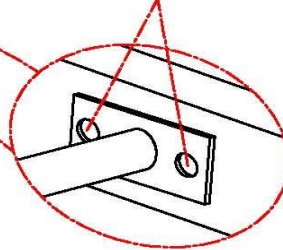
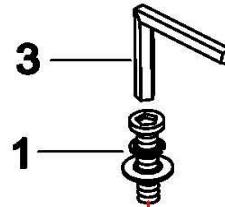
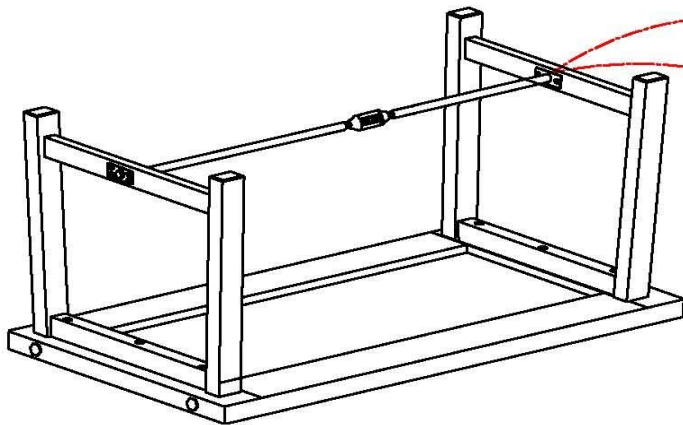
ASSEMBLY INSTRUCTION

GLOB 1866-1 COCKTAIL TABLE SKU#22118663

STEP 1



STEP 2



Assembly completed

2 OF 2
Made In China









ASSEMBLY INSTRUCTION

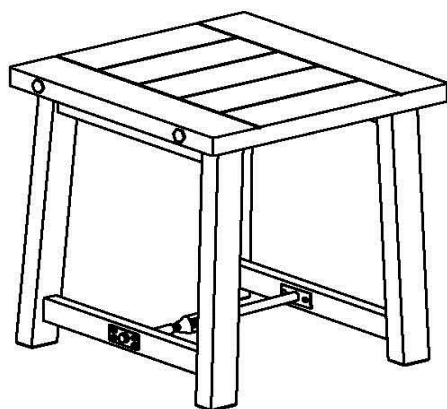
GLOB 1866-2 END TABLE SKU# 23018662

Thank you for purchasing this quality product. Be sure to check all packing material carefully for small parts, which may have come loose inside the carton during shipment. Identify and count all parts and compare with the HARDWARE LIST below.

Caution: Please read instructions thoroughly before unpacking assembly parts. Sharp exposed staple tips can cause injury, therefore, for your protection, please remove any exposed staples used in packing.

1. We recommend that you should assemble this product with the assistance of another person; this will make assembly easier, and will help to eliminate damage to the product or injury to persons during assembly.
2. Please do not over tighten screws or bolts until the assembly is completed.
3. Please put all parts on a non - abrasive floor before assembly, and follow the assembly steps to assemble your newly purchased product correctly and efficiently.

NO.	Parts List		Q' TY	NO.	Hardware list	QTY	
A		Top	1	1		Bolt Ø5/16" x 18 x 3/4"L	4
						Lock washer 5/16"xØ12x2mmT	4
						Flat washer Ø5/16" x Ø19x2mmT	4
B		Leg	2	2		Bolt Ø5/16" x 18 x 2"L	6
						Lock washer 5/16"xØ12x2mmT	6
						Flat washer Ø5/16" x Ø19x2mmT	6
C		Metal stretcher	1	3		Allen wrench	1

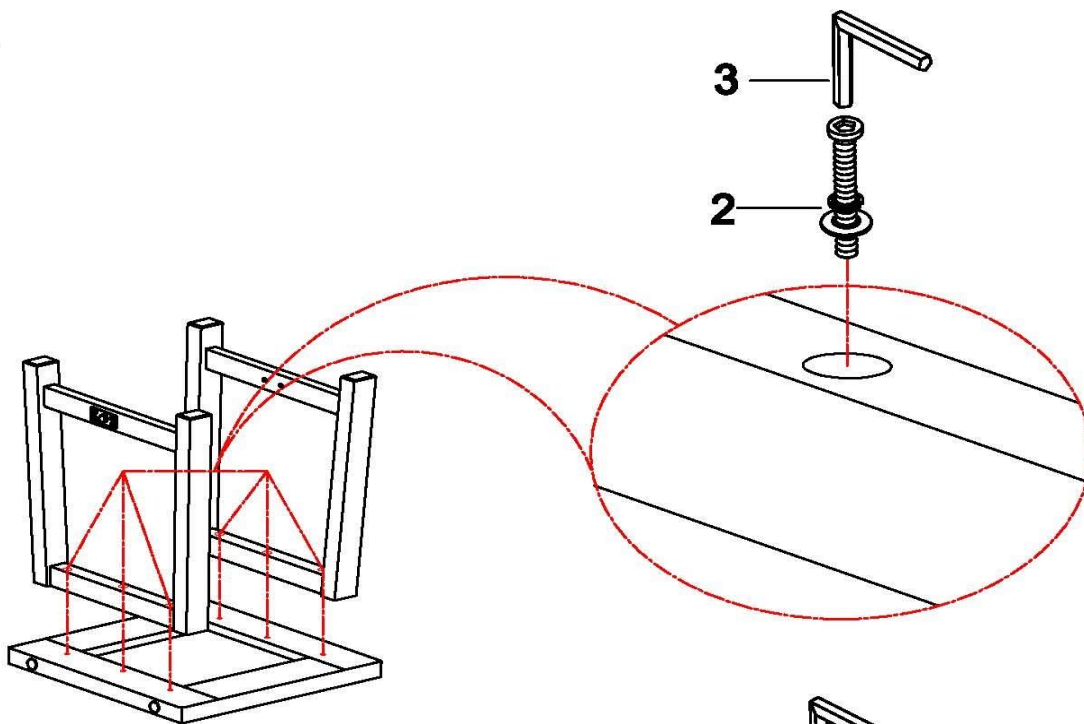




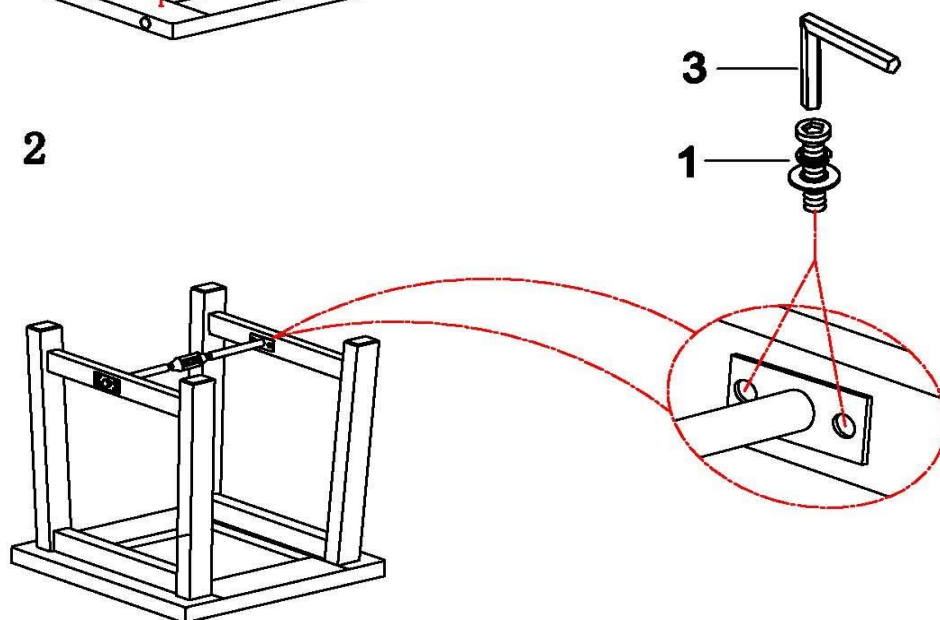
ASSEMBLY INSTRUCTION

GLOB 1866-2 END TABLE SKU# 23018662

STEP 1



STEP 2



Assembly completed

2 OF 2
Made In China



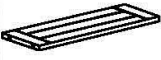



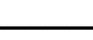





ASSEMBLY INSTRUCTION

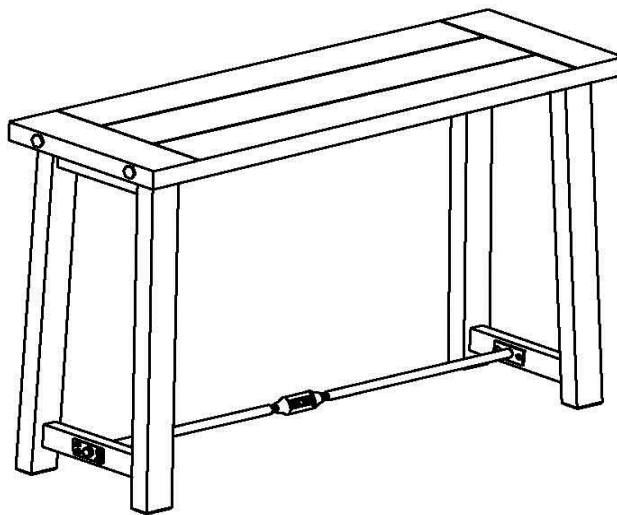
GLOB 1866-3 SOFA TABLE SKU# 23818668

Thank you for purchasing this quality product. Be sure to check all packing material carefully for small parts, which may have come loose inside the carton during shipment. **Identify and count all parts and compare with the HARDWARE LIST below.**

Caution: Please read instructions thoroughly before unpacking assembly parts. Sharp exposed staple tips can cause injury, therefore, for your protection, please remove any exposed staples used in packing.

1. We recommend that you should assemble this product with the assistance of another person; this will make assembly easier, and will help to eliminate damage to the product or injury to persons during assembly.
2. Please do not over tighten screws or bolts until the assembly is completed.
3. Please put all parts on a non - abrasive floor before assembly, and follow the assembly steps to assemble your newly purchased product correctly and efficiently.

NO.	Parts List		Q' TY	NO.	Hardware list	Q' TY
A		Top	1	1	 Bolt Ø5/16" x 18 x 3/4"L	4
B		Leg	2		 Lock washer 5/16"xØ12x2mmT	4
					 Flat washer Ø5/16" x Ø19x2mmT	4
C		Metal stretcher	1	2	 Bolt Ø5/16" x 18 x 2"L	6
					 Lock washer 5/16"xØ12x2mmT	6
					 Flat washer Ø5/16" x Ø19x2mmT	6
				3	 Allen wrench	1



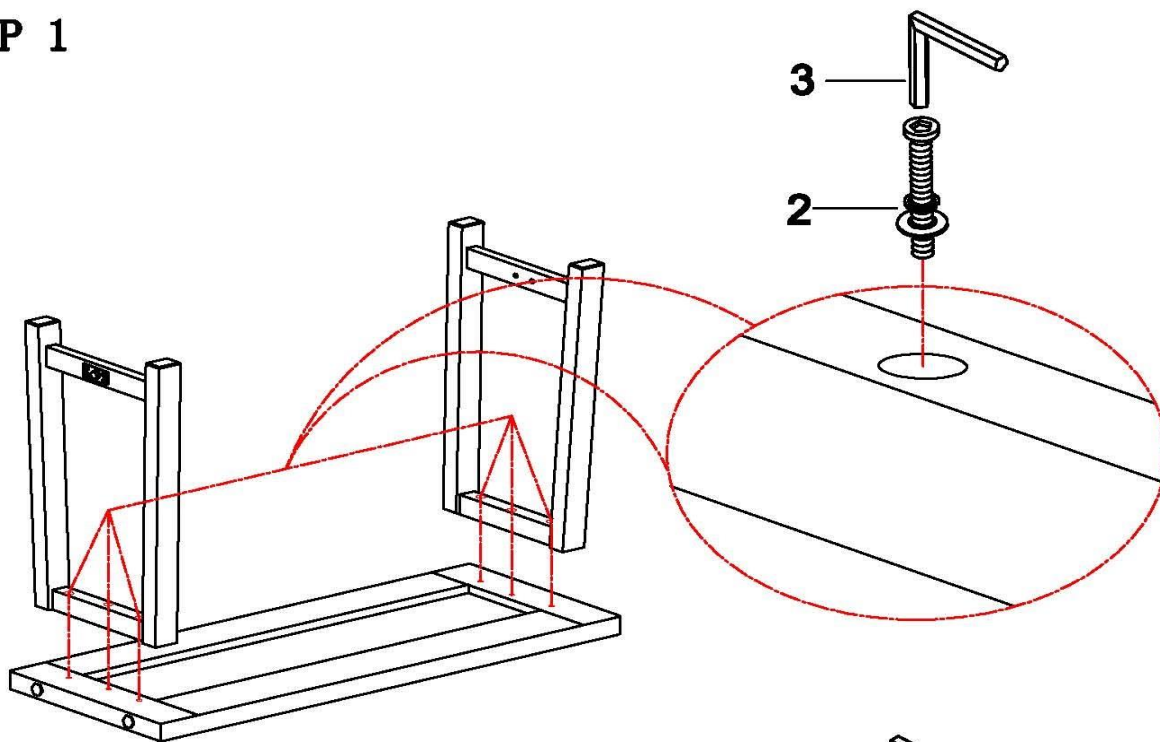
1 OF 2
Made in China



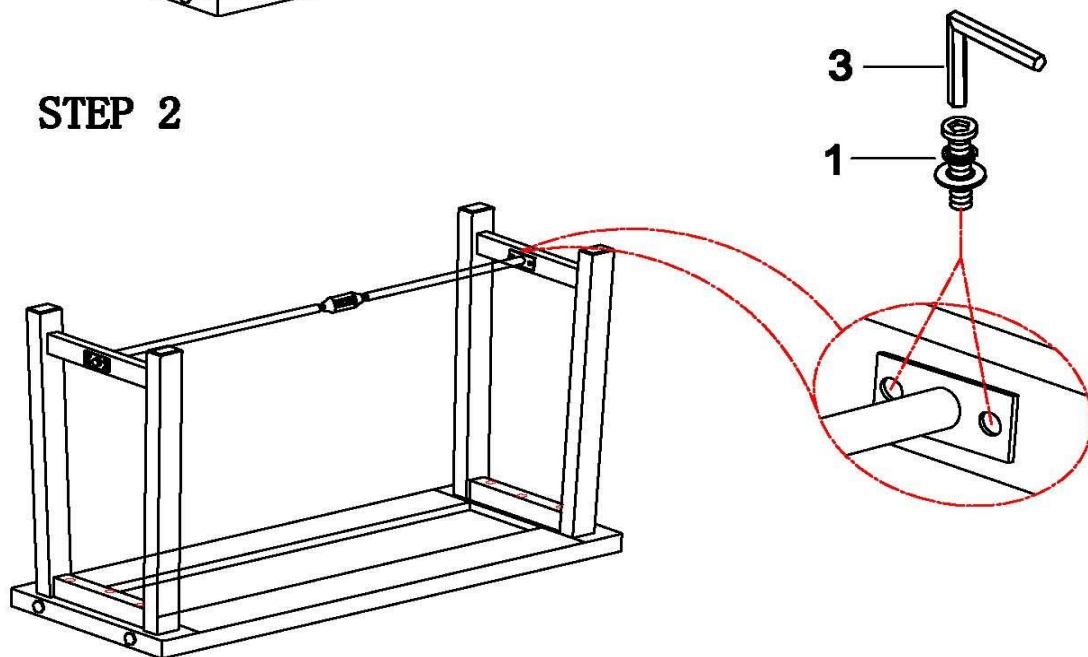
ASSEMBLY INSTRUCTION

GLOB 1866-3 SOFA TABLE SKU# 23818668

STEP 1



STEP 2



Assembly completed

**2 OF 2
Made In China**