











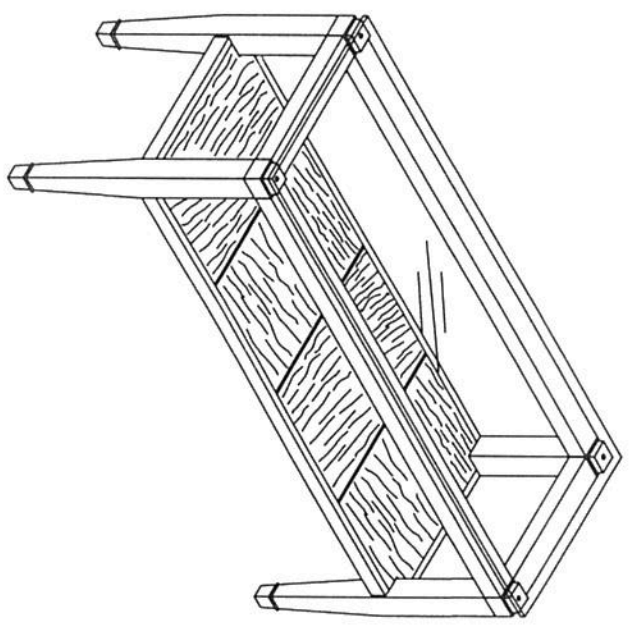
Assembly Instruction

BAMC

T1171-400 - Console Table

SKU# 23821716

Step	Code	Hardware	QTY
	A	ALLEN WRENCH 	1pc
1	B	ALLEN BOLT 1/4 x 2" 	8pcs
1	C	"C" WASHER 	8pcs
1	D	LOCK WASHER 	8pcs
2	B	ALLEN BOLT 1/4 x 2" 	4pcs
2	E	FLAT WASHER 	4pcs
2	D	LOCK WASHER 	4pcs
3	F	PLASTIC VACUUM 	4pcs



Hardware Pack Location(s):

Console Table

SKU# 23821716



Assembly Instruction

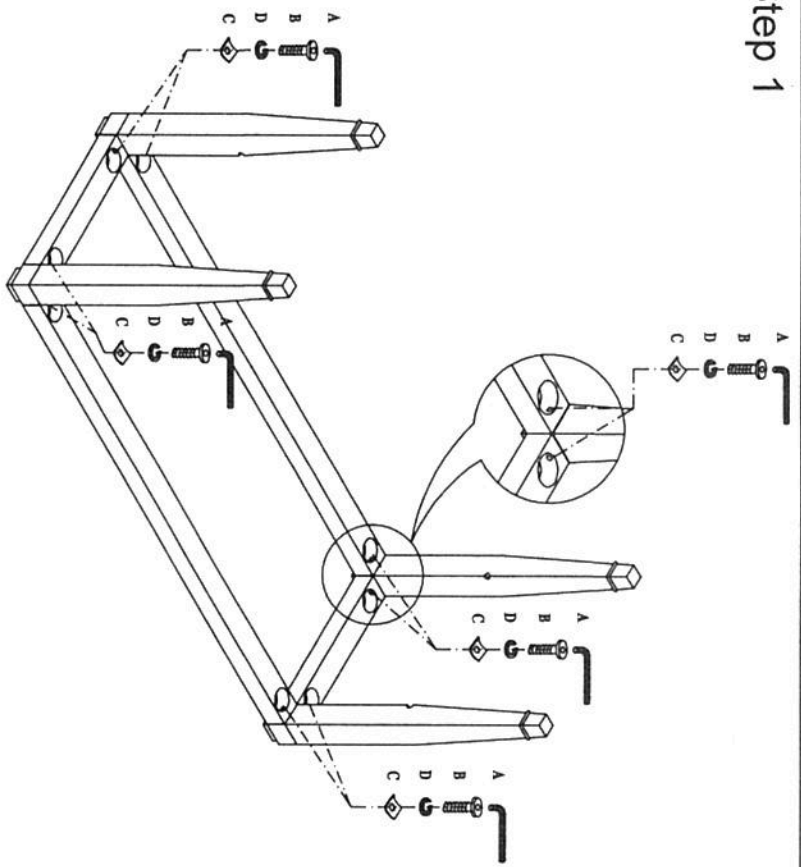
BAMC

T1171-400- Console Table

SKU# 23821716

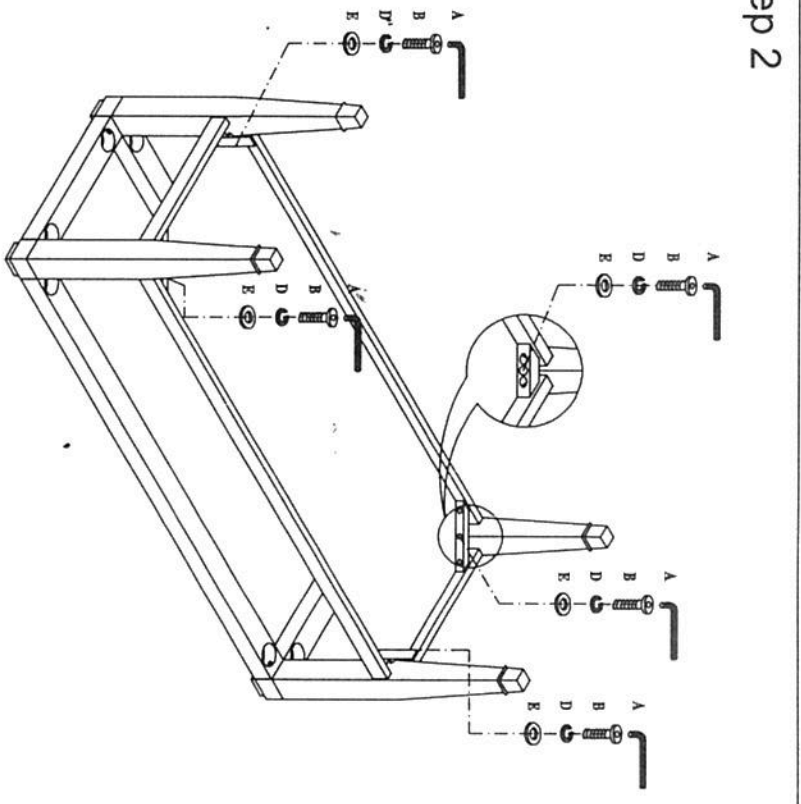
*** Caution: Please read all instructions carefully before starting the assembly process. These parts are cumbersome and heavy. Therefore, two people are recommended in order to prevent personal injury and insure the parts are not damaged during the assembly.

Step 1



Place the table frame upside down on a soft, flat surface. Attach the legs to the table frame, using "C" washers (C), lock washers (D), allen bolts (B) and allen wrench (A). Do not fully tighten the bolts.

Step 2



Attach the shelf to the legs, using flat washers (E), lock washers (D), allen bolts (B) and allen wrench (A). Fully tighten all the bolts now.



Assembly Instruction

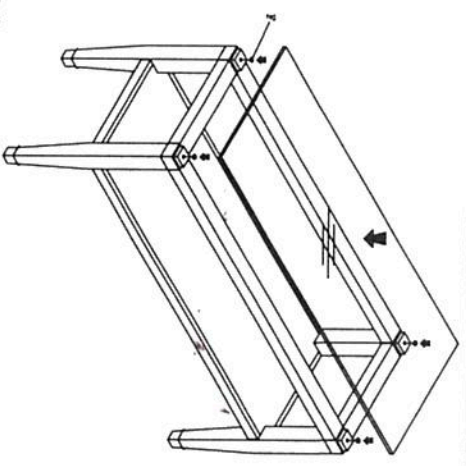
BAMC

T1171-400 - Console Table

SKU# 23821716

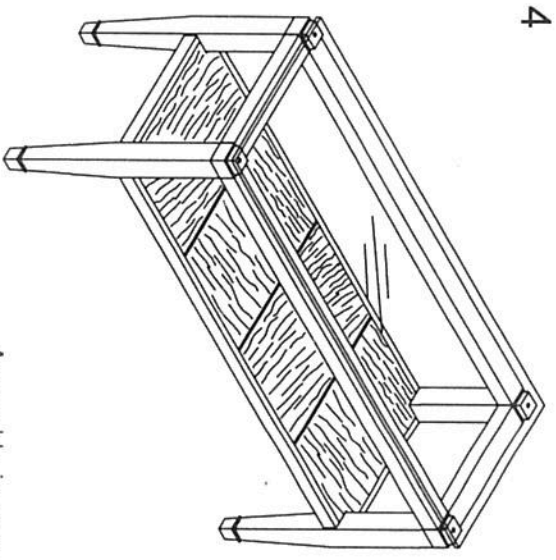
*** Caution: Please read all instructions carefully before starting the assembly process. These parts are cumbersome and heavy. Therefore, two people are recommended in order to prevent personal injury and insure the parts are not damaged during the assembly.

Step 3



Place the table upright. Cover the holes on top of the table frame with plastic vacuums (F) as shown in illustration. Place the glass top onto the table after the assembly is complete.

Step 4



Assemble is completed

please see the illustration

CUSTOMER HELP LINE FOR ASSEMBLY
(276)629-3341 EXT 3206
Thank you for your purchase

Hardware Pack Location(s):
Console Table

SKU# 23821716