

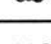









ROOMS

TO GO

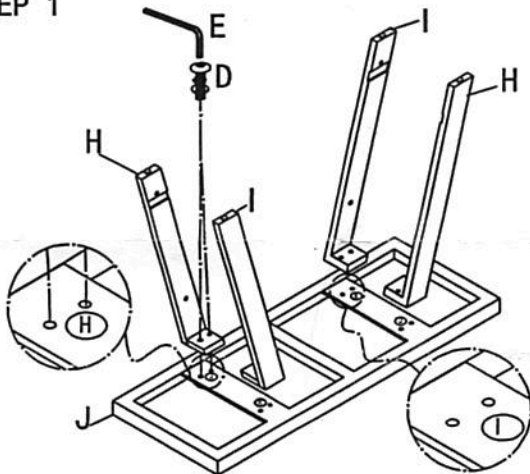
# ASSEMBLY INSTRUCTION

ALEK N1226-3 Sofa Table W/Media Shelf  
 SKU: 23842265

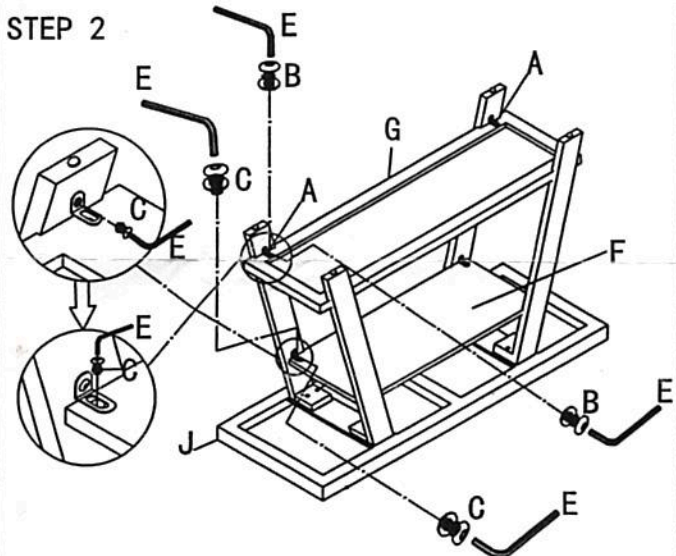
NO.	PART	DESCRIPTION	Q'TY
A		METAL PLATE	8
B		BOLT: $\phi 5/16 \times 3/4$ " (20 Threads per inch)	8
C		BOLT: $\phi 5/16 \times 1/2$ " (20 Threads per inch)	8
D		BOLT: $\phi 5/16 \times 1-3/4$ " (20 Threads per inch)	8
E		Allen Key	1
F		SHELF	1

NO.	PART	DESCRIPTION	Q'TY
G		BASE PANEL	1
H		LEG1	2
I		LEG2	2
J		TOP	1

## STEP 1



## STEP 2



- Carefully unwrap the furniture and place all the parts on the soft blanket.
- Attach SHELF (F) to LEG1 (H) & LEG2 (I) use BOLT (C) tighten by Allen key (E)  
 Attach BASE PANEL (G) to LEG1 (H) & LEG2 (I) use BOLT (B) tighten by Allen key (E)  
 See the STEP 1
- Attach Leg1 (H) Leg (I) to Top (J) Use Bolt (D) tighten by Allen key (E).
- Step two is to install the component C,  
 Please lock the C circular hole first, then lock the C elliptical hole.
- Attach LEG1 (H) & Leg2 (I) to TOP (J) use Bolt (D), tighten by Allen key (E) see the Step 2
- Tighten the legs 100%.
- Enjoy your table for a long time to come.

MADE IN VIETNAM