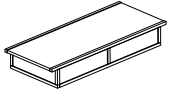
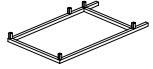
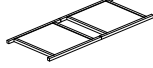
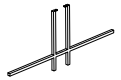
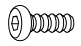
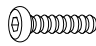





Thank you for purchasing this quality product. Be sure to check all packing material carefully for small parts that may have come loose inside the carton during shipment.

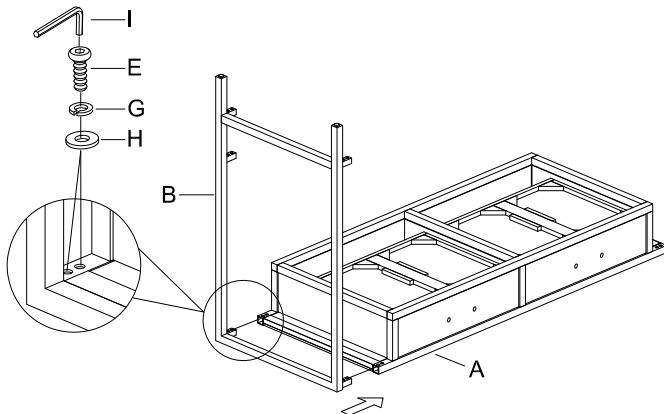
Parts List

| No. | Drawing | Description | Q'ty |
|-----|---|-------------|------|
| A |  | Table Top | 1pc |
| B |  | End Frame | 4pcs |
| C |  | Shelf | 1pc |
| D |  | Stretchers | 2pcs |

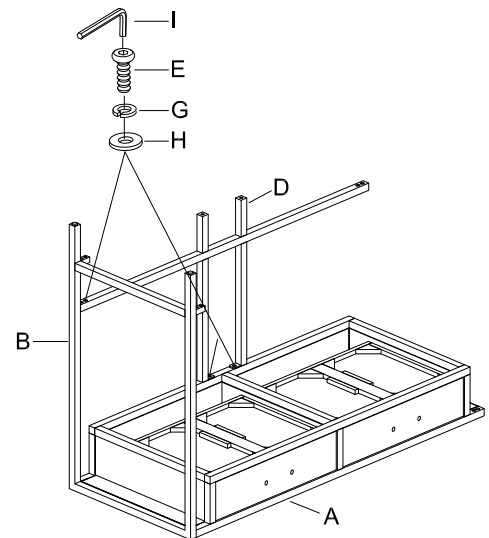
Hardware List

| No. | Drawing | Description | Size | Q'ty |
|-----|---|--------------|--------------|-------|
| E |  | Bolt | Ø1/4"*5/8" | 22pcs |
| F |  | Bolt | Ø1/4"*1-1/2" | 2 pcs |
| G |  | Lock Washer | Ø1/4" | 24pcs |
| H |  | Flat Washer | Ø1/4" *16 | 24pcs |
| I |  | Allen Wrench | 4mm | 1pc |

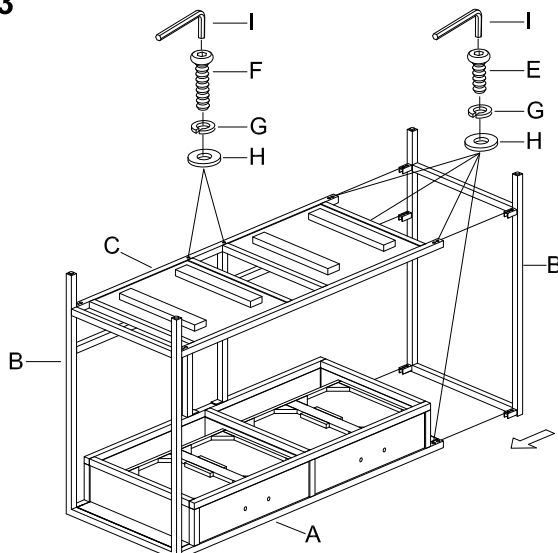
STEP 1



STEP 2



STEP 3



STEP 4

