





ROOMS

TO GO ▶

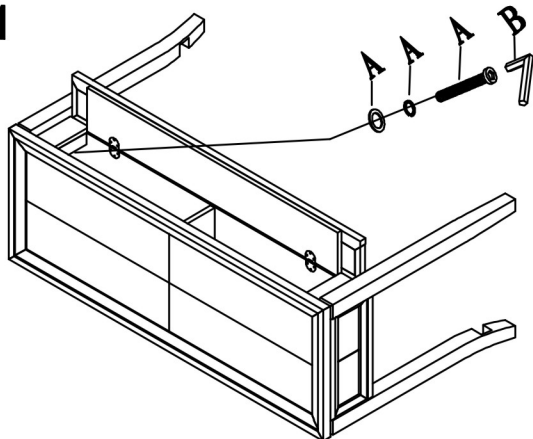
ALEK N922-50 TV Console

ASSEMBLY INSTRUCTION

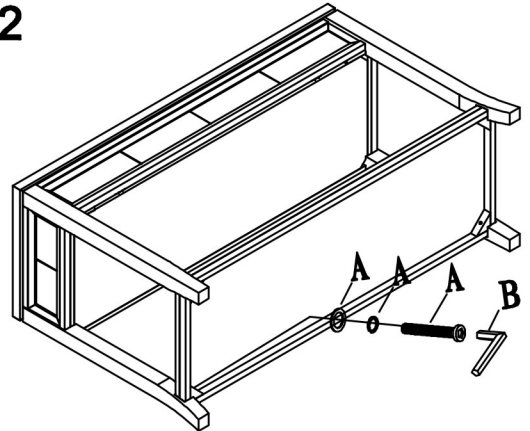
Thank you for purchasing this quality product. Be sure to check all packing material carefully for small parts which may have come loose inside the carton during shipment. Identify and count all parts and compare with the Parts list below:

NO.	PART	DESCRIPTION	Q'TY	NO.	PART	DESCRIPTION	Q'TY
A		BOLT: $\phi 5/16 \times 2-3/4"$ (18 Threads per inch.)	12	A		WASHER: $\phi 5/16 \times 19\text{mm}$	12
A		LOCK WASHER: $\phi 5/16"$	12	B		ALLEN WRENCH: 5mm	1

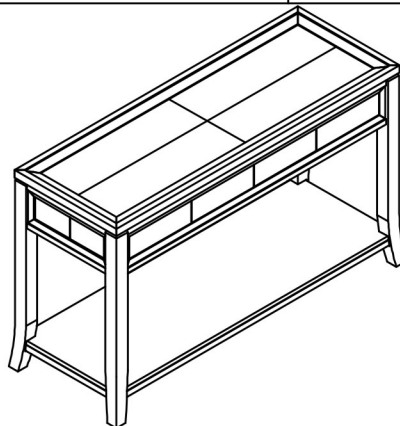
step1



step2



step3



ASSEMBLY INSTRUCTION

- 1) Carefully unwrap the furniture and place all parts on a clean soft blanket
- 2) Place the table top frame upside down as shown in STEP1
- 3) Using Bolt, Lock washer and washer, attach each leg to the frame, but do not tighten 100%
- 4) Attach the bottom board to each legs
- 5) Tighten the legs and frame, bottom board 100%
- 6) Enjoy your table for a long time to come

MADE IN CHINA