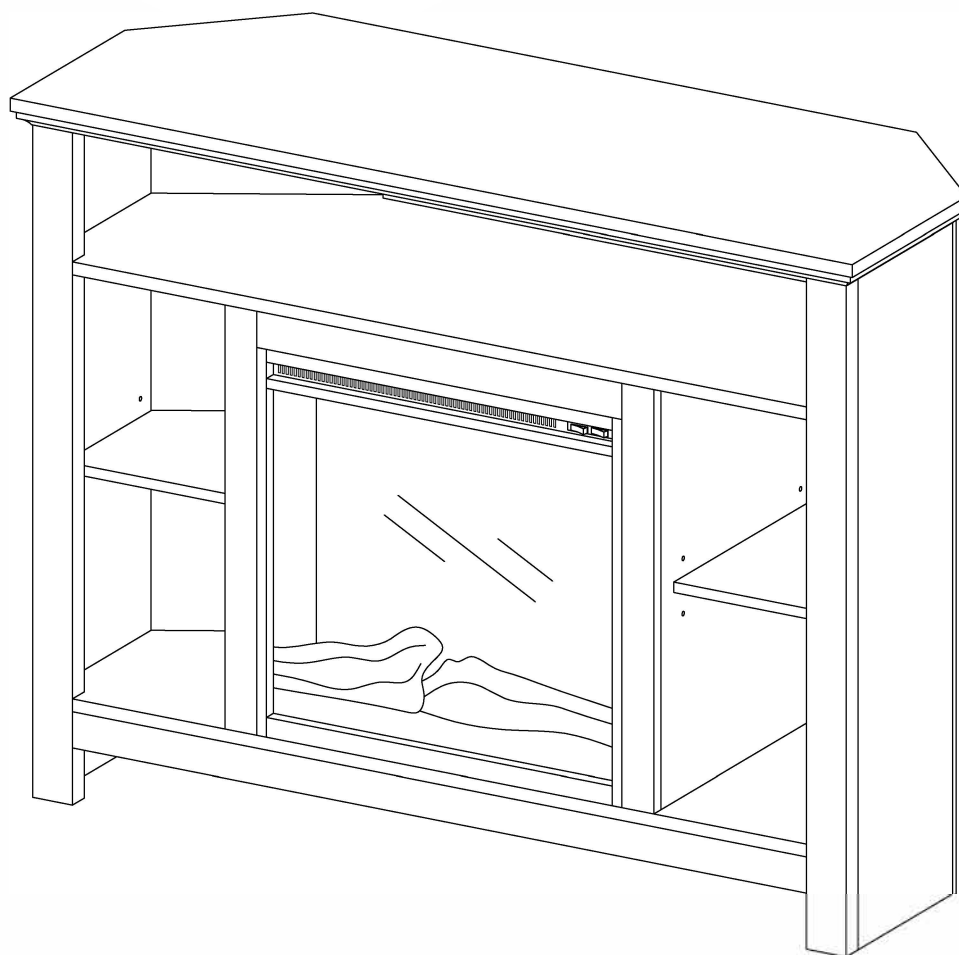


Item # : W44FPHBC
Assembly Instructions

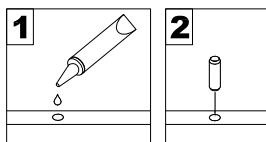


Please visit our website for the most current instructions, assembly tips, report damage, or request parts. www.walkerredison.com

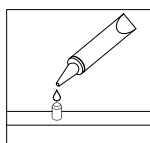
Revised 03/2018

General Assembly Guidelines

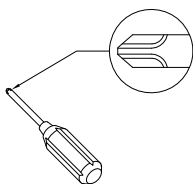
- I. Ensure that all parts and hardware are available before beginning assembly.
- II. Follow each step carefully to ensure the proper assembly of this product.
- III. Two people are recommended for ease in the assembly of this product.
- IV. The three main types of hardware used to assemble this product are : wood dowels , screws and bolts.
- V. The provided glue is to secure wood dowels in place . When first inserting dowels , locate the appropriate hole for the dowel , place a small amount of glue in the hole and insert the dowel . Wipe away excess glue immediately.



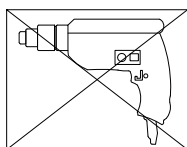
In future assembly steps when dowels are necessary to attach assembly parts together , place a small amount of glue on the end of the dowel before attaching parts together . Wipe away excess glue immediately.



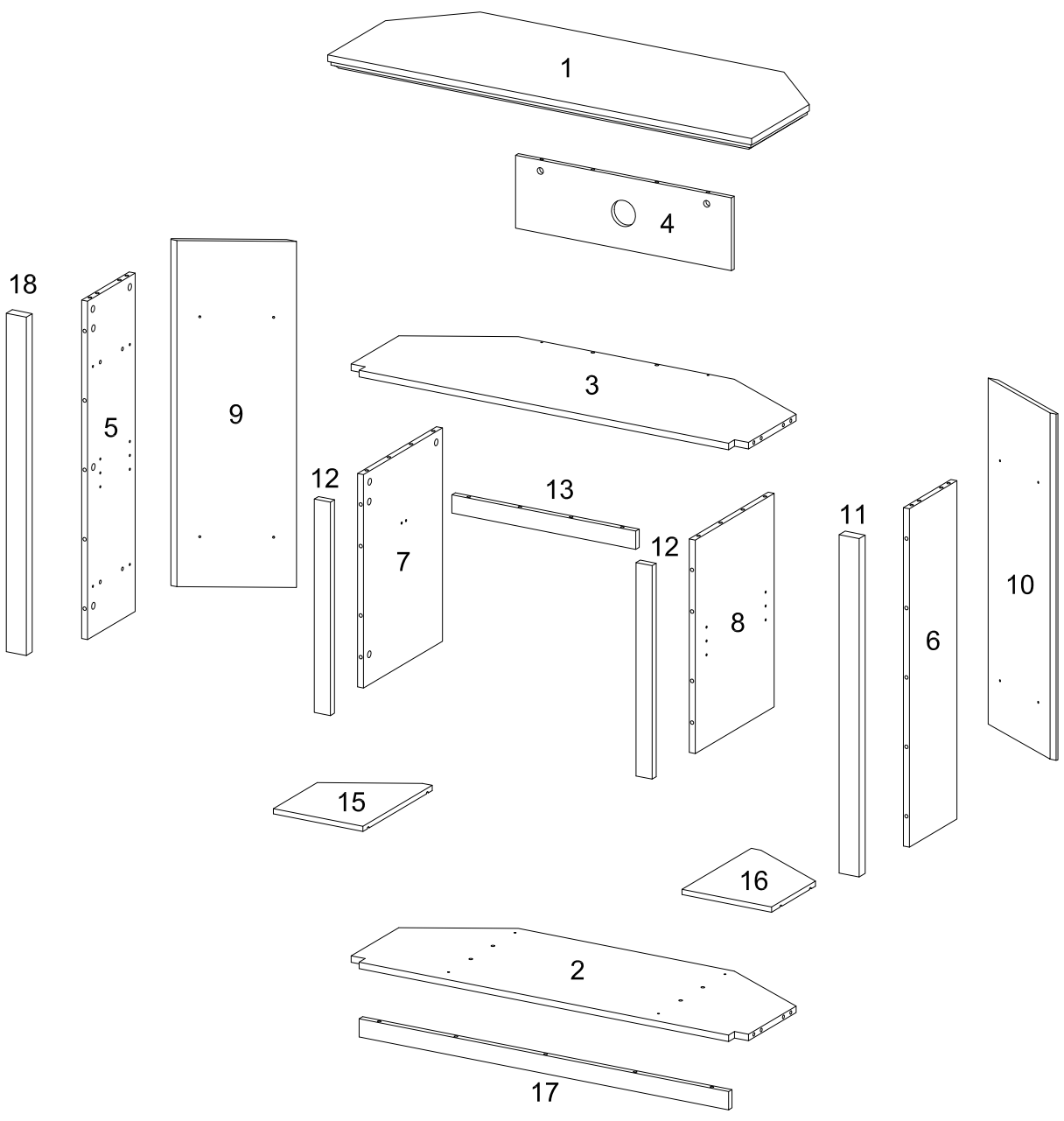
- VI. A Phillips head screwdriver is required for the assembly of this product .












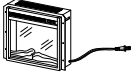

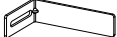
- VII. Power tools should not be used to assemble this product .

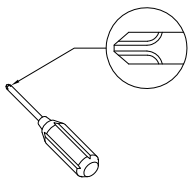


Parts List



Hardware List

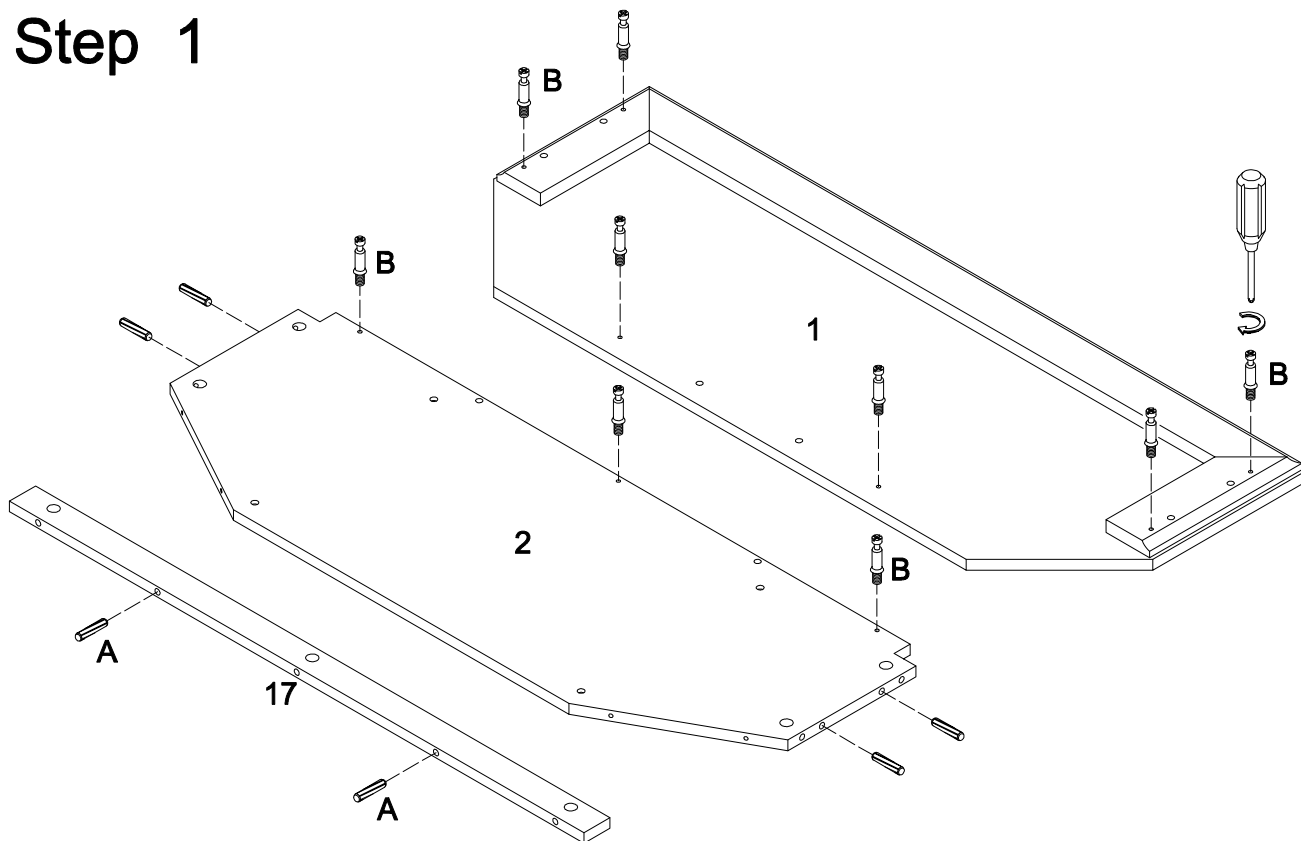
A		Ø8x30mm	Wooden dowel	36 pcs
B			Cam bolt	33 pcs
C		Ø15x11mm	Cam lock	31 pcs
D		Ø15x9.5mm	Cam lock	2 pcs
E		Ø6x50mm	Bolt	14 pcs
F		Ø8x5x16mm	Shelf support pin	8 pcs
G		Ø4mm	Wrench	1 pc
H			Glue tube	2 pcs
J			Sticker	41 pcs
L			Fireplace Insert (F18V66L)	1 pc
M		Ø4x12	Screw	4 pcs
N			L shape bracket	2 pcs



Philips head screwdriver required for assembly
(not included)

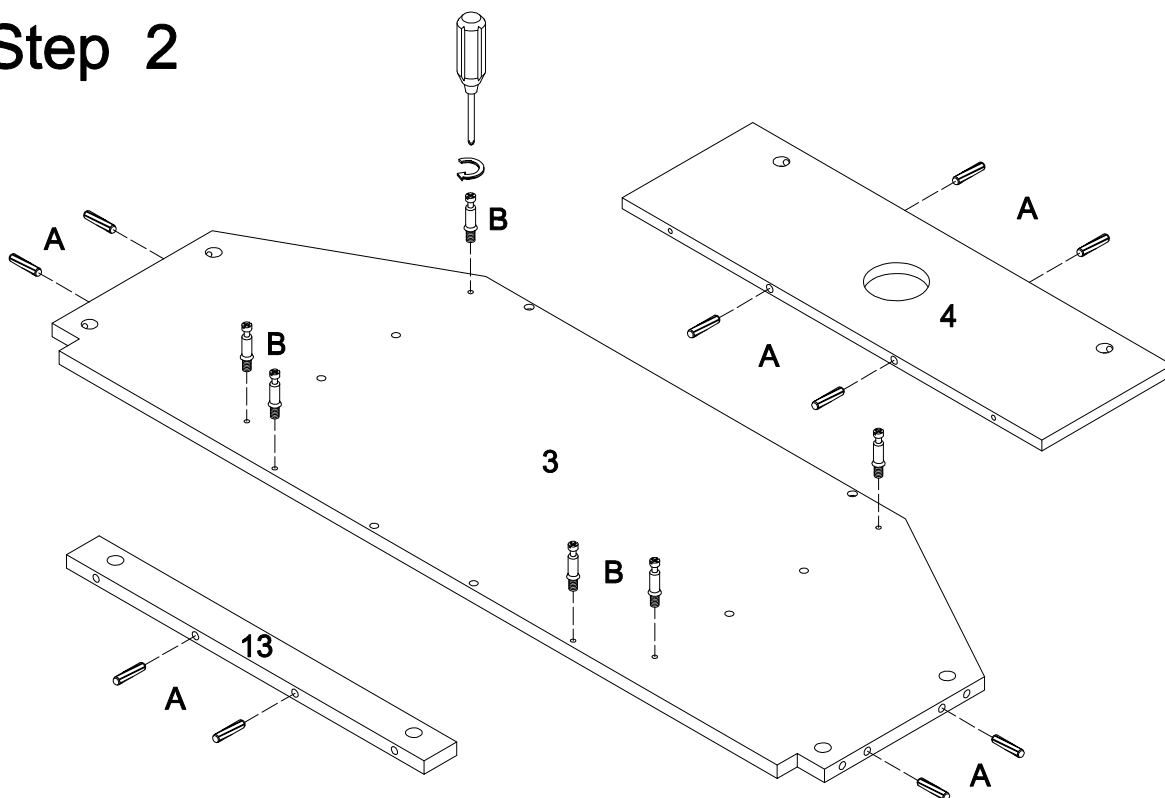
*The hardware quantities listed above are required for proper assembly.
Some extra hardware may also have been included.*

Step 1



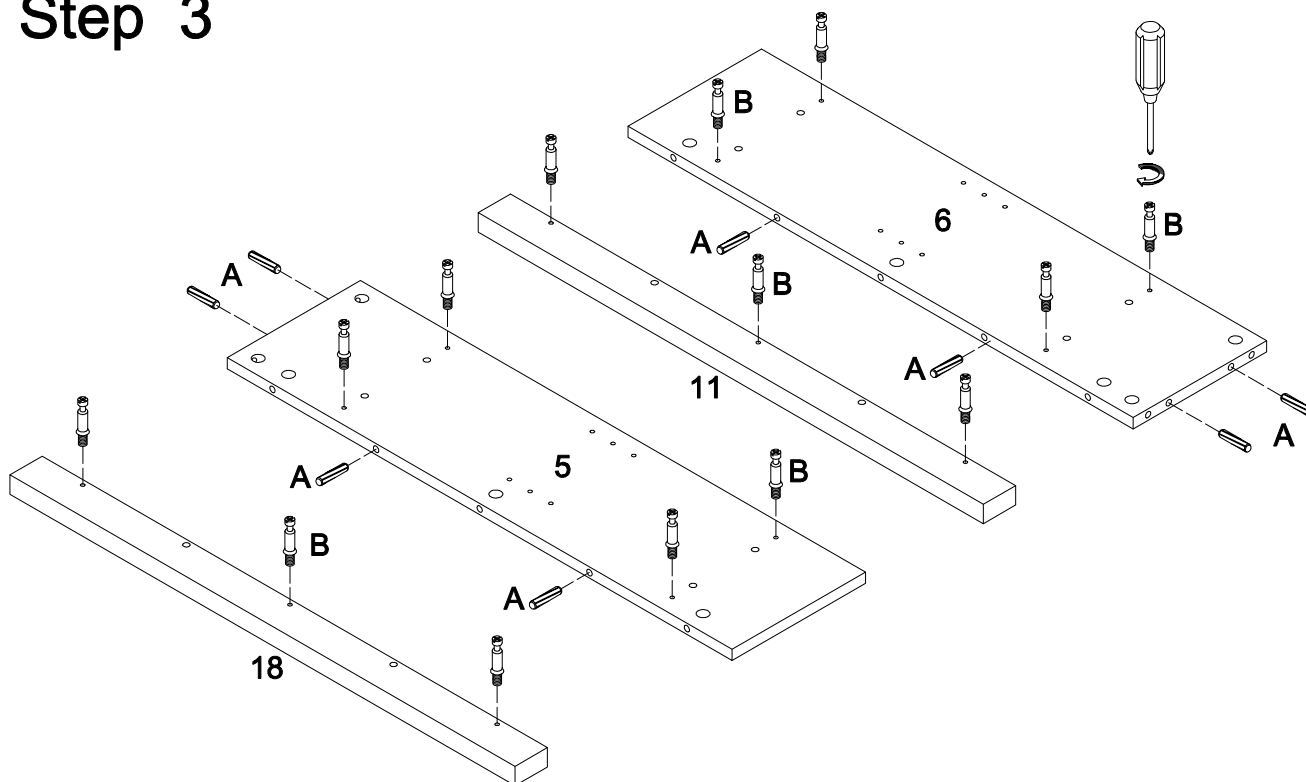
Attach cam bolts (B) to parts (1) and (2). Insert wooden dowels (A) into parts (2) and (17).

Step 2



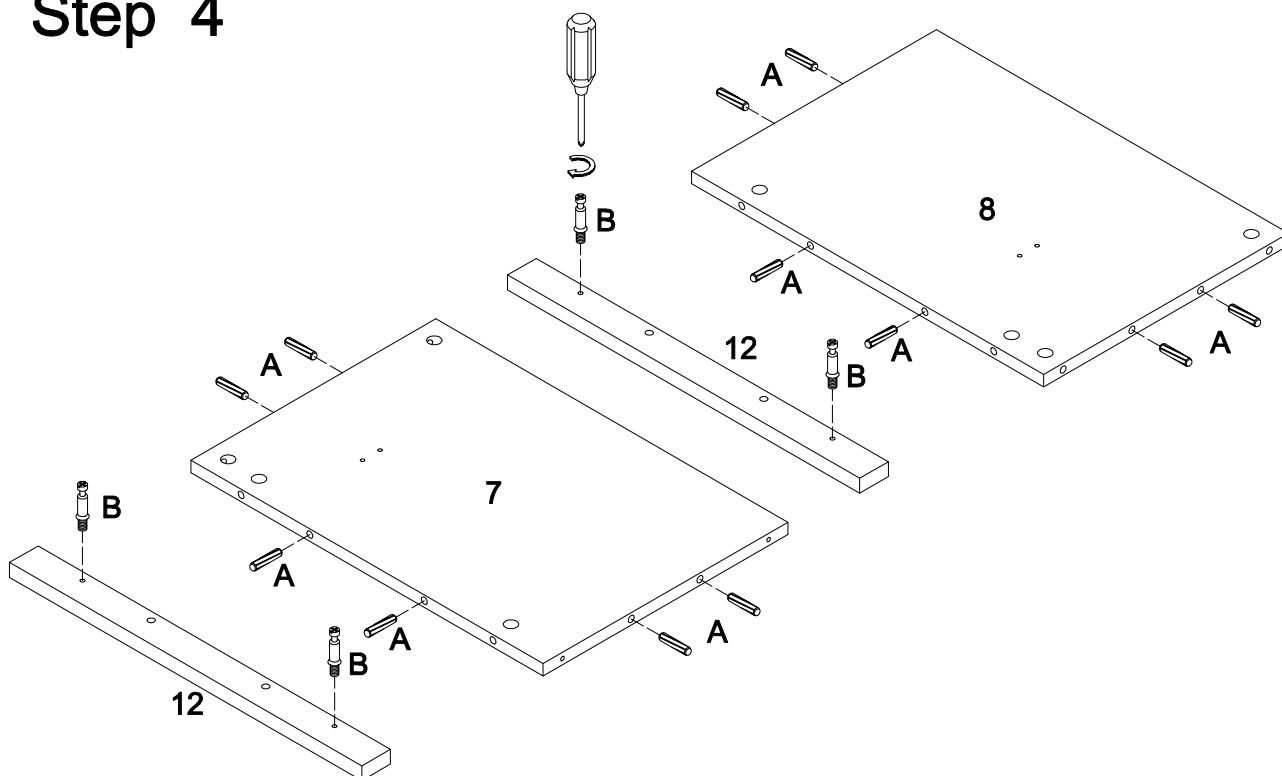
Attach cam bolts (B) to part (3). Insert wooden dowels (A) into parts (3,4) and (13).

Step 3



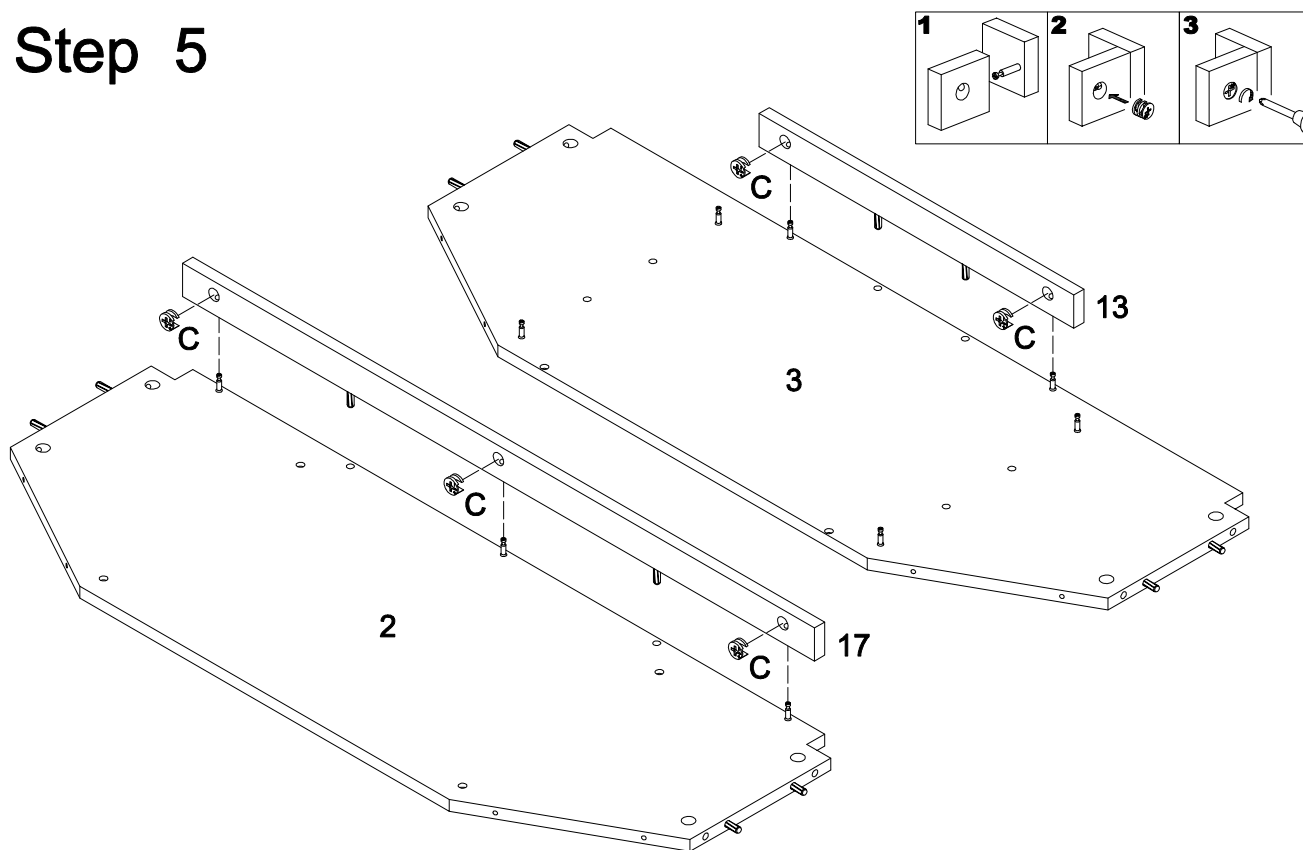
Attach cam bolts (B) to parts (5,6) and (11,18). Insert wooden dowels (A) into parts (5) and (6).

Step 4



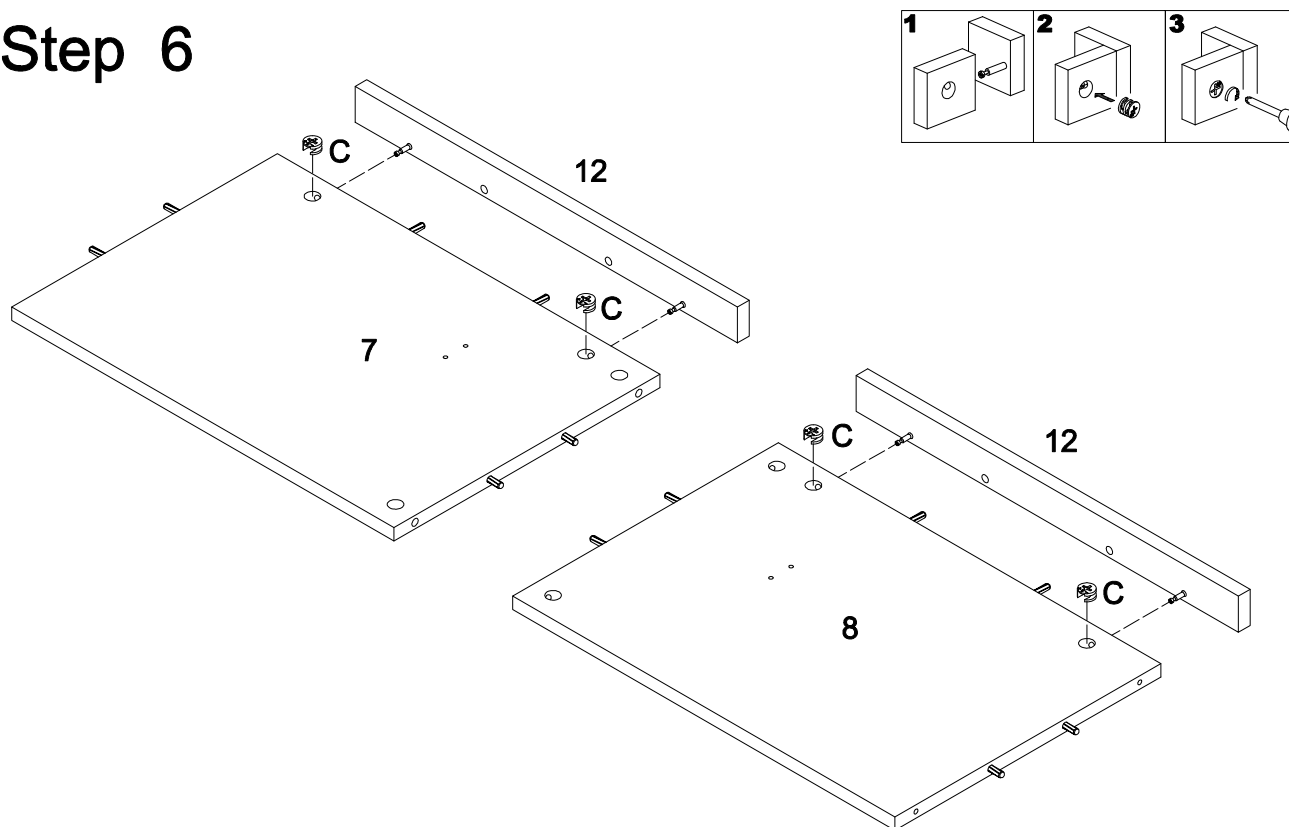
Attach cam bolts (B) to parts (12). Insert wooden dowels (A) into parts (7) and (8).

Step 5



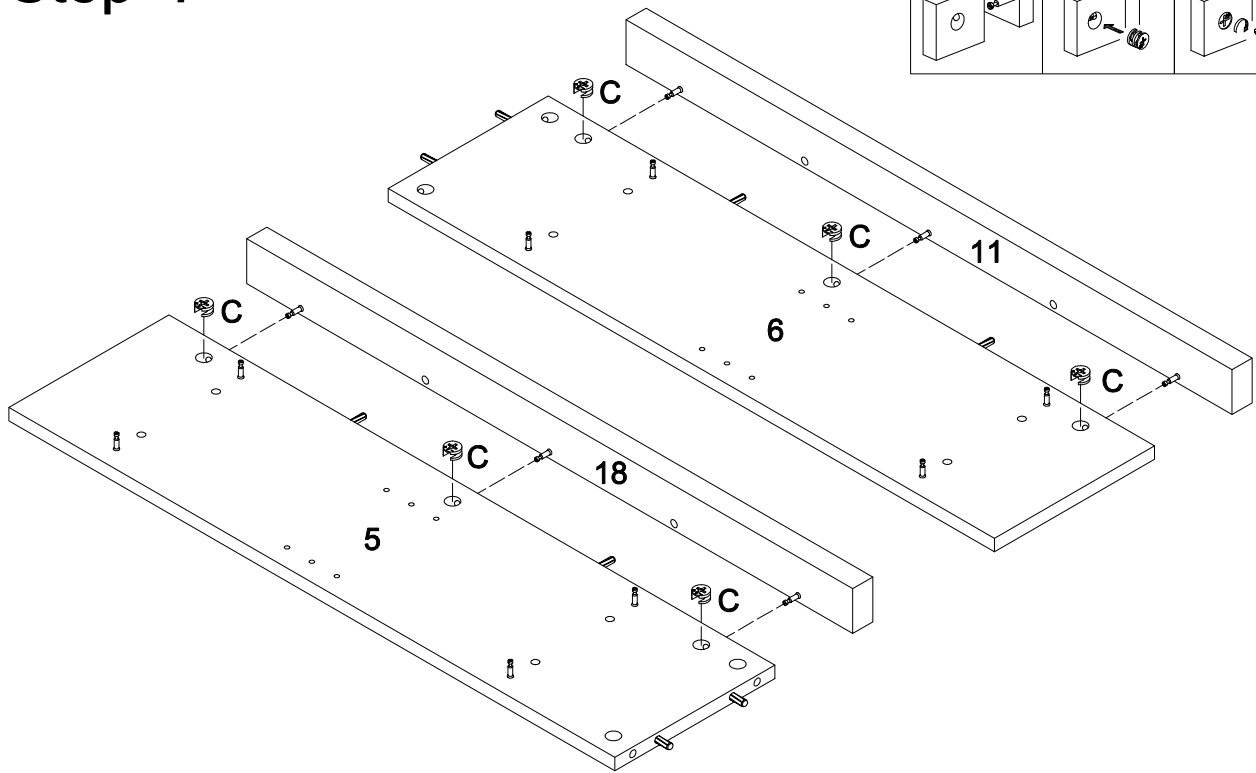
Attach cam locks (C) to parts (13) and (17) to connect part (2) and part (3) as shown in the diagram.

Step 6



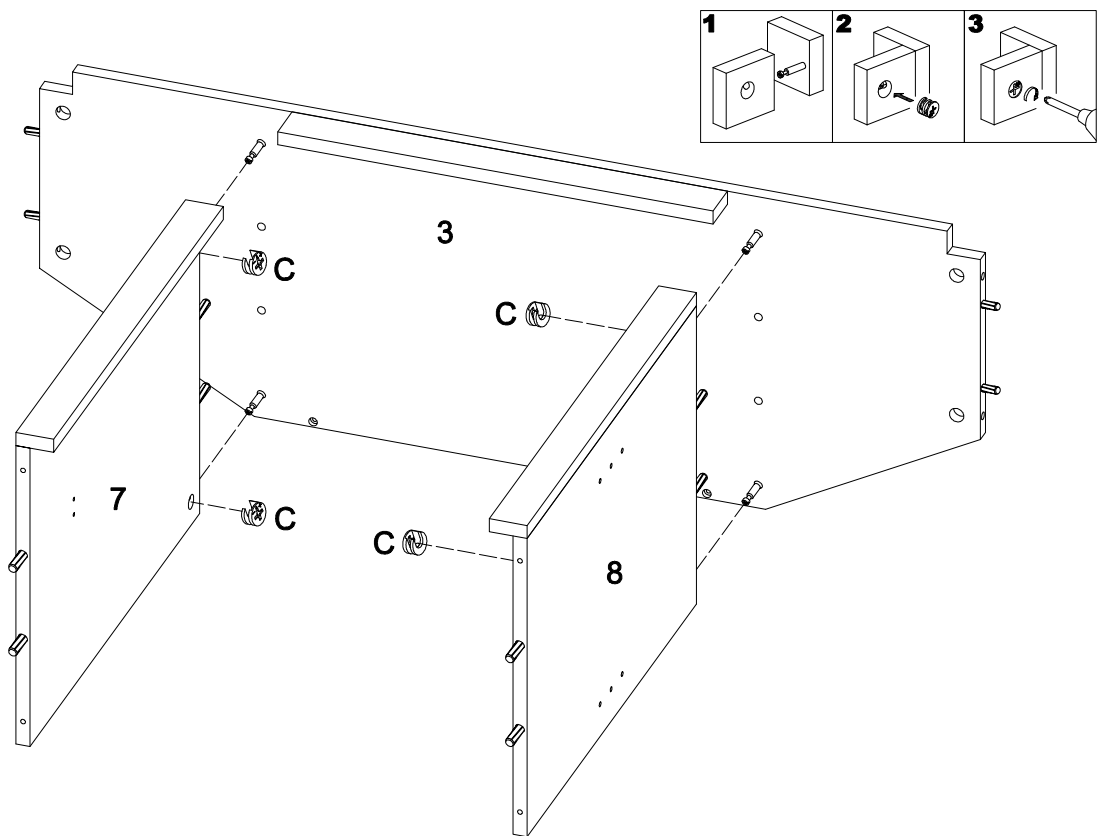
Attach cam locks (C) to parts (12) to connect to part (7) and part (8) as shown in the diagram.

Step 7



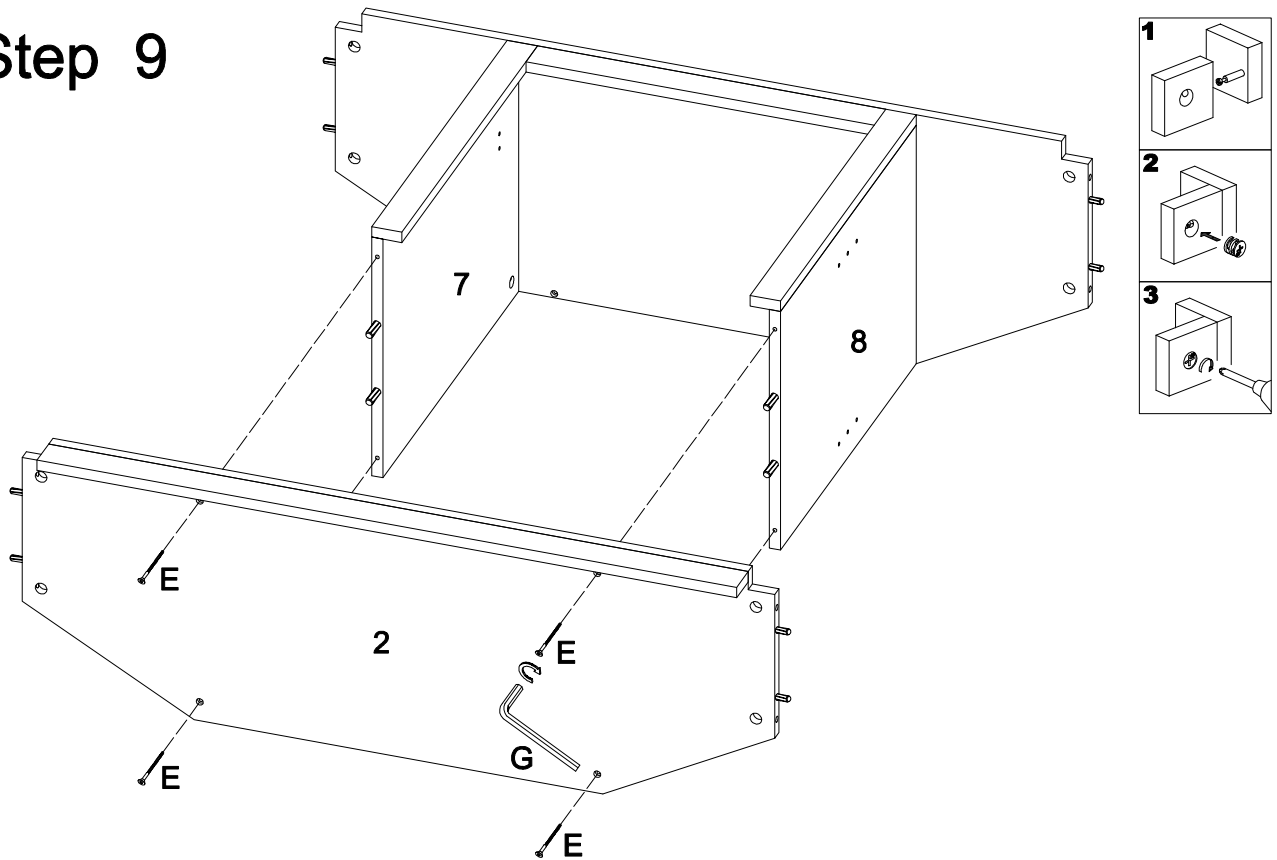
Attach cam locks (C) to parts (11,18) to connect to part (5,6) as shown in the diagram.

Step 8



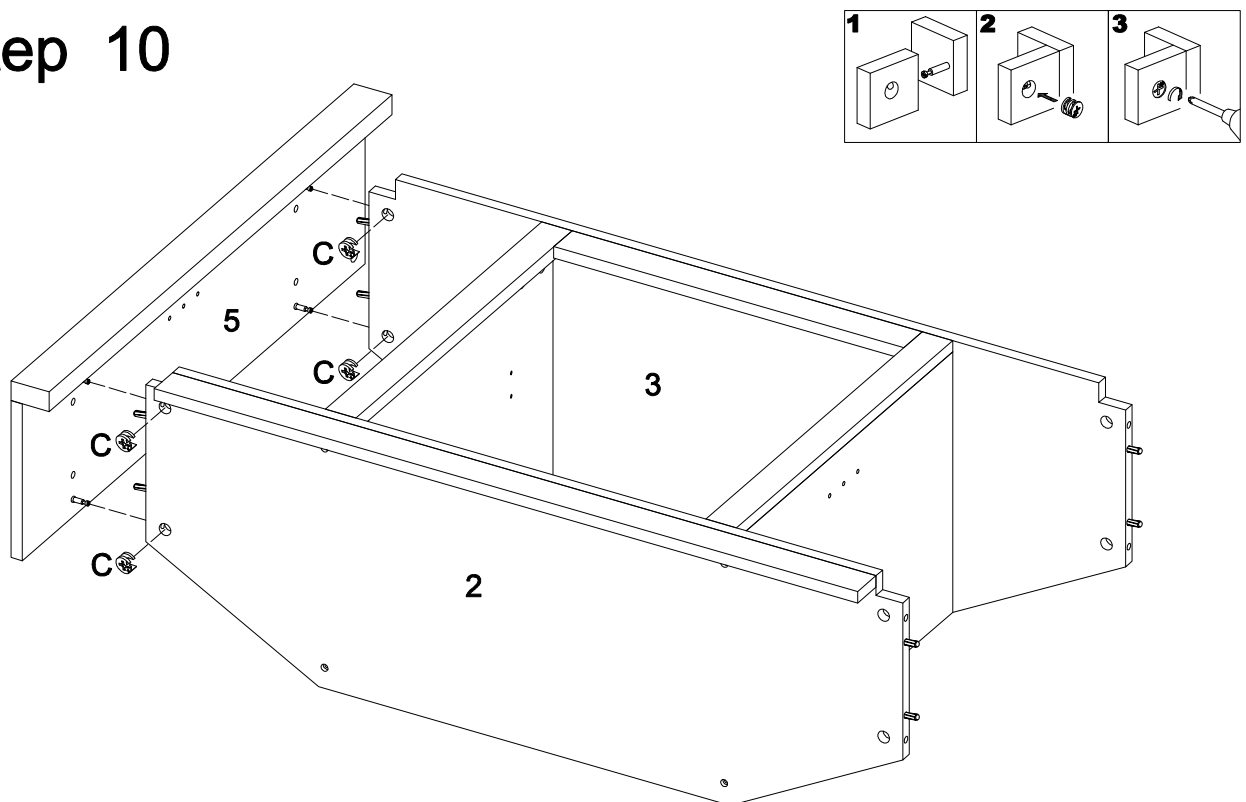
Attach cam locks (C) to parts (7) and (8) to connect to part (3) as shown in the diagram.

Step 9



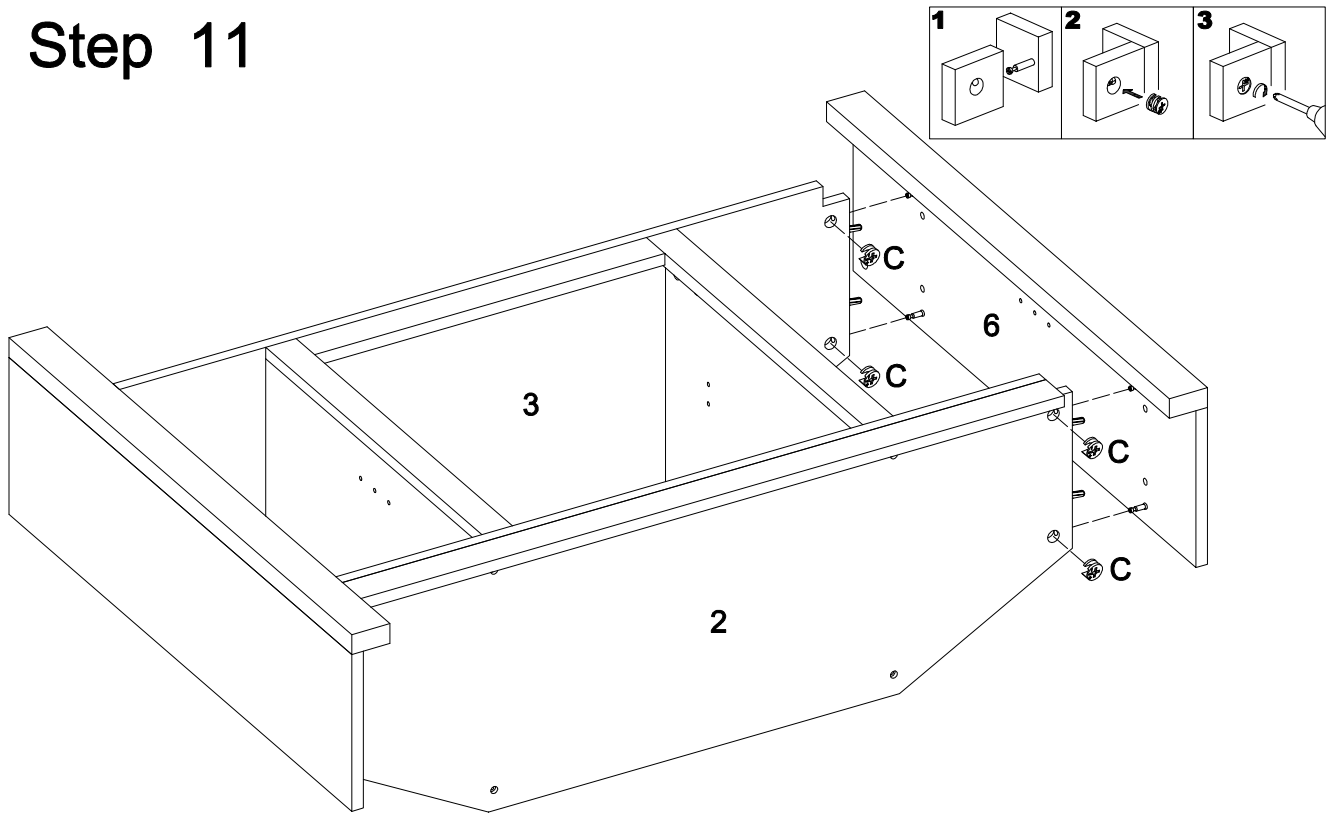
Secure part (2) to frame assembly using bolts (E) as shown in the diagram.

Step 10



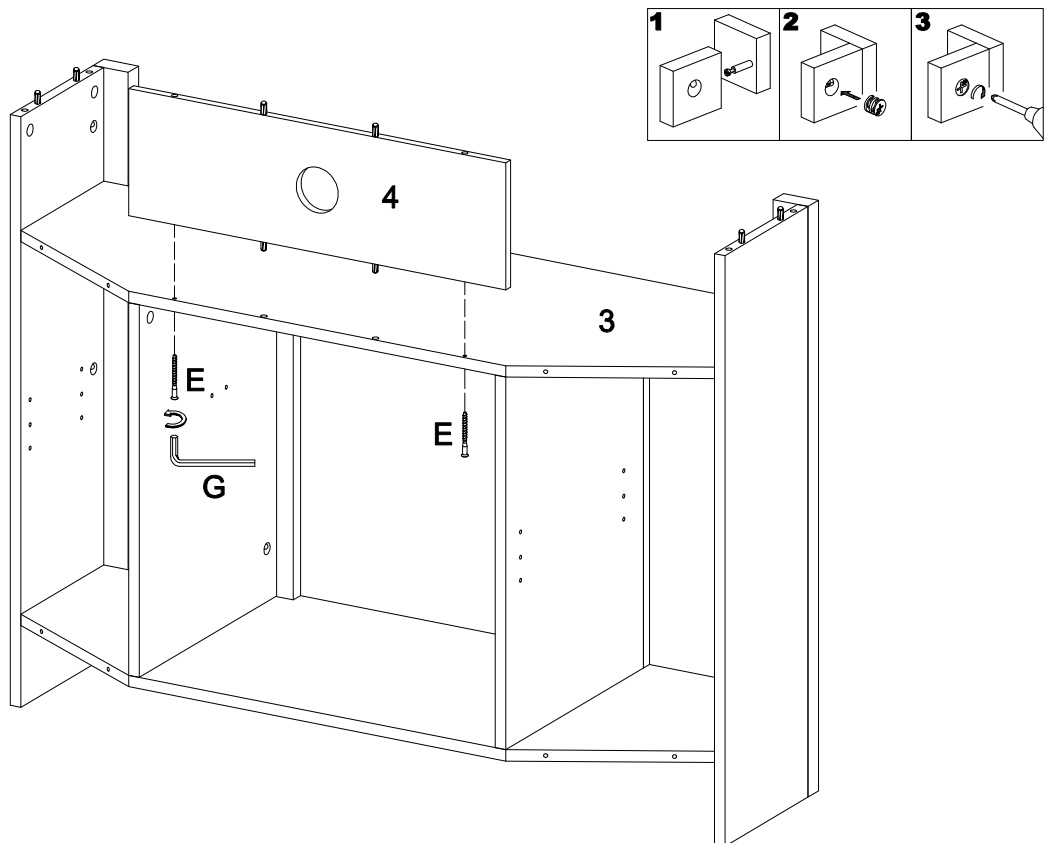
Use cam bolts (C) to connect part (5) to assembled frame.

Step 11



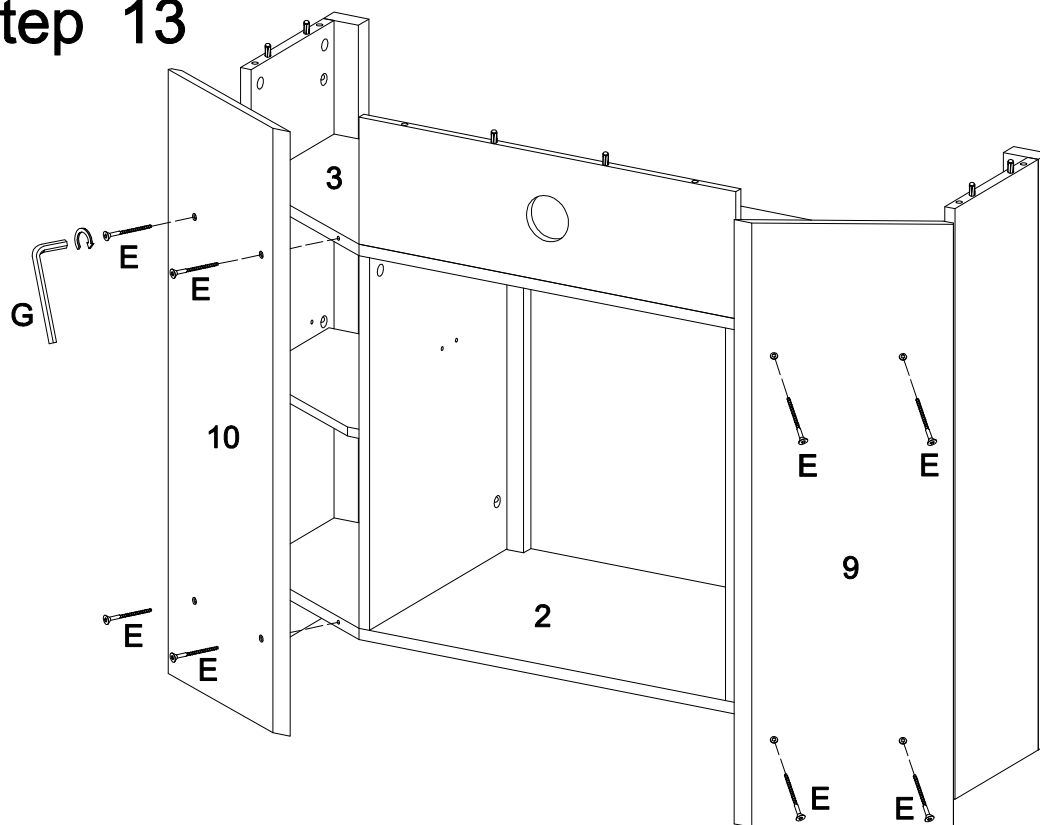
Use cam bolts (C) to connect part (6) to assembled frame.

Step 12



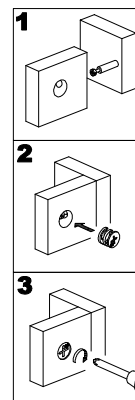
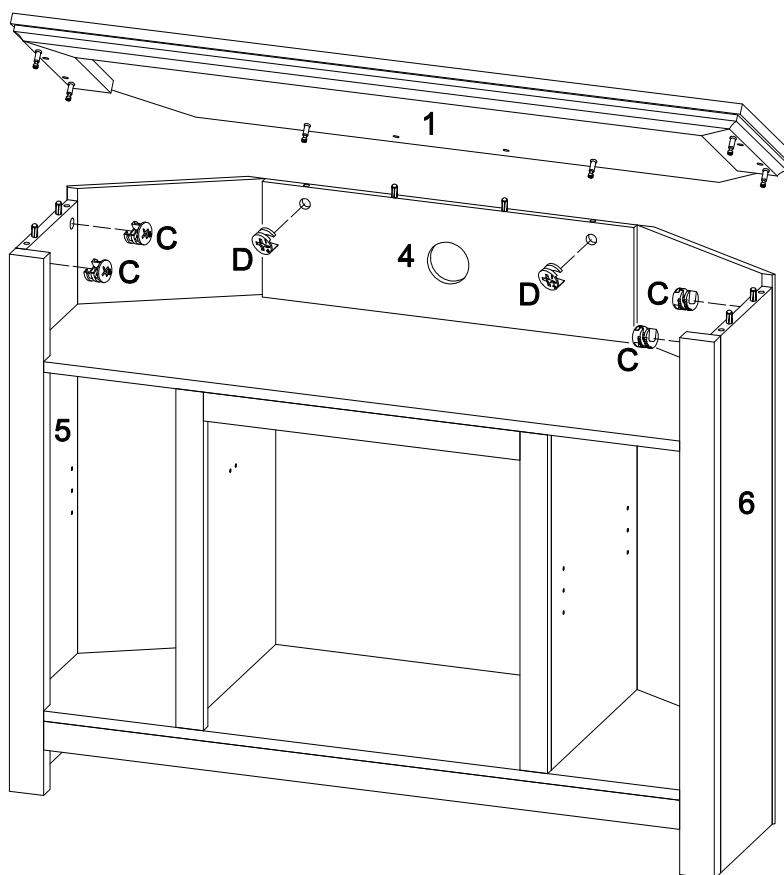
Secure part (4) to frame assembly using bolts (E) as shown in the diagram.

Step 13



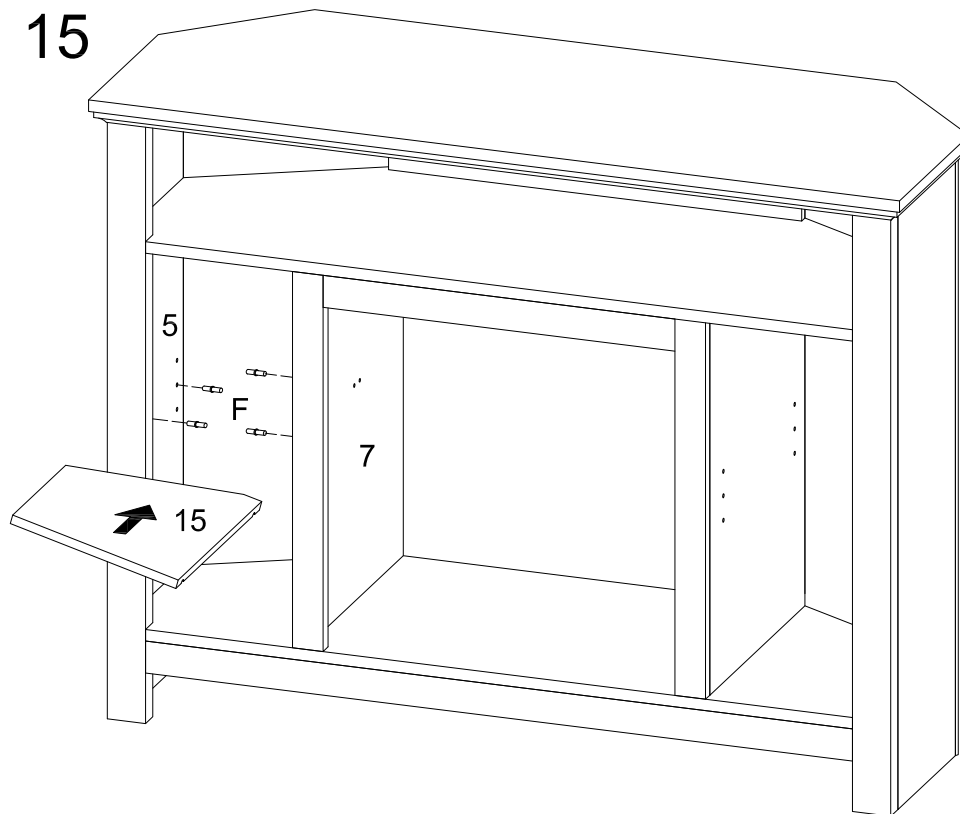
Attach parts (9) and (10) to frame assembly using bolts (E) as shown in the diagram.

Step 14



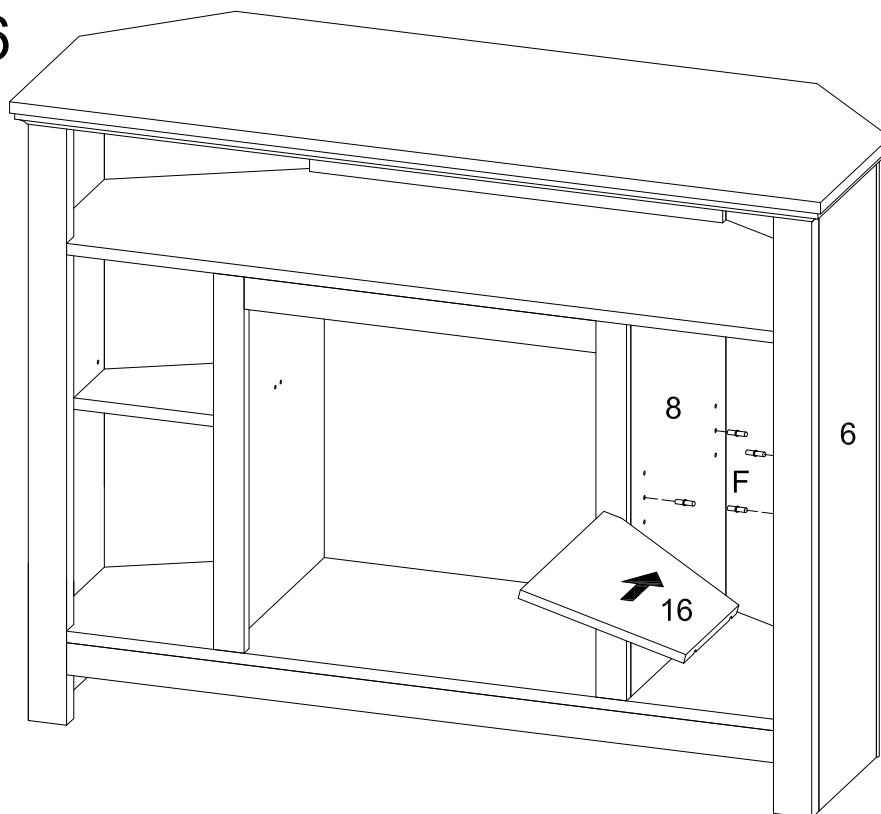
Secure top panel (1) to frame using cam locks (C) and (D) as shown in the diagram.

Step 15



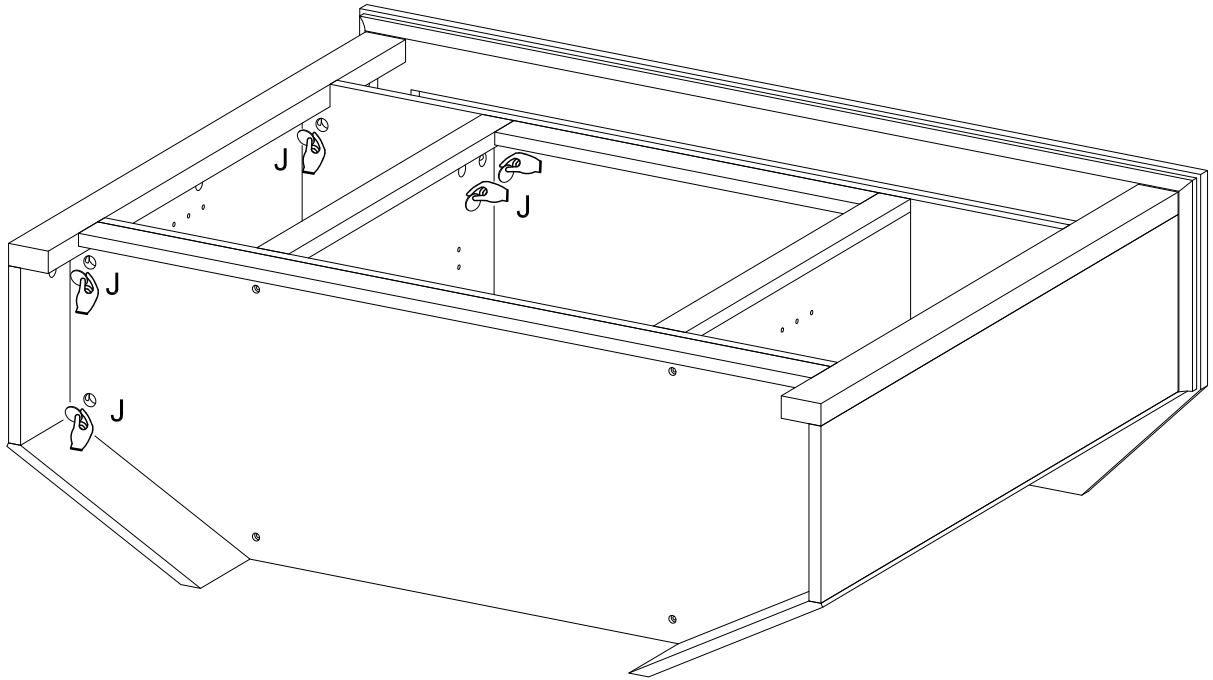
Insert shelf supports (F) and place shelf (15) carefully.

Step 16



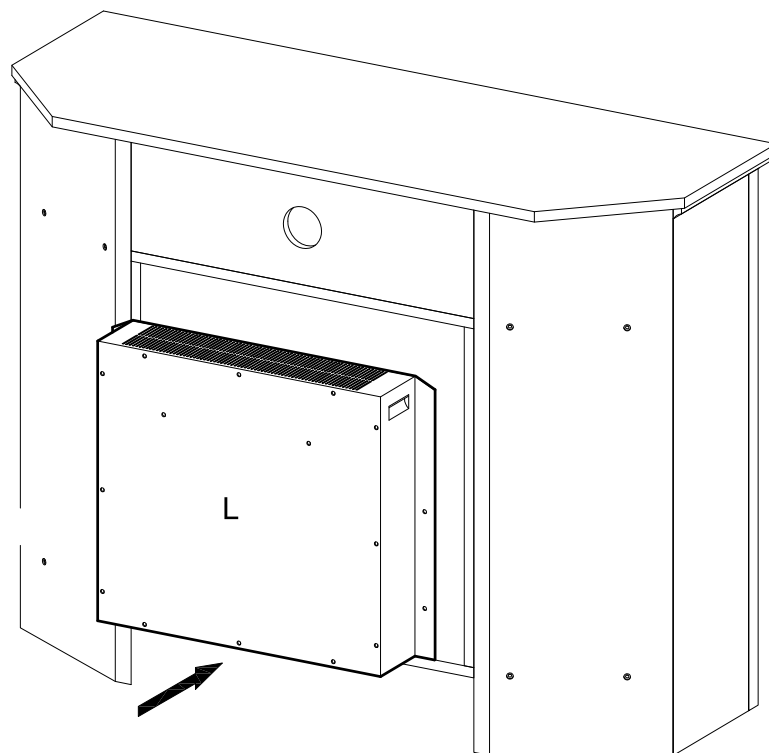
Insert shelf supports (F) and place shelf (16) carefully.

Step 17



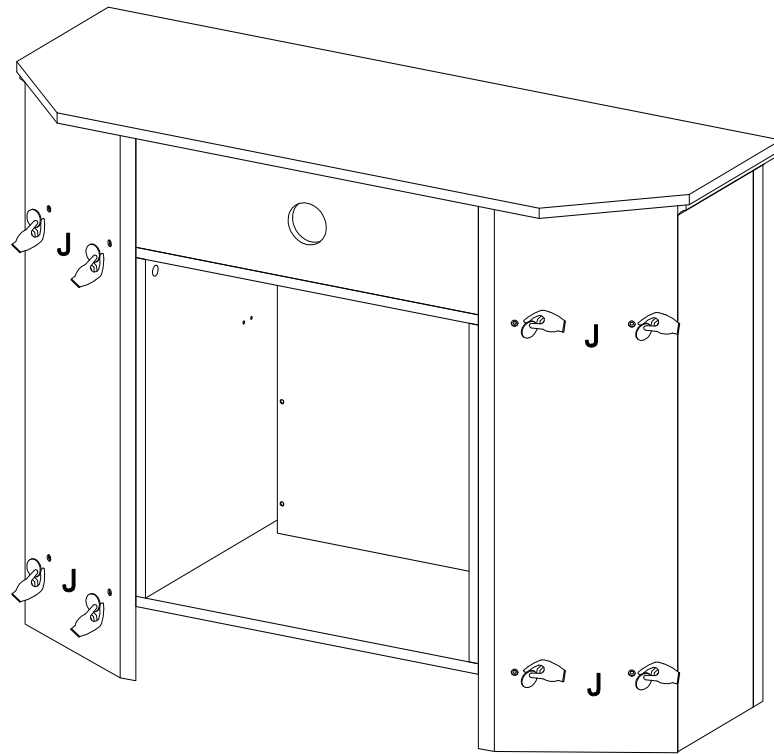
Place stickers (J) in designated areas as shown in the diagram.

Step 18



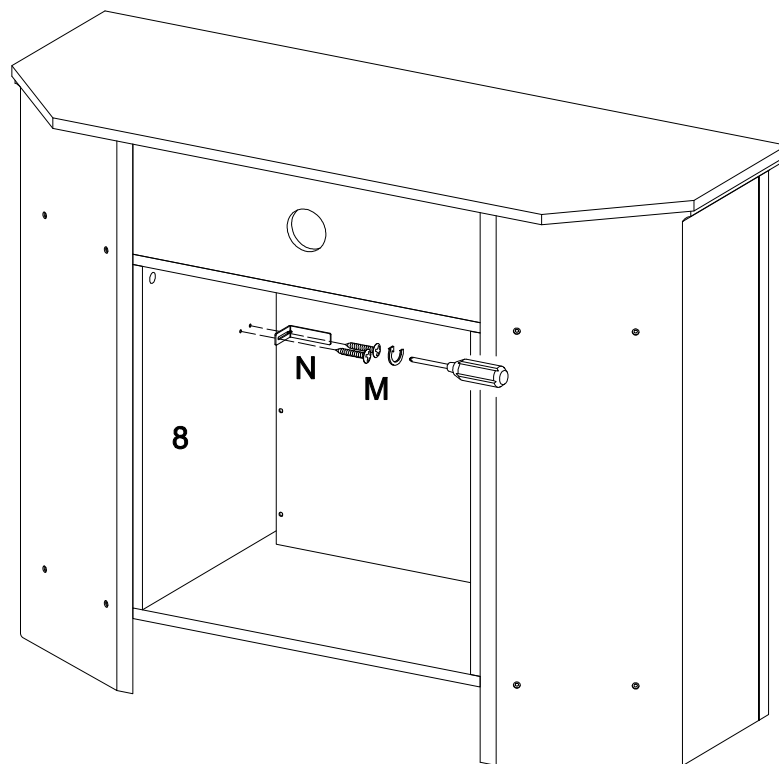
Place fireplace (L) into frame from the rear.

Step 19



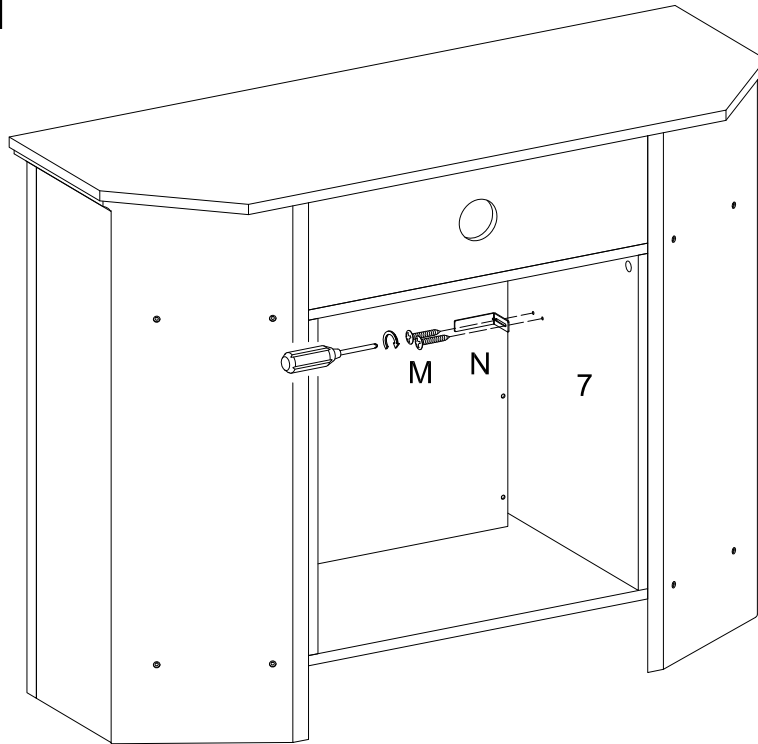
Place stickers (J) in designated areas as shown in the diagram.

Step 20



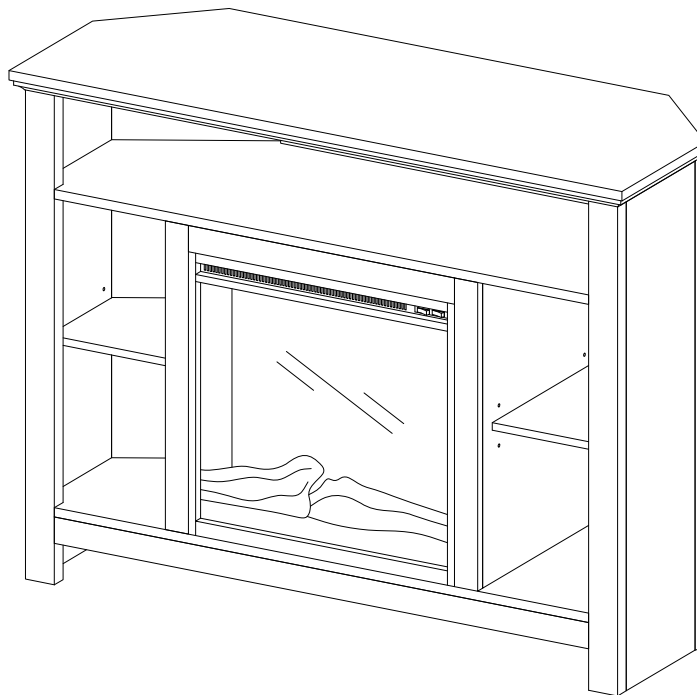
Be sure the fire place insert is positioned all the way forward in place. Use screw (M) to secure the L-shape bracket (N) to the side panels (8). Position the adjustable L-bracket to hold the Fireplace insert in place.

Step 21



Be sure the fire place insert is positioned all the way forward in place. Use screw (M) to secure the L-shape bracket (N) to the side panels (7). Position the adjustable L-bracket to hold the Fireplace insert in place.

Step 22



Final Assembly