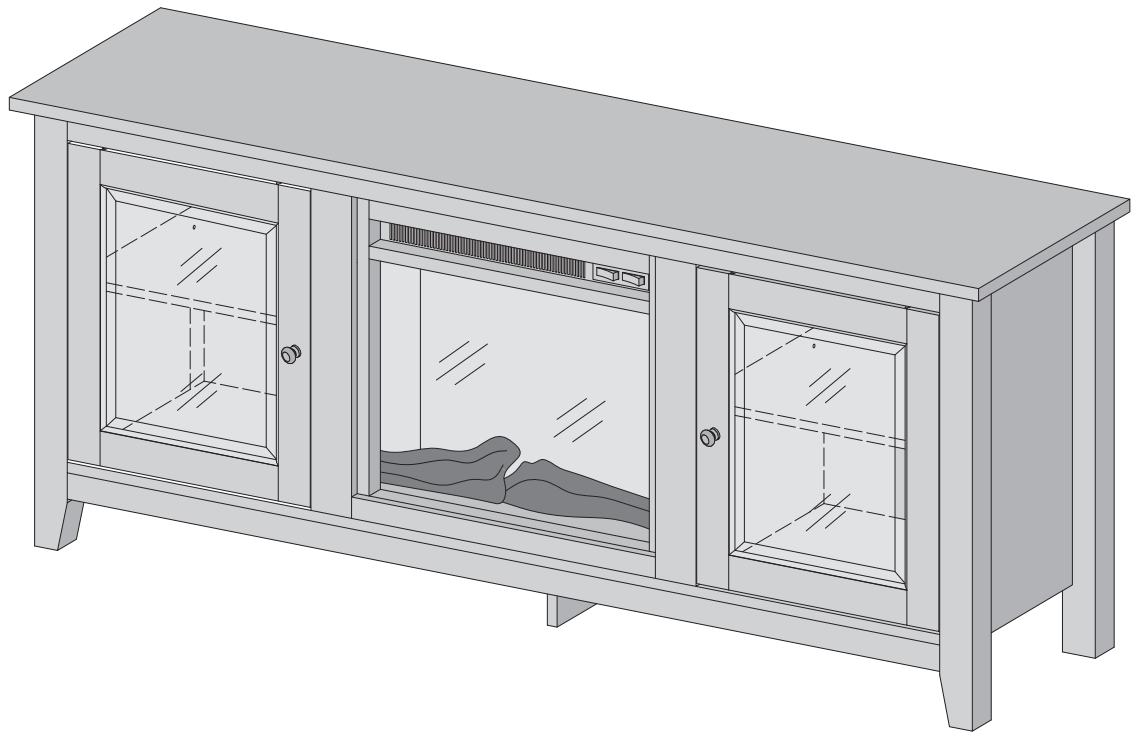


ITEM # : W58FP4DW
Assembly Instructions

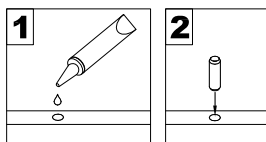


For the most current instructions, additional assembly tips, to report damage or request parts, please visit our website at www.walker-edison.com.

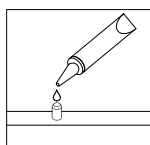
Revised 08/2017

General Assembly Guidelines

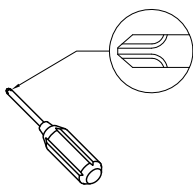
- I. Ensure that all parts and hardware are available before beginning assembly.
- II. Follow each step carefully to ensure the proper assembly of this product.
- III. Two people are recommended for ease in the assembly of this product.
- IV. The three main types of hardware used to assemble this product are : wood dowels , screws and bolts.
- V. The provided glue is to secure wood dowels in place . When first inserting dowels , locate the appropriate hole for the dowel , place a small amount of glue in the hole and insert the dowel . Wipe away excess glue immediately.



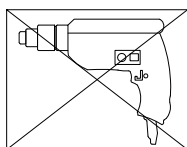
In future assembly steps when dowels are necessary to attach assembly parts together , place a small amount of glue on the end of the dowel before attaching parts together . Wipe away excess glue immediately.



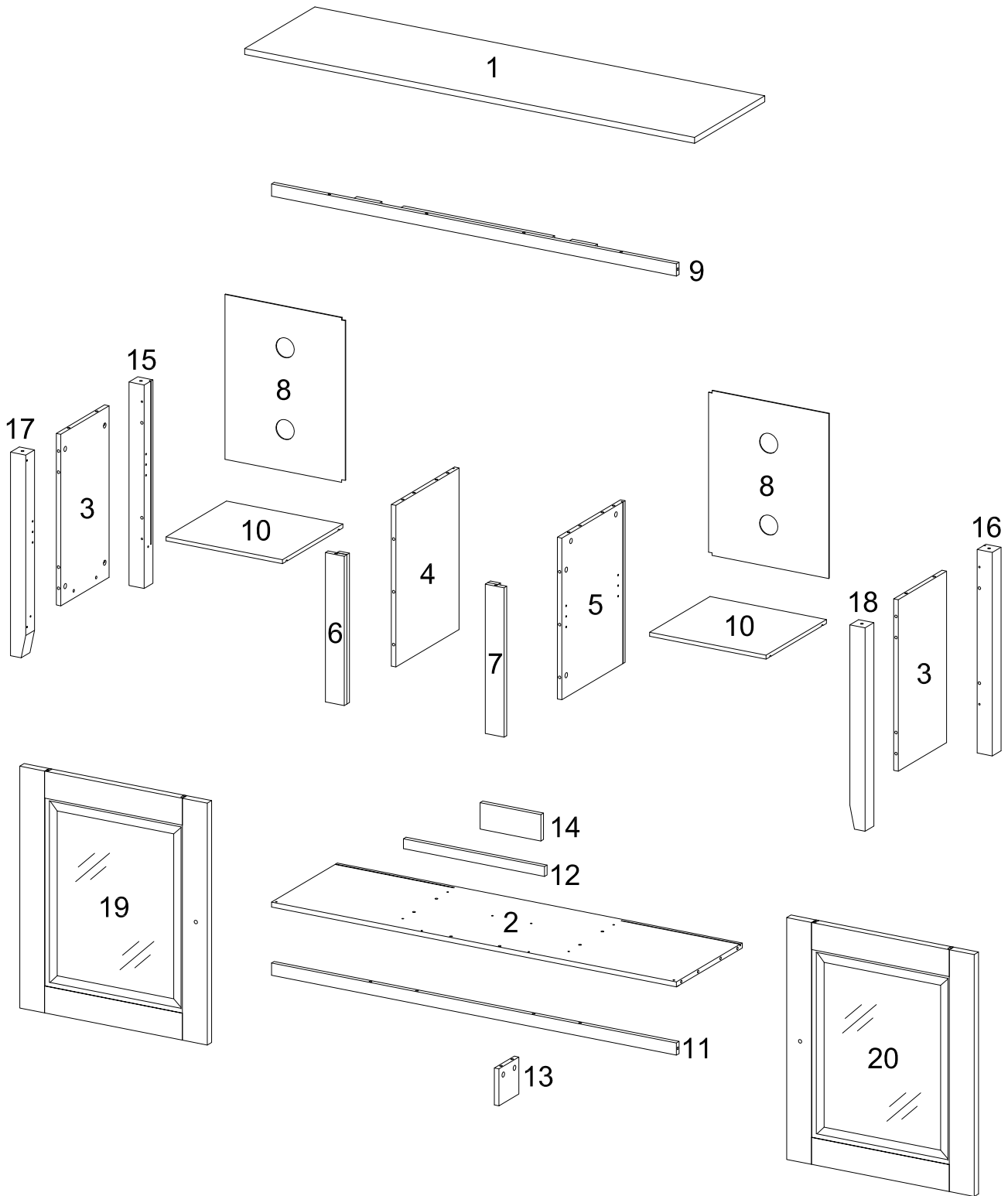
- VI. A Phillips head screwdriver is required for the assembly of this product .




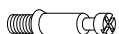

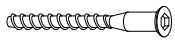
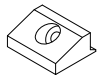




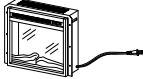
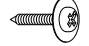
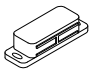

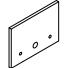
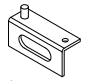
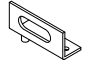




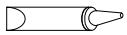

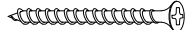
- VII. Power tools should not be used to assemble this product .

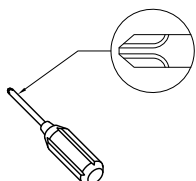


Parts List



Hardware List

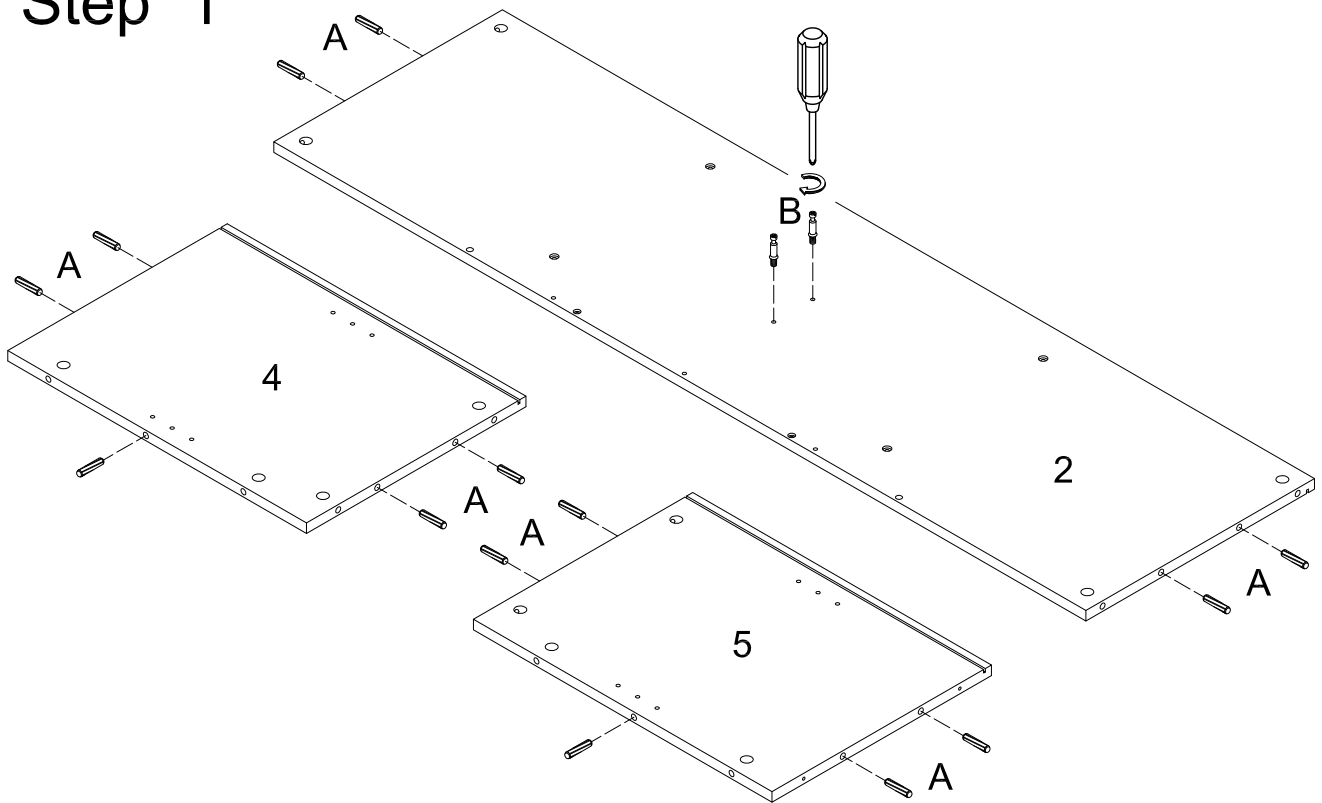
A		Ø8x30	Wooden dowel	34 pcs
B		Ø6x35	Cam bolt	34 pcs
C		Ø15x11	Cam lock	34 pcs
D		Ø6x50	Bolt	4 pcs
E			Plastic wedge	8 pcs
F		Ø3x17	Flat-head screw	8 pcs
G		Ø5x16	Shelf support pin	8 pcs
H		Ø4x31	Screw	2 pcs
I		Ø3x15	Screw	4 pcs
J			Fireplace Insert (F18V66L)	1 pc
K		Ø3x12	Screw	6 pcs
L			Door stopper	2 pcs
M		Ø3x12	Screw	10 pcs
N		30x20mm	Metal piece	2 pcs
P		40x15.5x15mm	Door Hinge	2 pcs
Q		40x15.5x15mm	Door Hinge	2 pcs
R		Ø9.5x12mm	Plastic pivot	4 pcs
S			Handle	2 pcs
T			Screw	2 pcs
U		M4	Wrench	1 pc
V			Glue tube	1 pc
W		Ø30	Sticker	34 pcs
X		Ø4x45	Screw	4 pcs



Philips head screwdriver required for assembly
(not included)

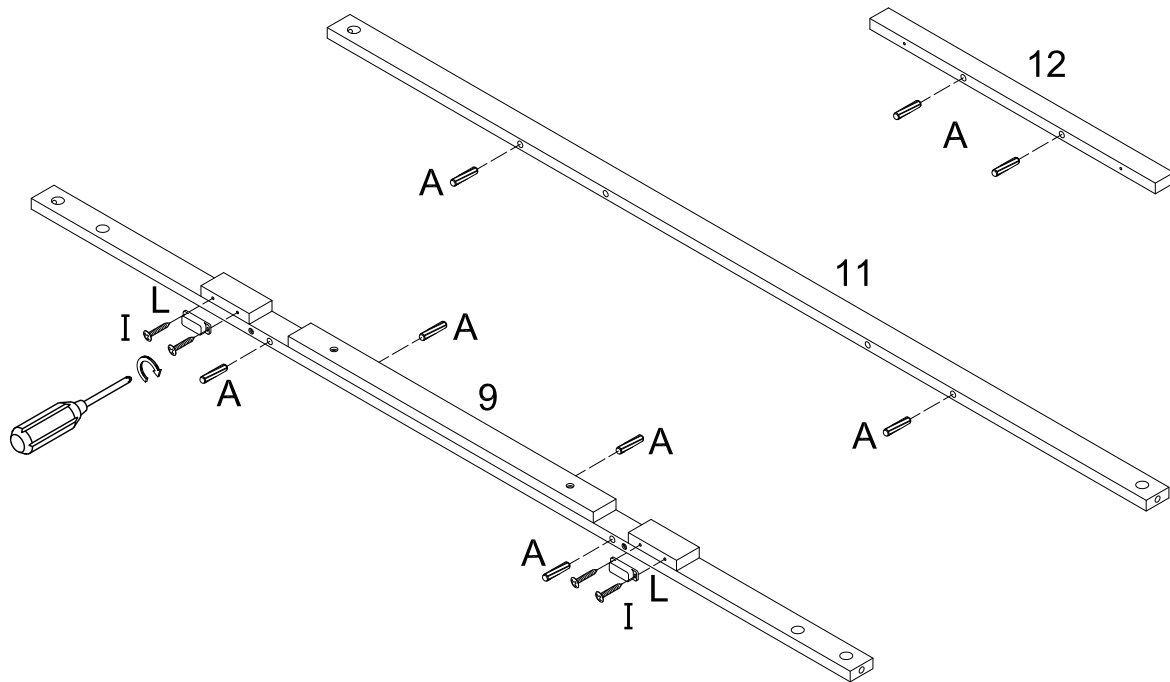
*The hardware quantities listed above are required for proper assembly.
Some extra hardware may also have been included.*

Step 1



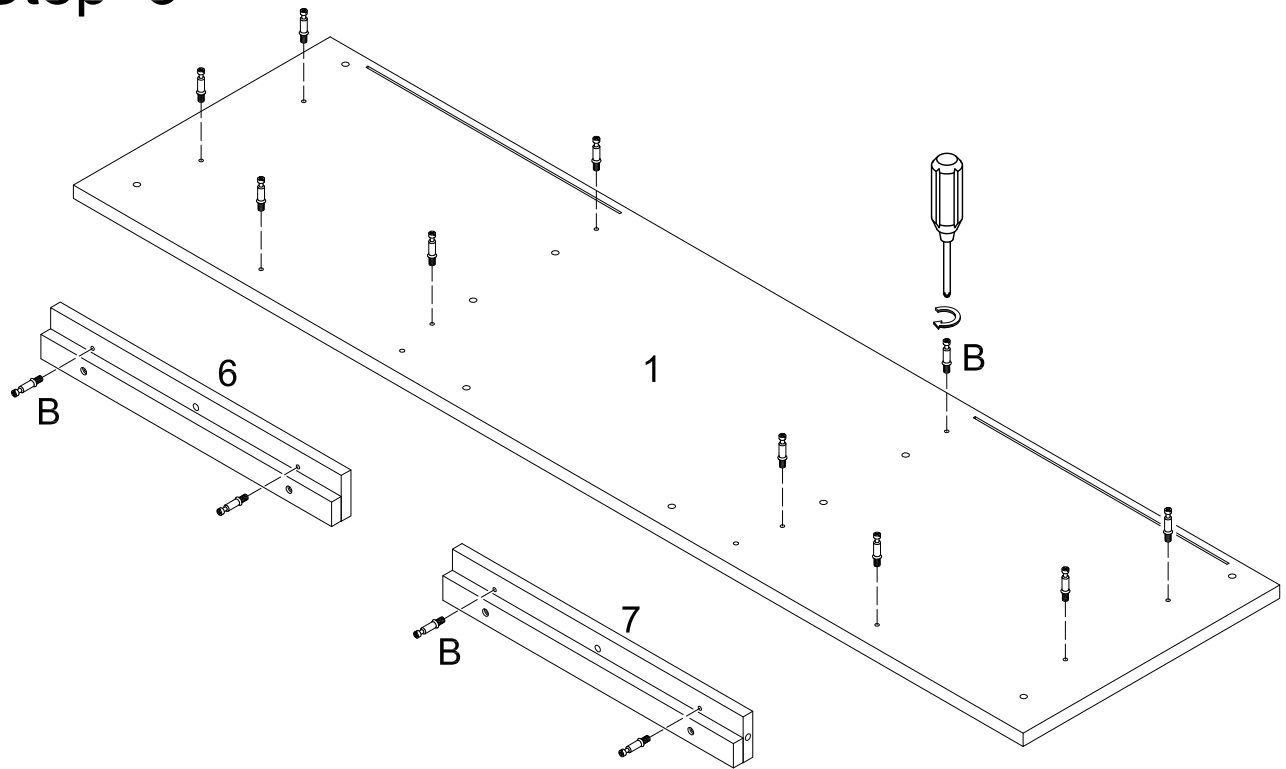
Insert the wooden dowel (A) into the bottom panel (2) and side panel (4)(5).
Insert the cam bolt (B) into the bottom panel (2).

Step 2



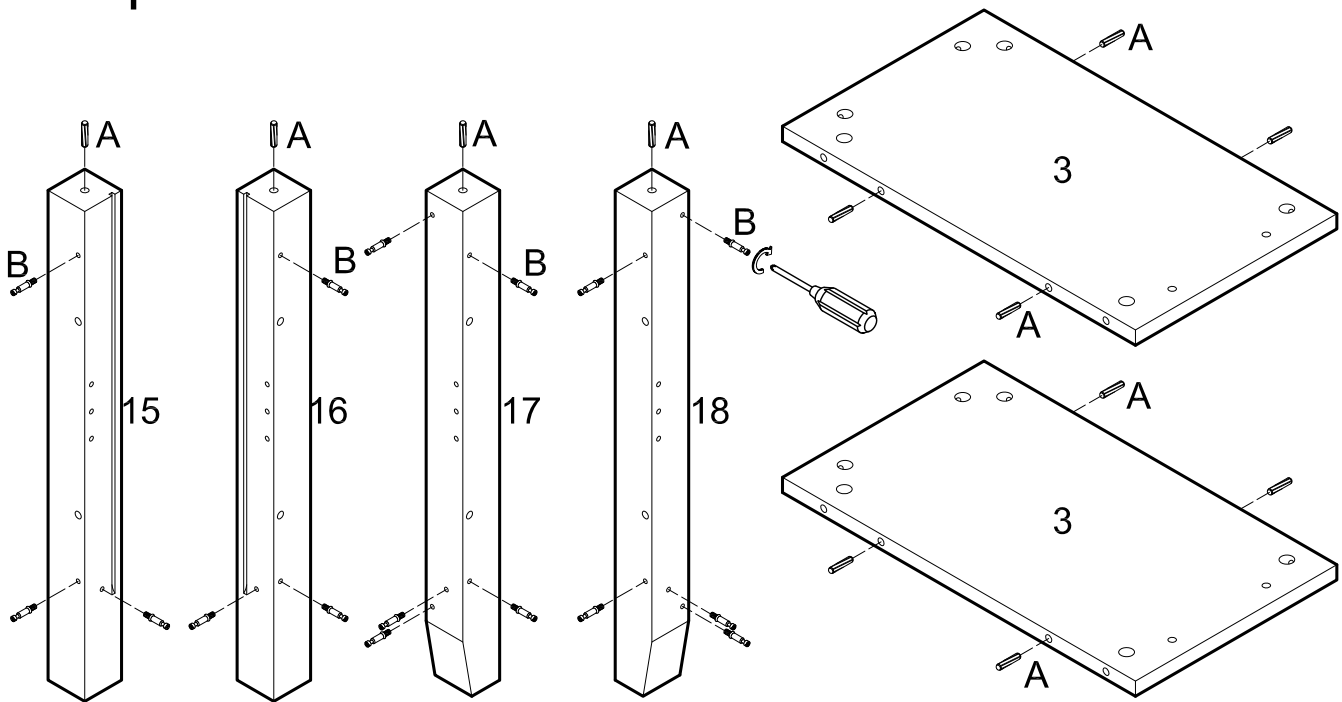
Insert the wooden dowel (A) into the front panel (9,11,12). Attach door stopper (L) to panel (9) using screws (I).

Step 3



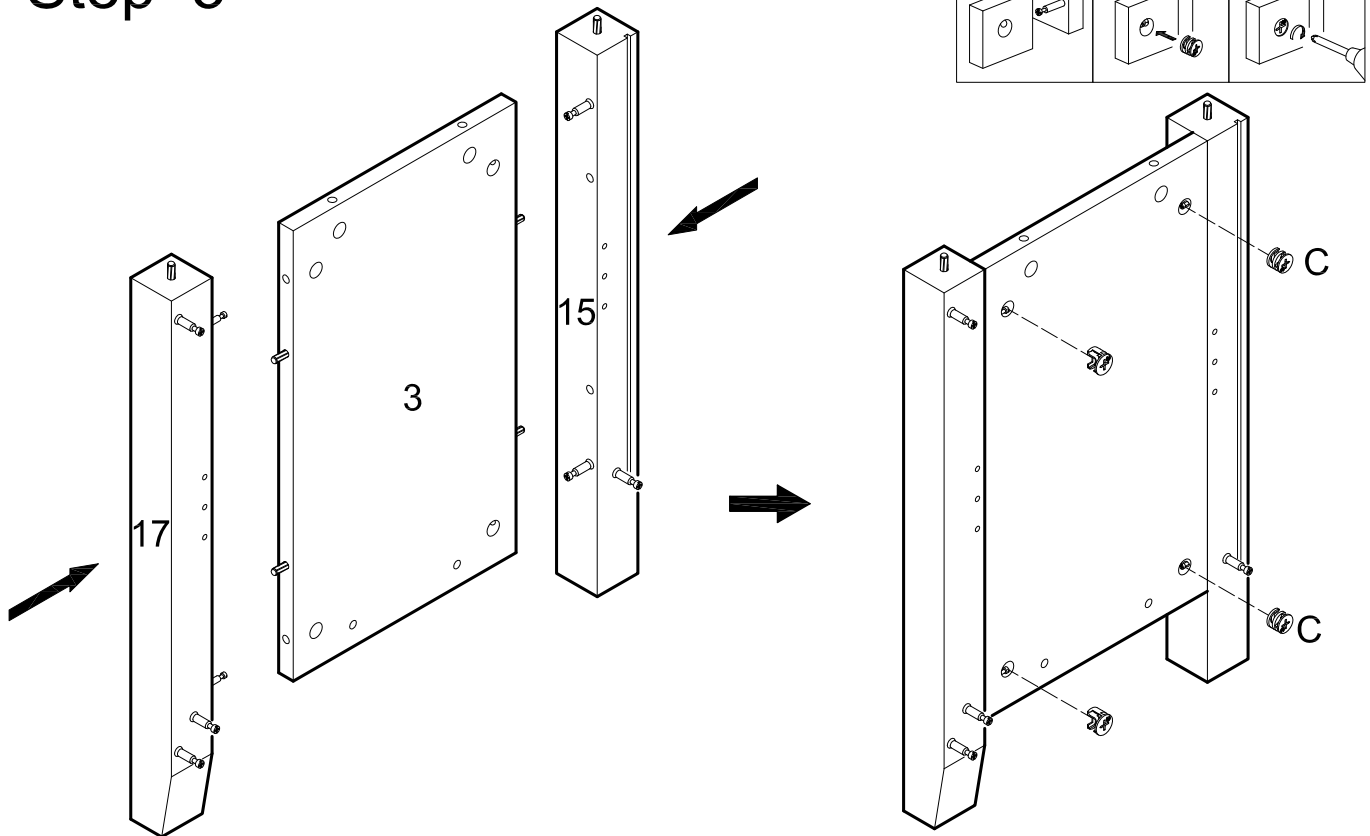
Insert the cam bolt (B) into the top panel (1) and support front panel (6,7) .

Step 4



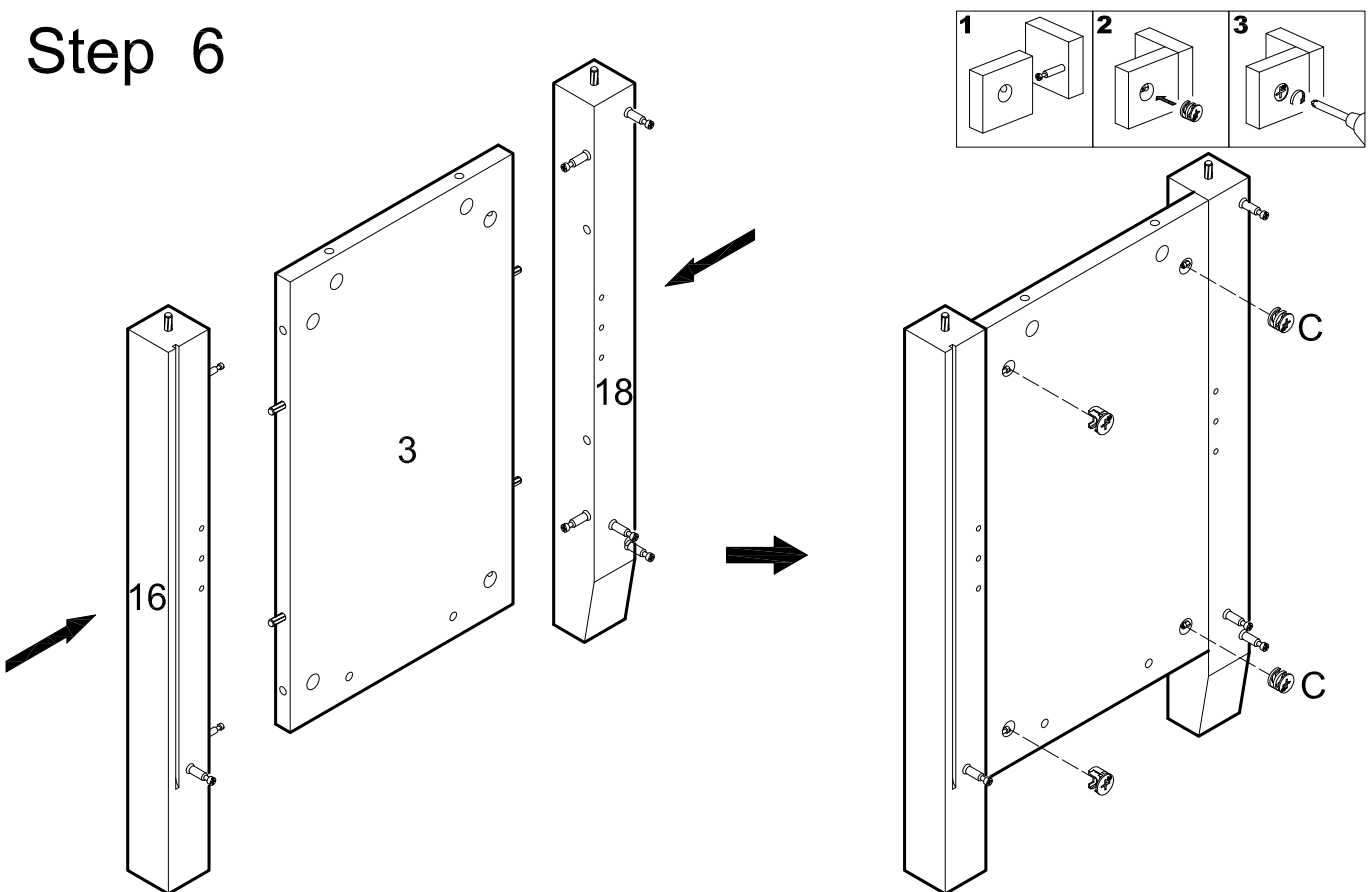
Insert the wooden dowel (A), cam bolt (B) into the wooden legs (15,16,17,18).
Insert the wooden dowel (A) into the side panel (3).

Step 5



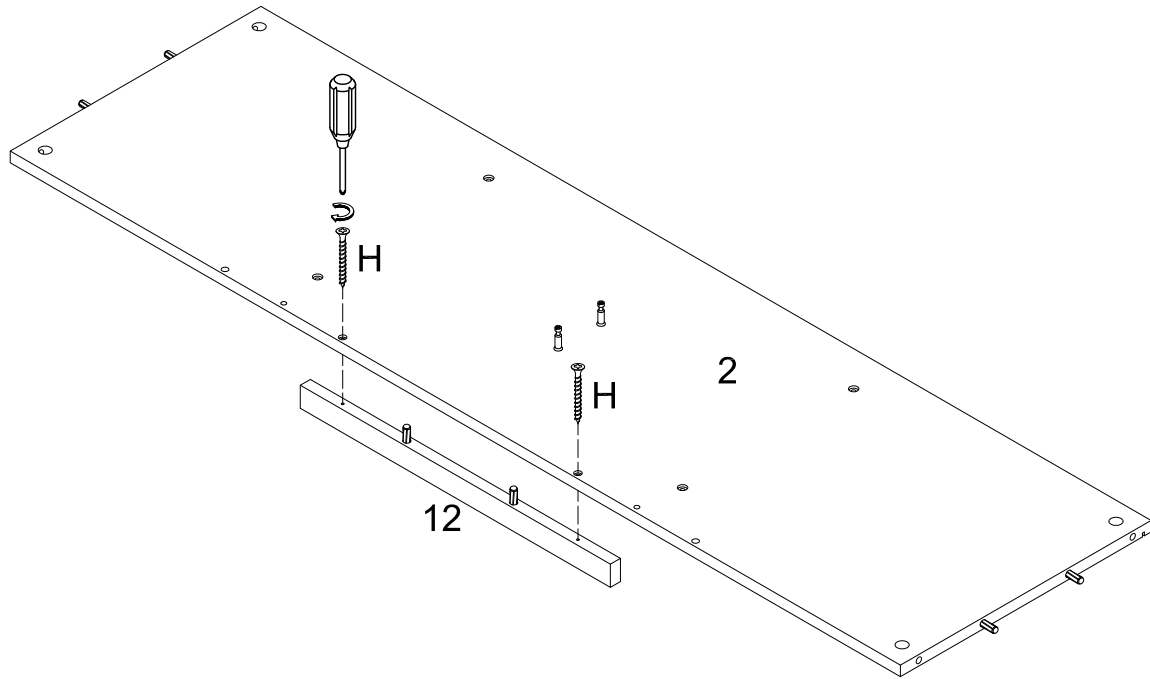
Use cam lock (C) to assemble the wooden legs (15,17) to the side panel (3).

Step 6



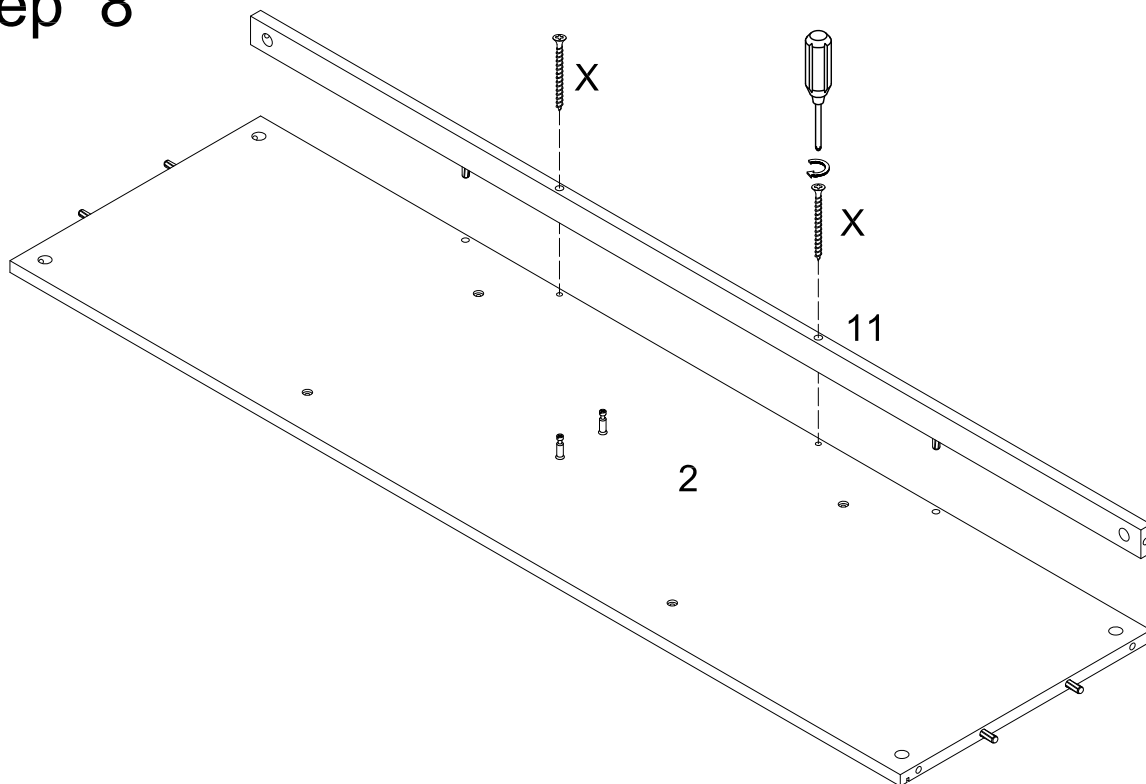
Repeat step #5 for wooden legs (16,18).

Step 7



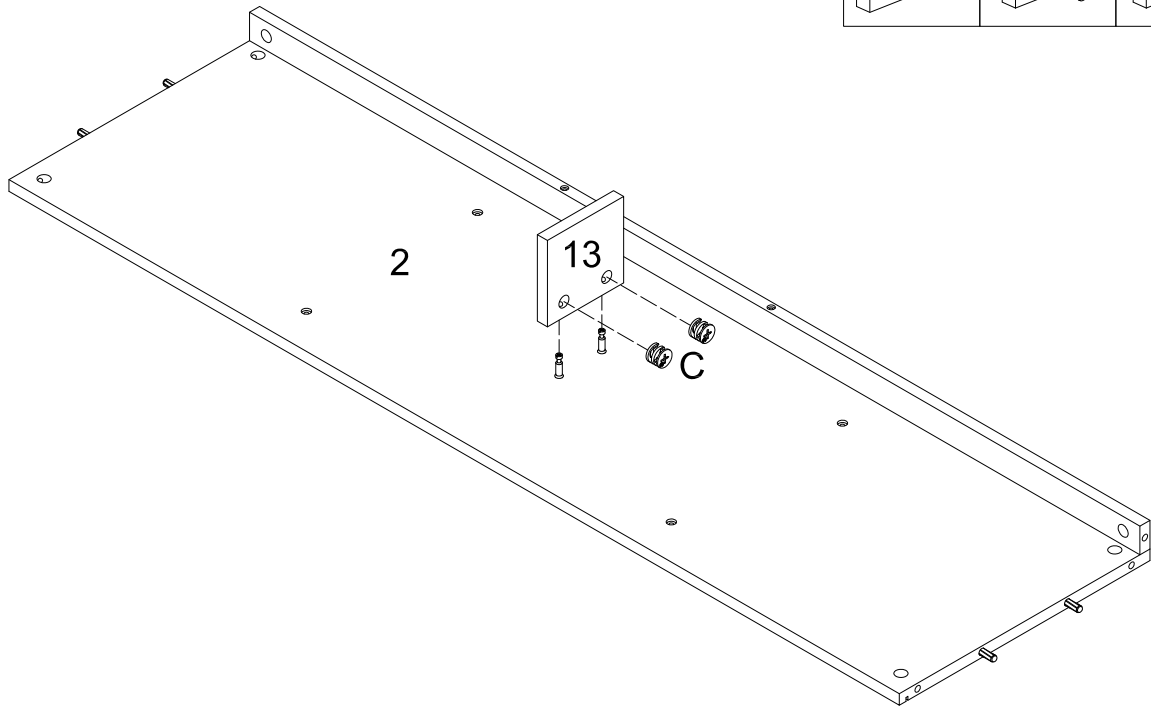
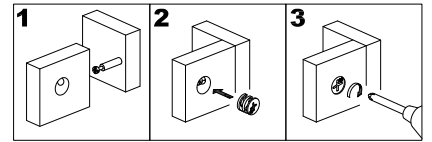
Upside down the bottom panel (2) and assemble the front panel (12) with screw (H).

Step 8



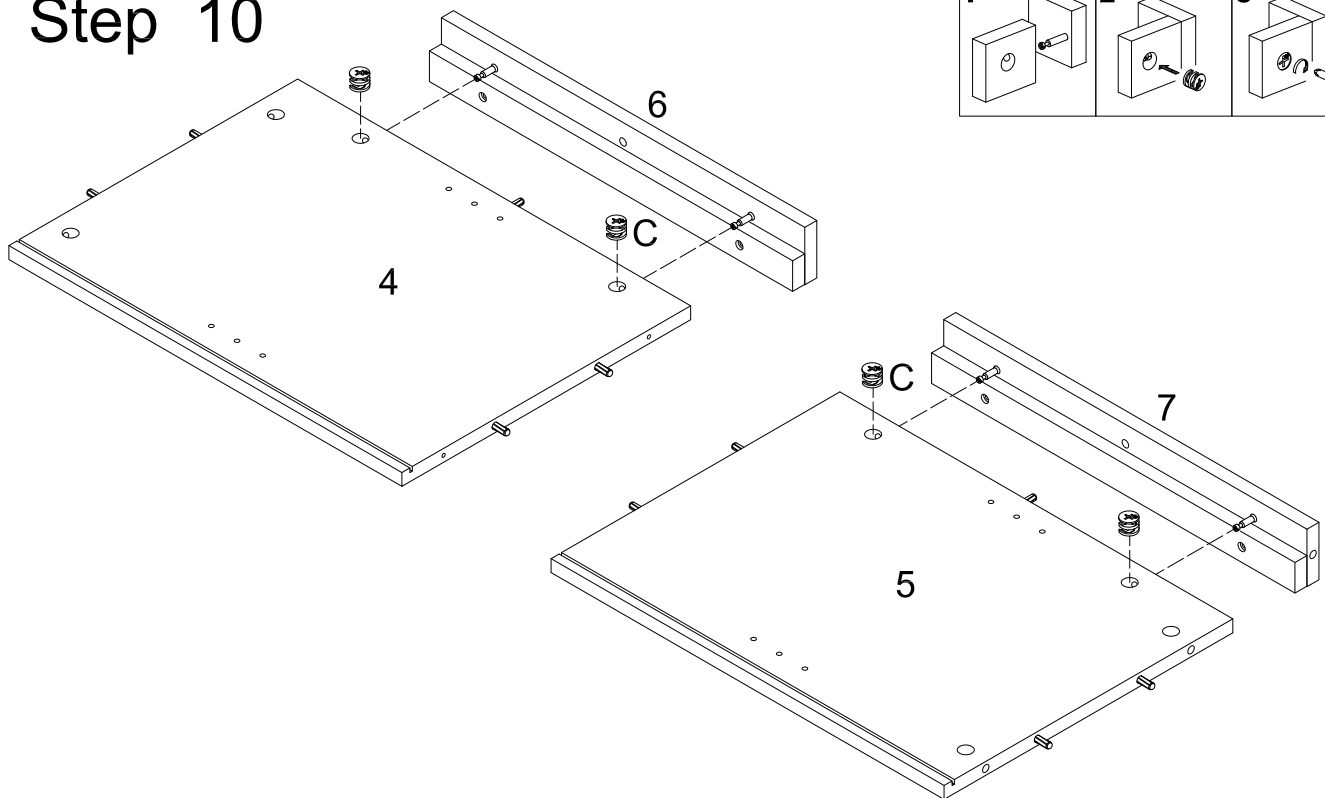
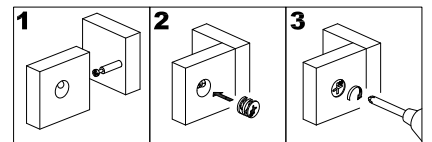
Use screw (X) to assemble the front panel (11) to the bottom panel (2).

Step 9



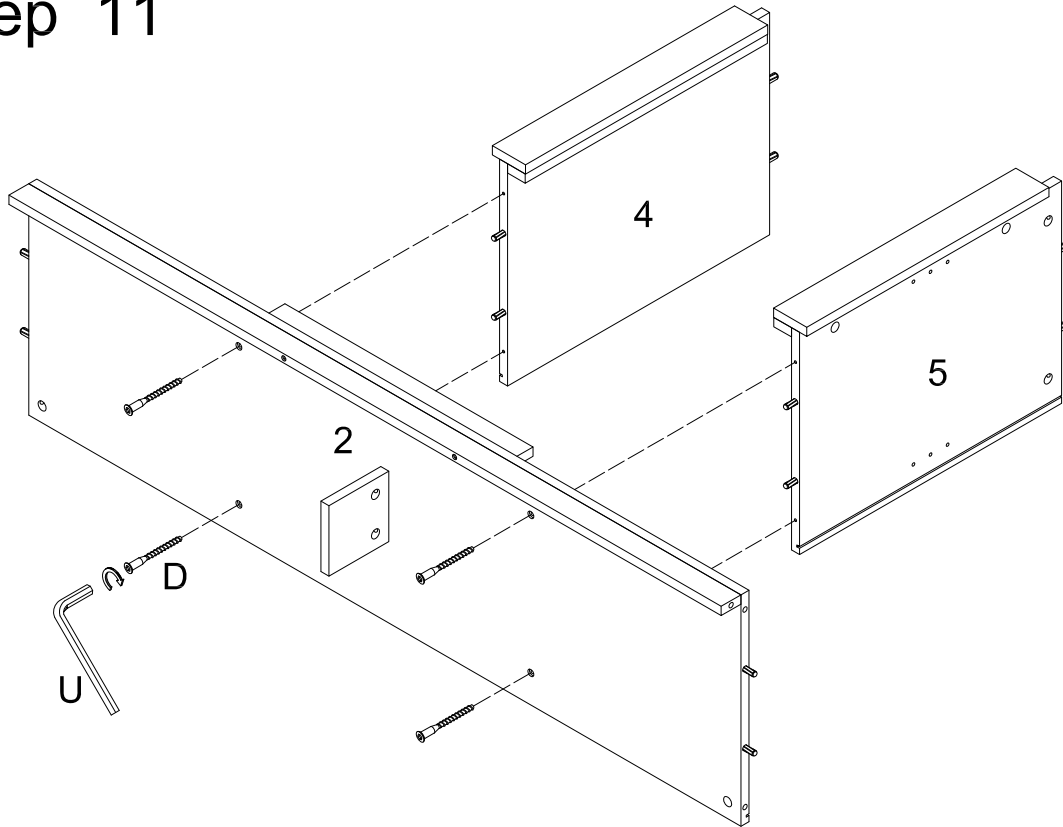
Use cam lock (C) to assemble the support panel (13) to the bottom panel (2).

Step 10



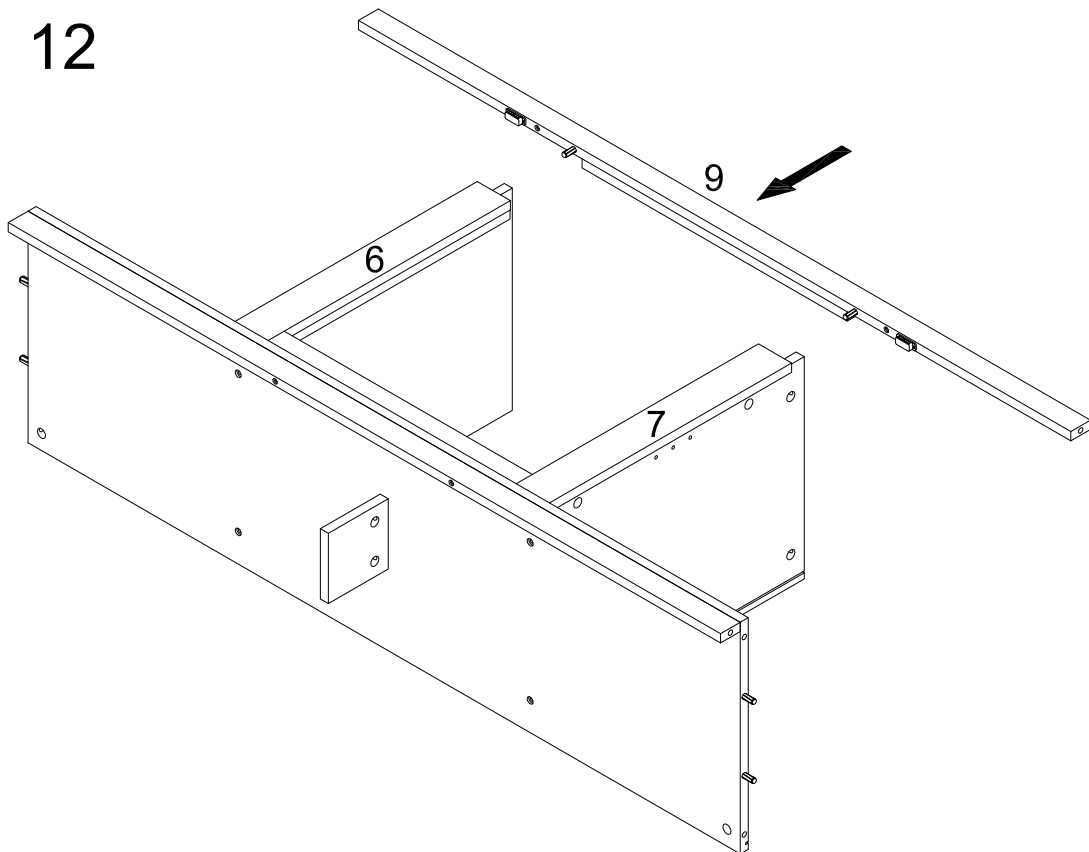
Use cam lock (C) to assemble the front panel (6,7) to the side panel (4,5).

Step 11



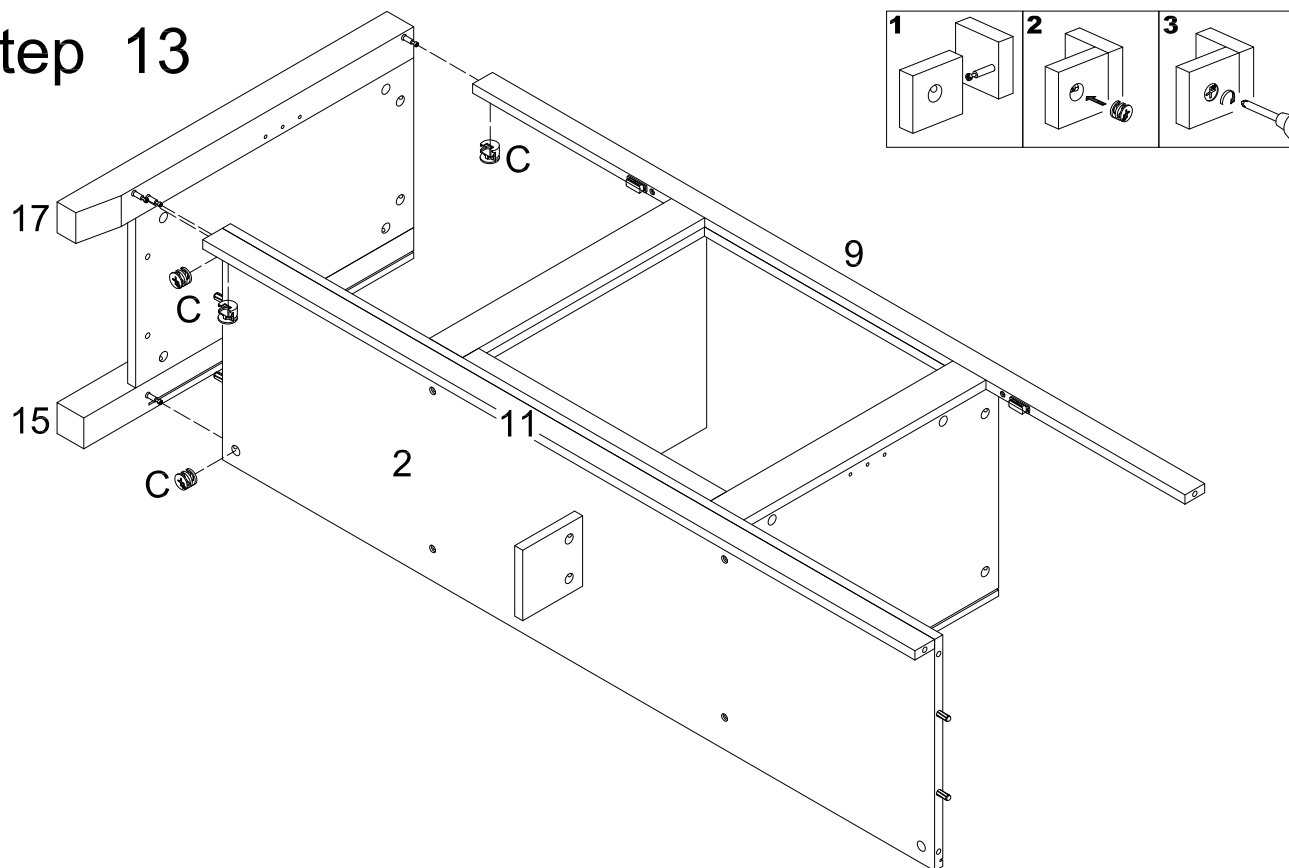
Assemble the side panel (4,5) to the bottom panel (2) and secure it by bolts (D) and wrench (U).

Step 12



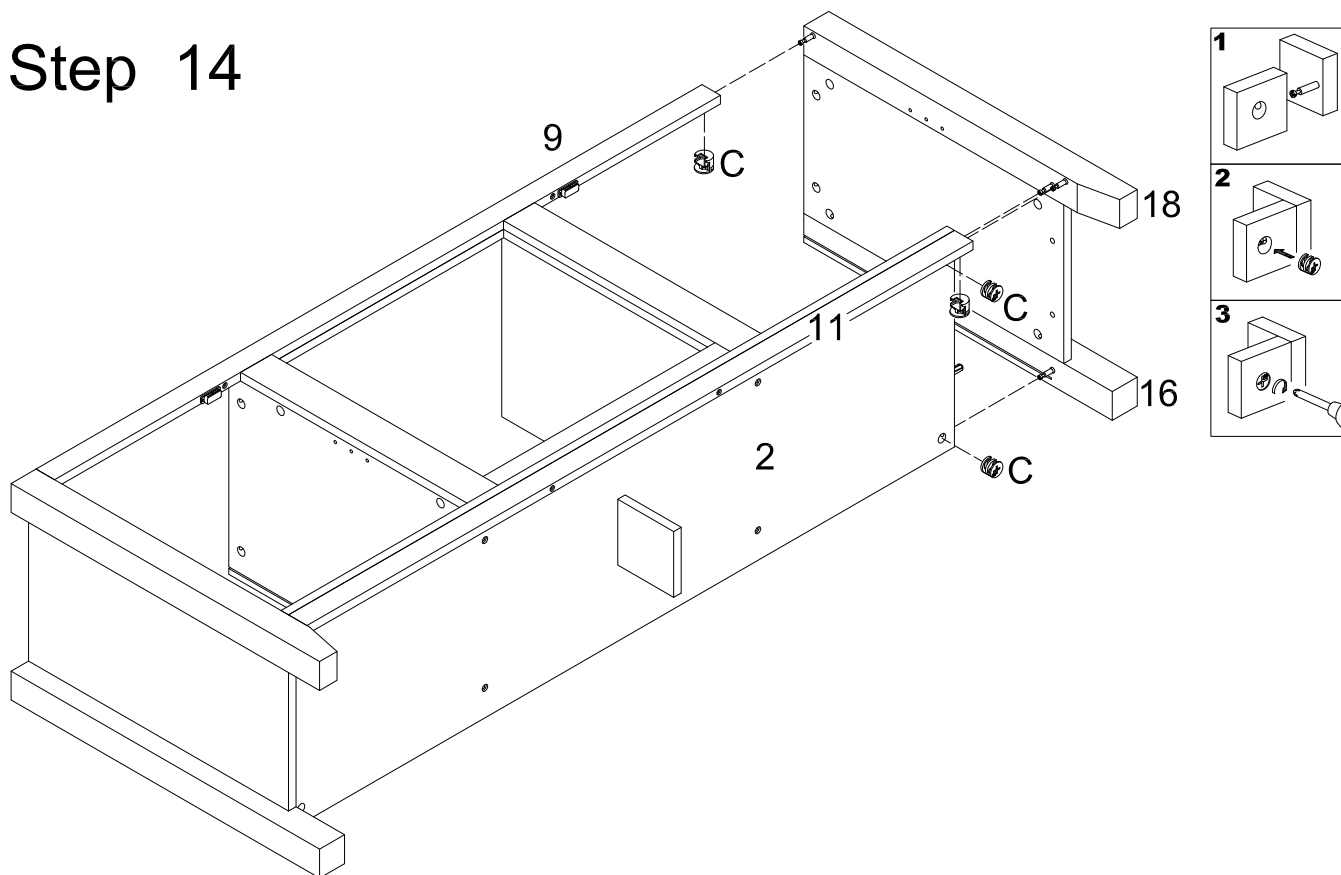
Insert the front panel (9) to the front panel (6,7).

Step 13



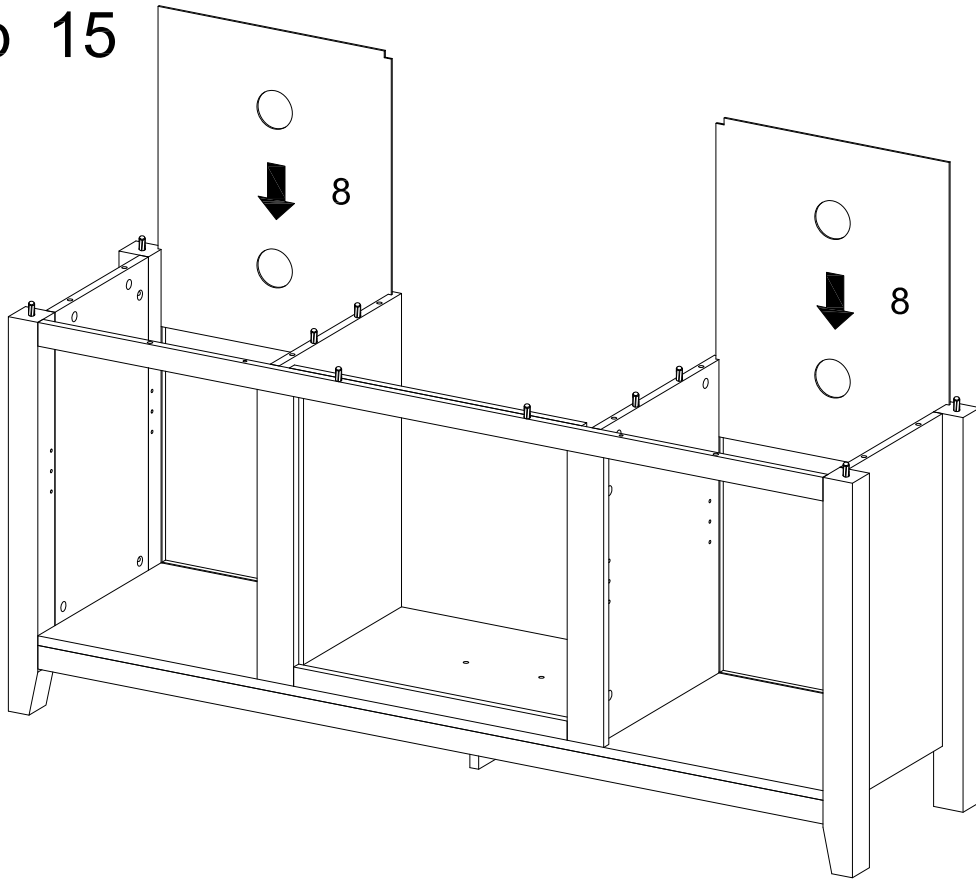
Assemble the wooden leg (15,17) to the front & bottom panel (2,9) and secure it with cam lock (C).

Step 14



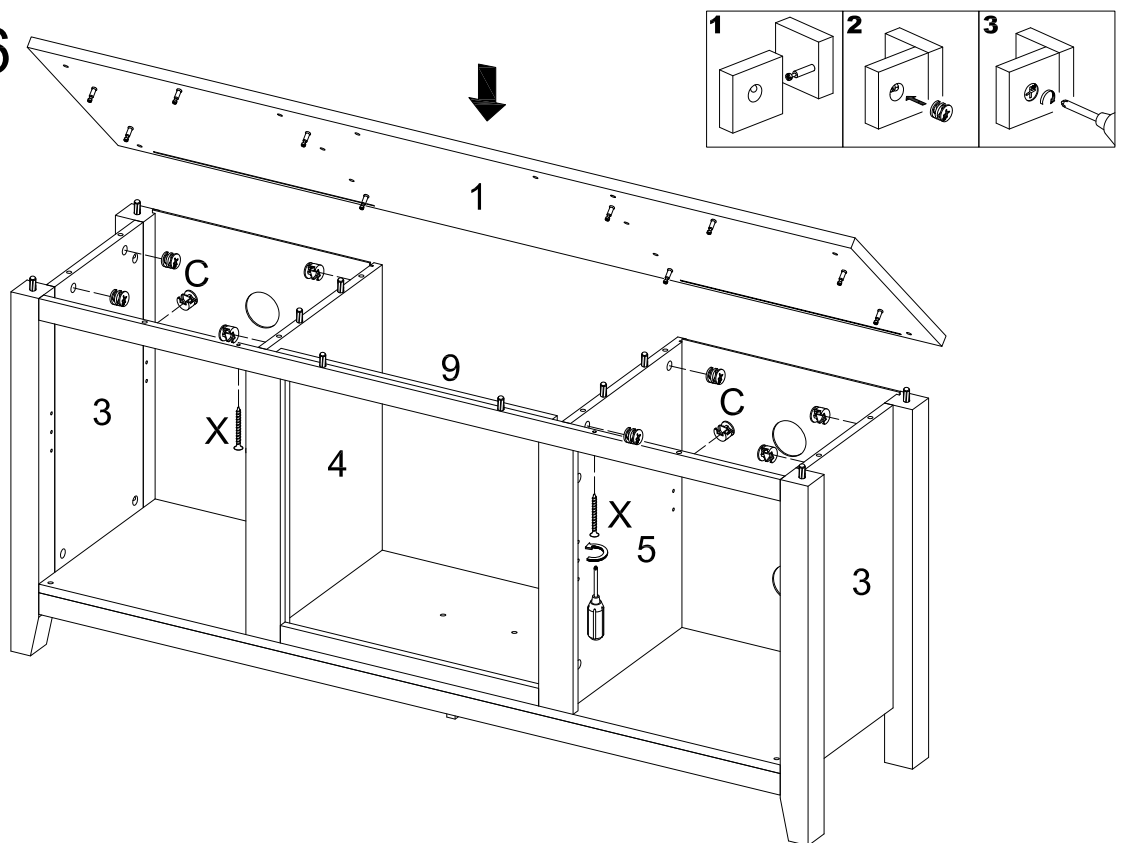
Repeat step #13 for wooden leg (16,18).

Step 15



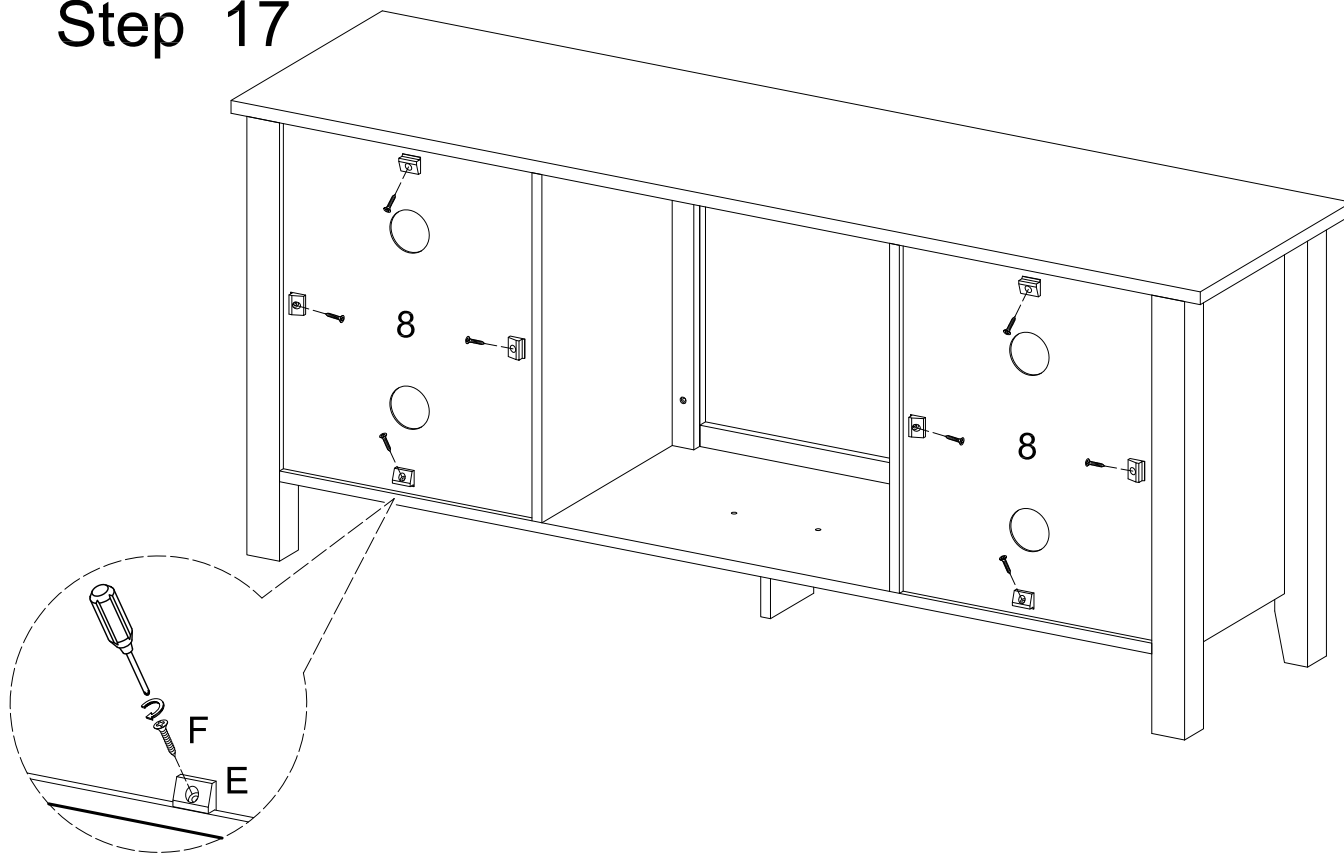
Right up the stand and slot in the back panel (8) to the side panels. Please pay attention on the corner direction of the back panel.

Step 16



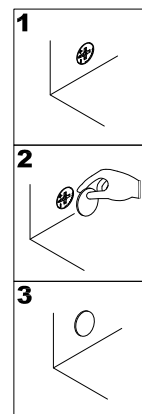
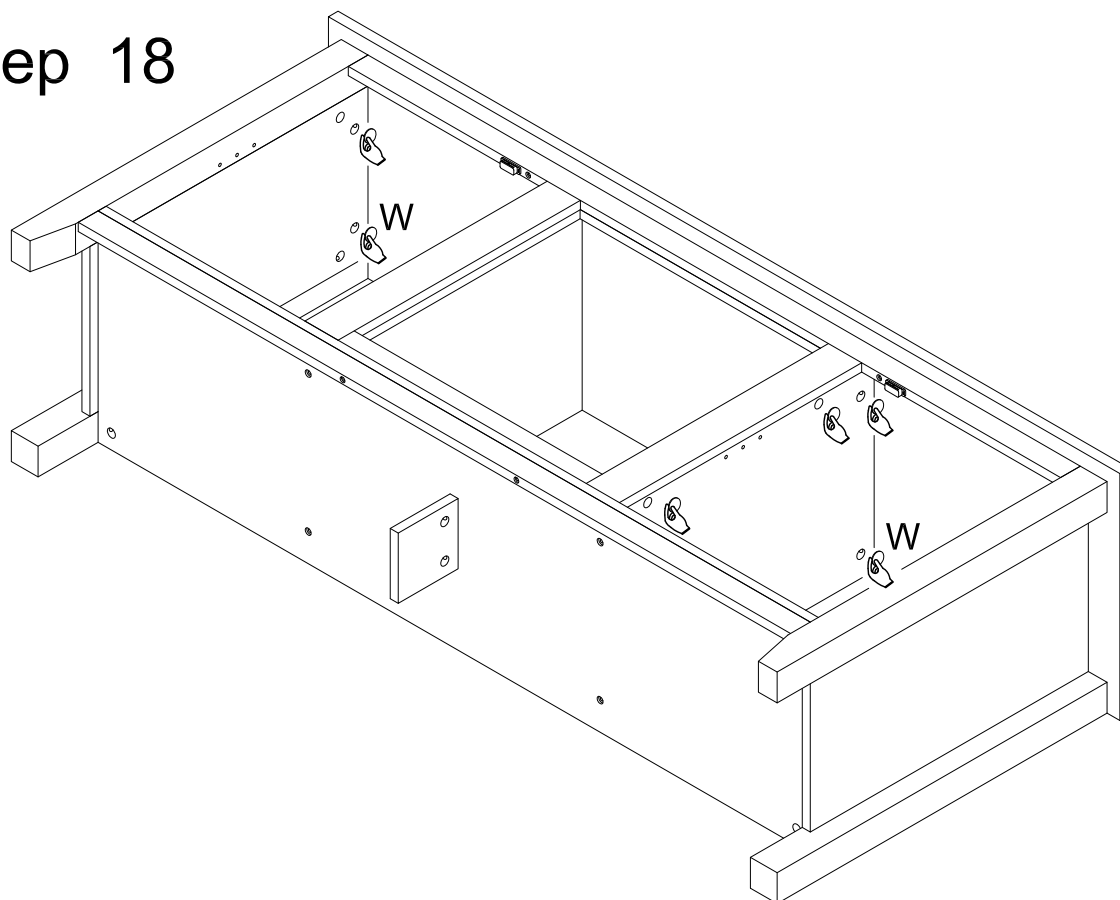
Place the top panel (1) to the stand and secure it with the cam locks (C) and screw (X).

Step 17



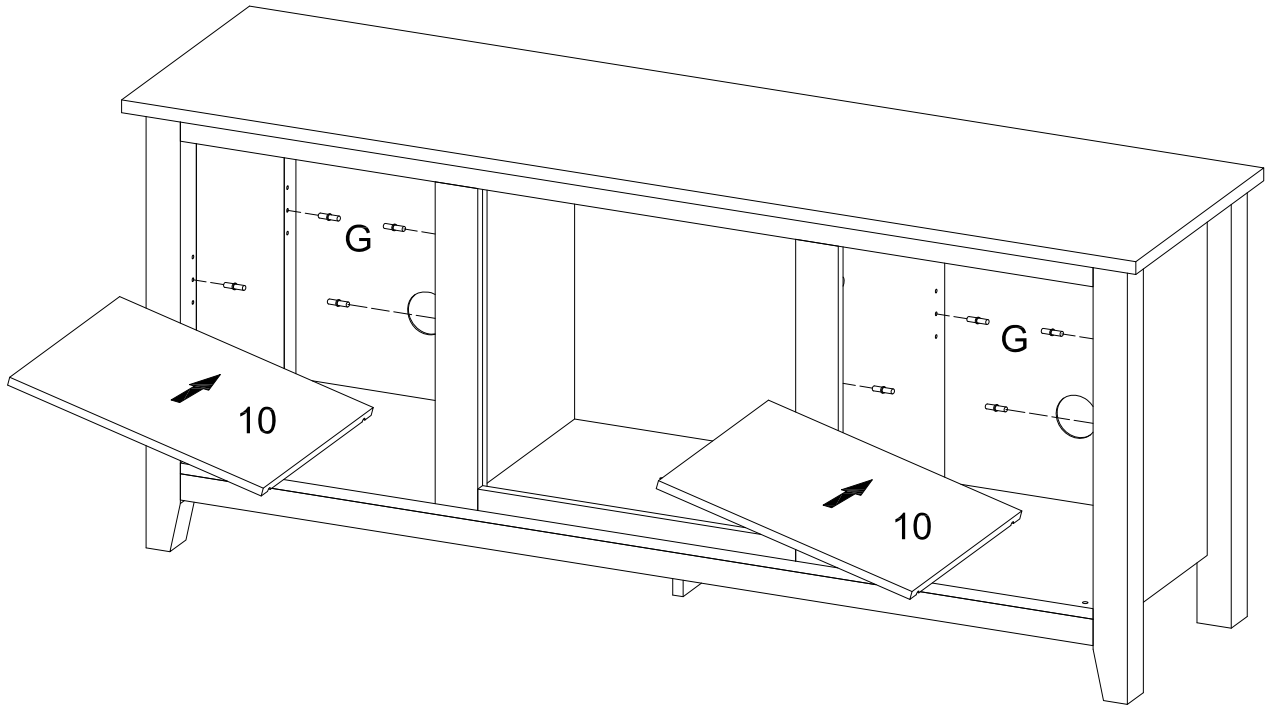
Use flat-head screw (F) and plastic wedge (E) to secure the back panel (8).

Step 18



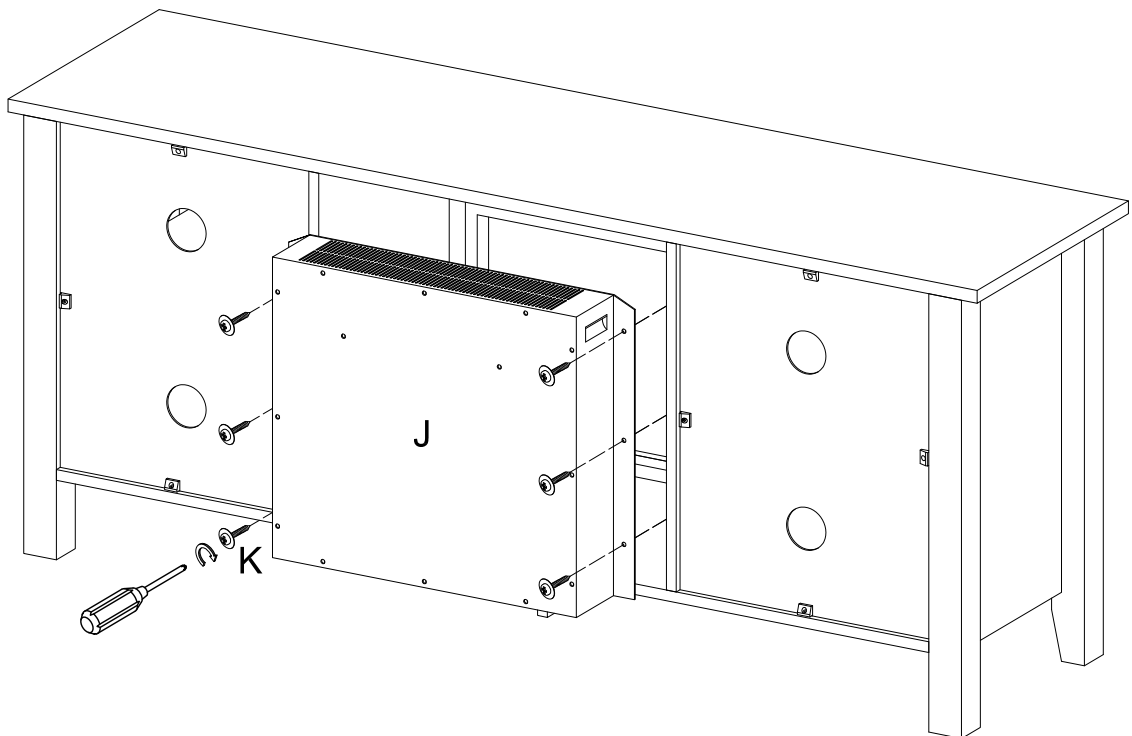
Attached the sticker (W) to cover the cam lock (C).

Step 19



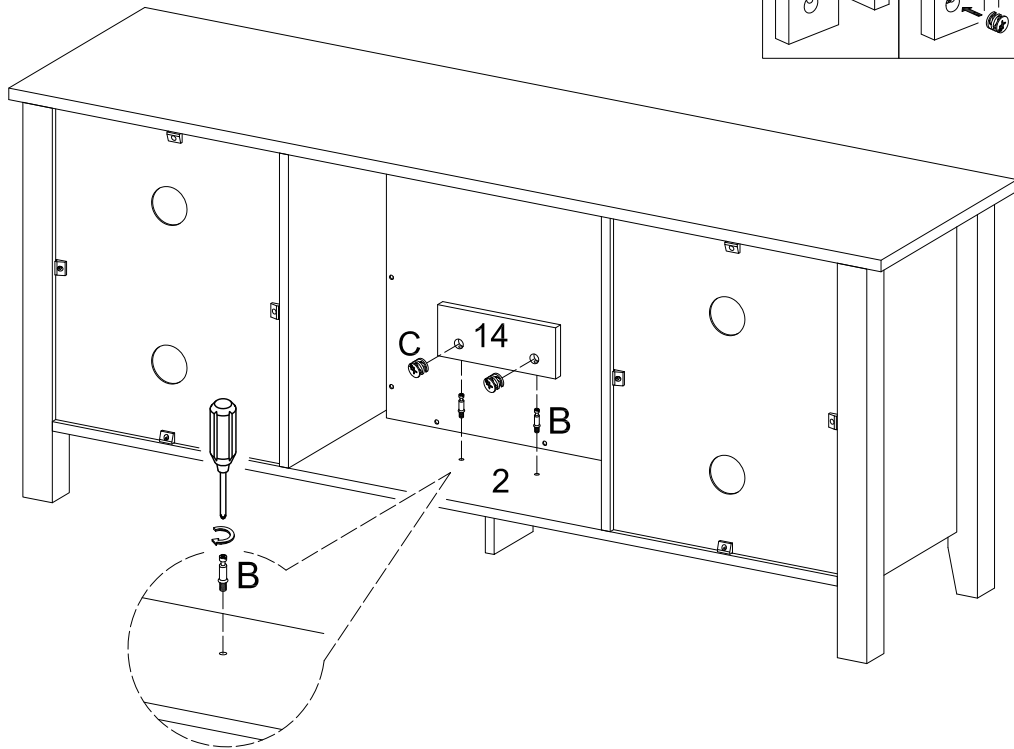
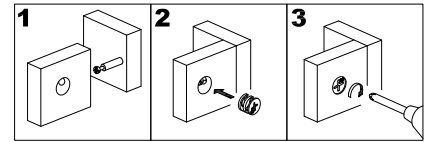
Input the shelf support pin (G) to the stand and place the wooden shelf (10) on top.

Step 20



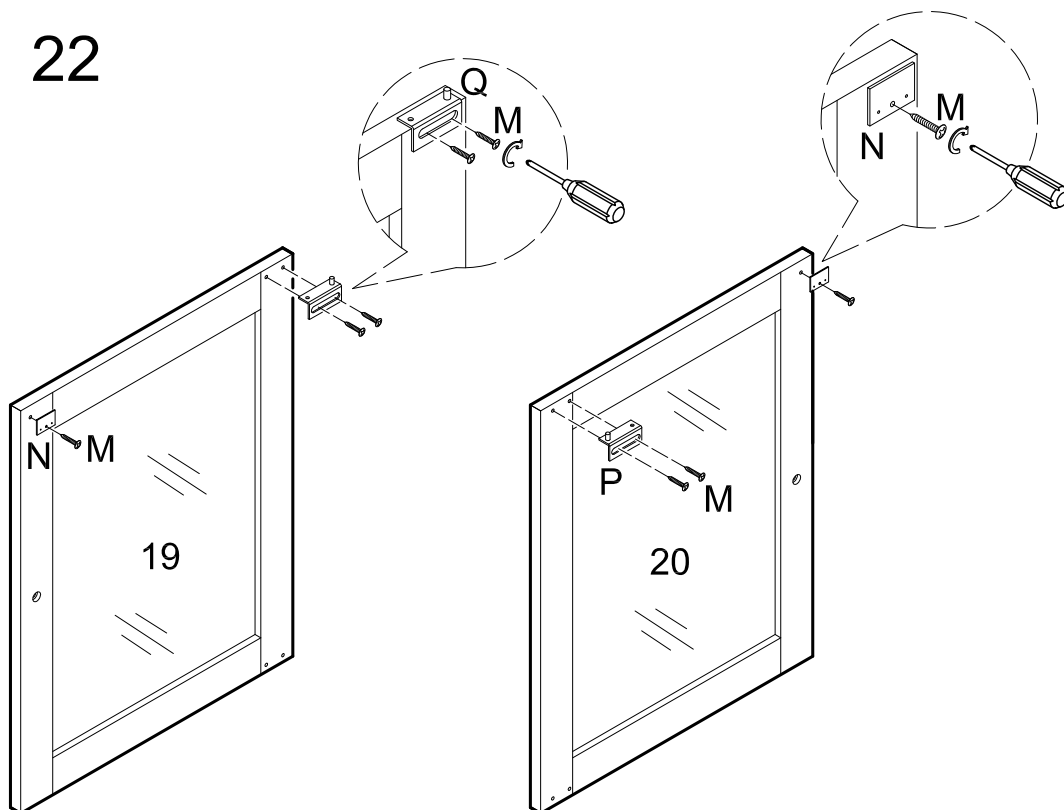
Assemble the fireplace insert (J) to the stand and secure it with screw (K).

Step 21



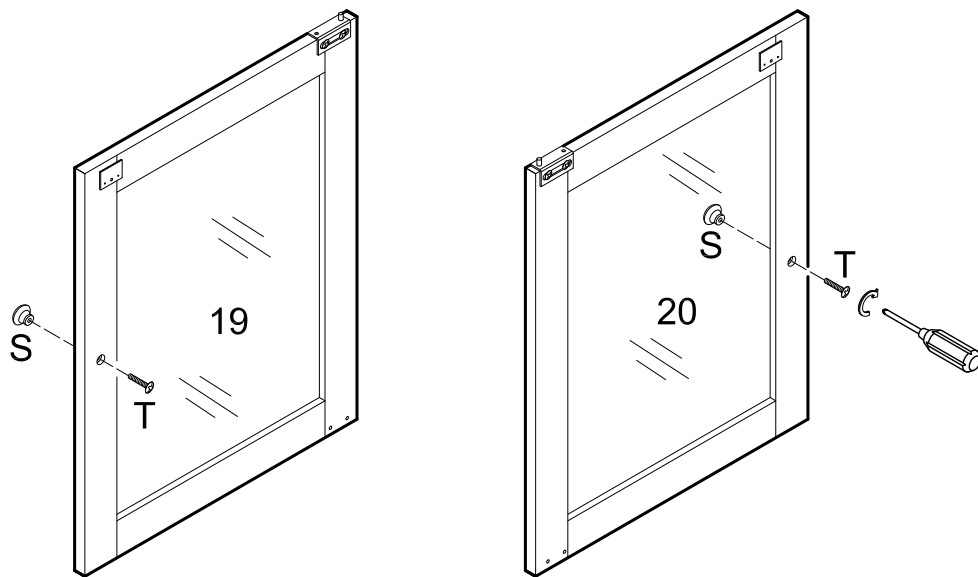
For security, insert the cam bolts (B) and use cam lock (C) to assemble the support panel (14) to the bottom panel (2).

Step 22



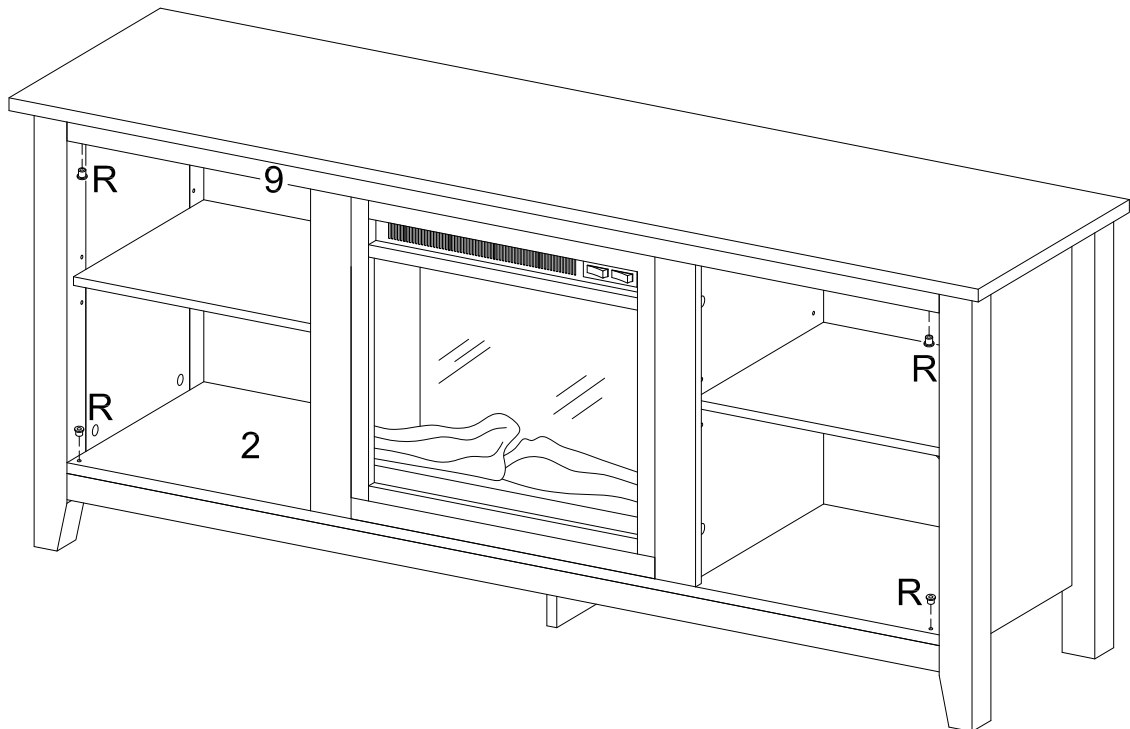
Attach door stopper plates (N) to doors (19,20) using screws (M). Attach door hinge (Q) to door (19) using screws (M). Attach door hinge (P) to door (20) using screws (M).

Step 23



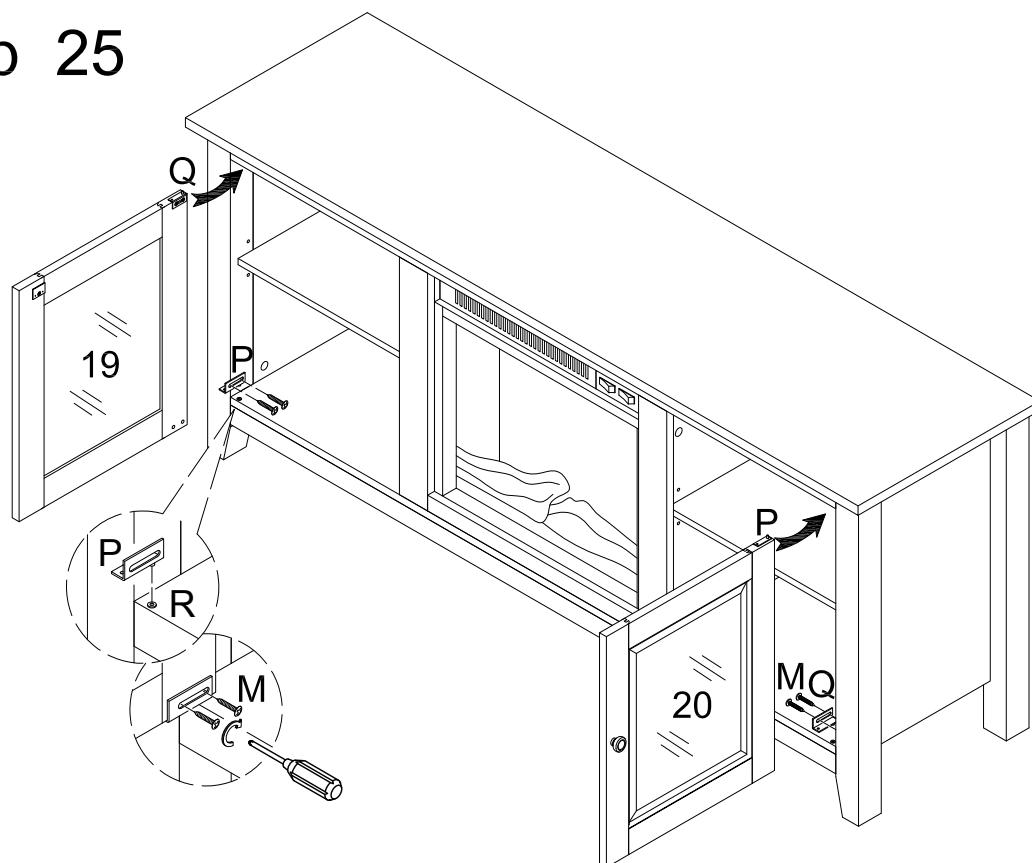
Attach handles (S) to doors (19,20) using screws (T). Tighten screws (T) with a screwdriver.

Step 24



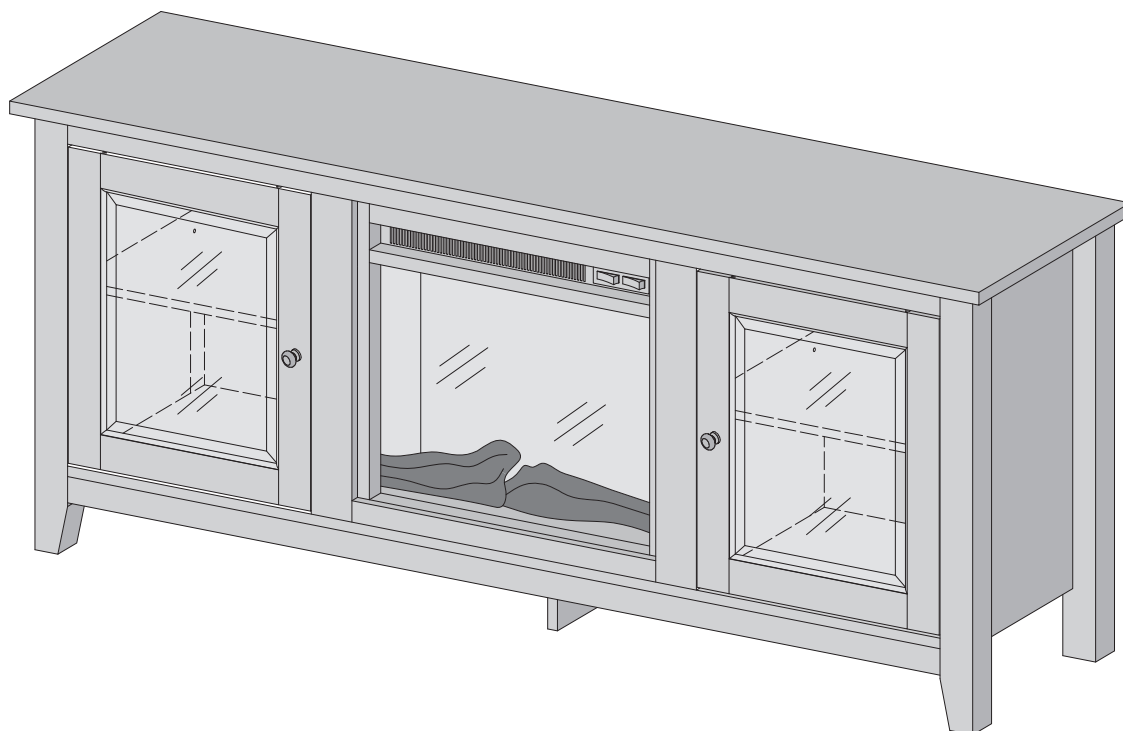
Insert plastic pivots (R) into bottom panel (2) and slat (9).

Step 25



Insert door hinge (P) into bottom left bottom plastic pivot (R). Slide door (19) into place, inserting flange of door hinge (Q) into top left plastic pivot (R). Secure door hinge (P) to door (19) using screws (M). Insert door hinge (Q) into bottom right plastic pivot (R). Slide door (20) into place, inserting flange of door hinge (P) into top right plastic pivot (R). Secure door hinge (Q) to door (20) using screws (M).

Step 26



Final Assembly