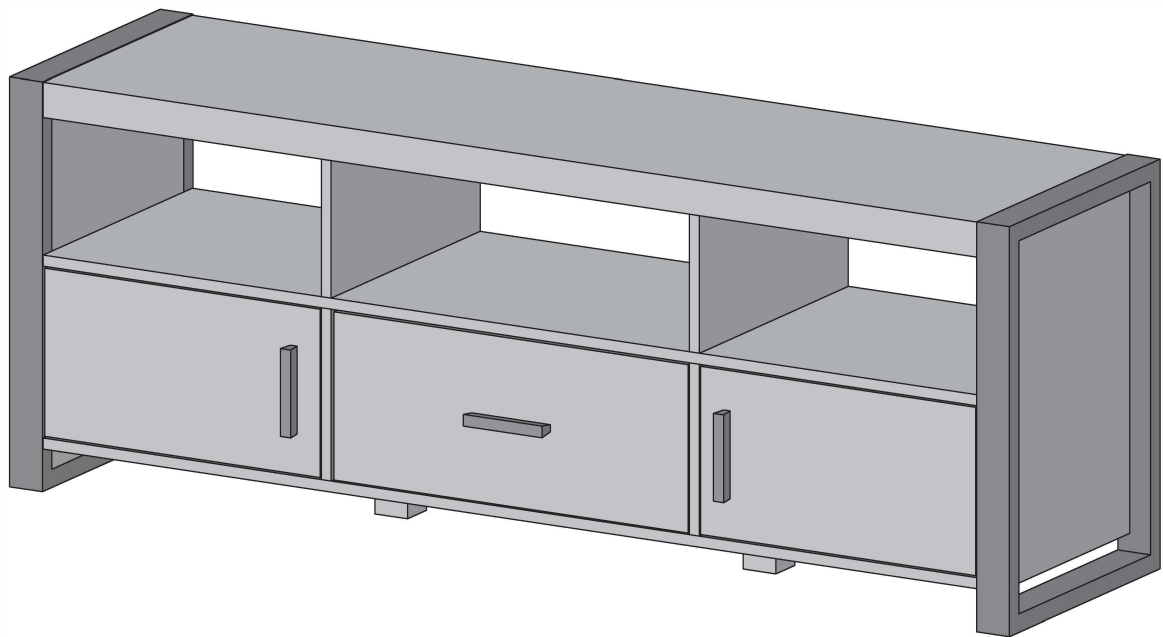


Item # :W60CGS1  
Assembly Instructions

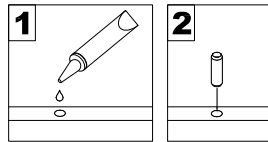


*Please visit our website for the most current instructions, assembly tips, report damage, or request parts. [www.walkeredison.com](http://www.walkeredison.com)*

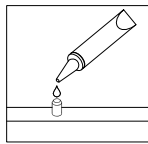
Revised 03/2017

# General Assembly Guidelines

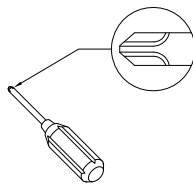
- I. Ensure that all parts and hardware are available before beginning assembly.
- II. Follow each step carefully to ensure the proper assembly of this product.
- III. Two people are recommended for ease in the assembly of this product.
- IV. The three main types of hardware used to assemble this product are : wood dowels , screws and bolts.
- V. The provided glue is to secure wood dowels in place . When first inserting dowels , locate the appropriate hole for the dowel , place a small amount of glue in the hole and insert the dowel . Wipe away excess glue immediately.



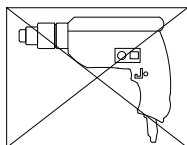
In future assembly steps when dowels are necessary to attach assembly parts together , place a small amount of glue on the end of the dowel before attaching parts together . Wipe away excess glue immediately.



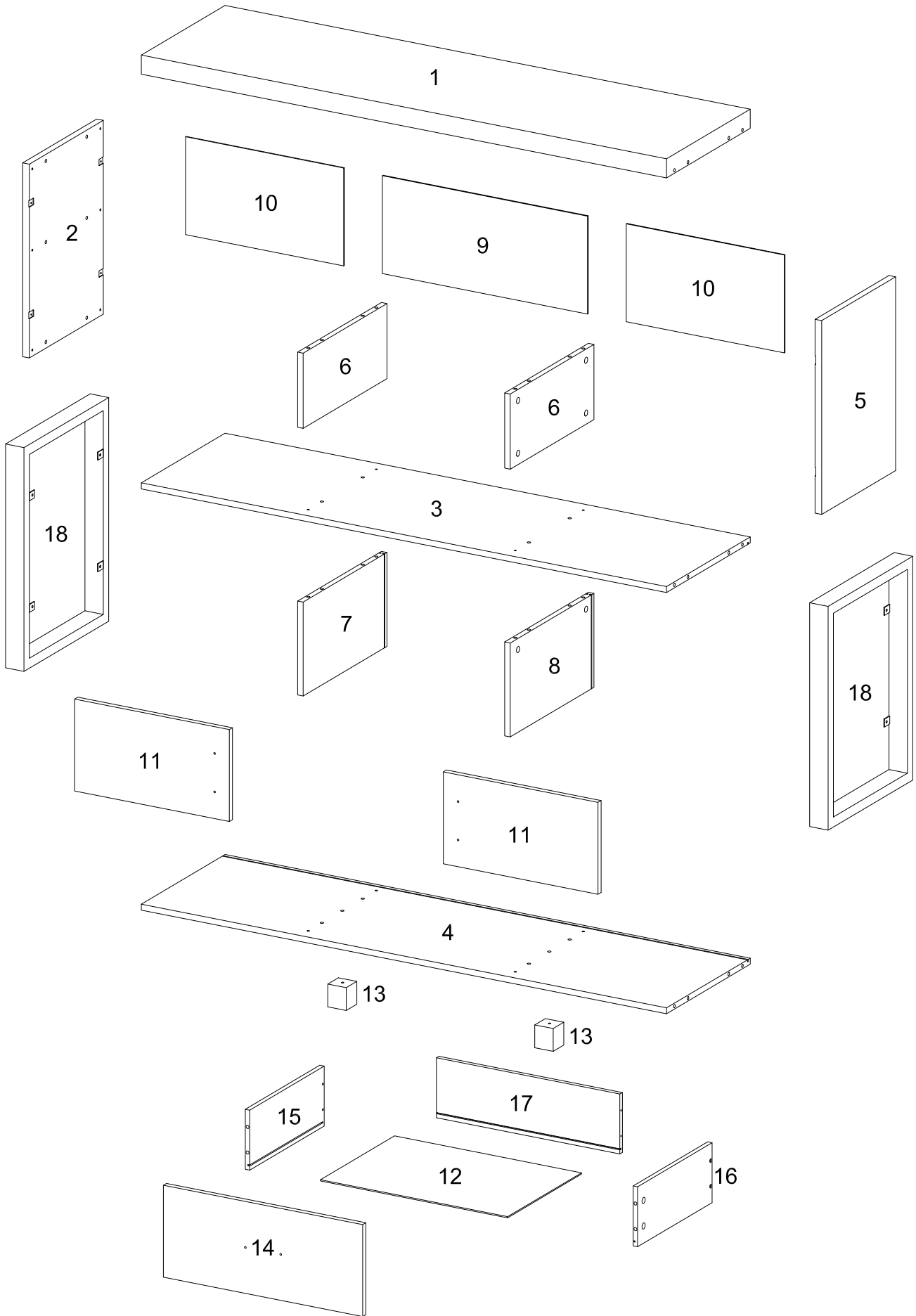
- VI. A Phillips head screwdriver is required for the assembly of this product .









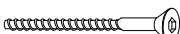


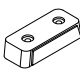
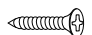

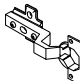




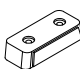
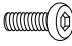
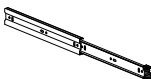
- VII. Power tools should not be used to assemble this product .



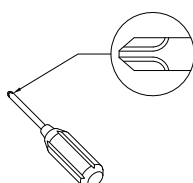
# Parts List



# Hardware List

A		Ø8*30mm	Wooden dowel	20 pcs
B		Ø8*50mm	Wooden dowel	4 pcs
C		Ø6*35mm	Cam bolt	20 pcs
D		Ø6*66mm	Cam bolt	4 pcs
E		Ø15*11mm	Cam lock	24 pcs
F		Ø15*9mm	Cam lock	4 pcs
G		Ø6*50mm	Screw	6 pcs
H		120*25*20mm	Handle	3 pcs
J		Ø5/32"*22mm	Bolts	6 pcs
K		26*9.5*13mm	Left door stopper	1 pc
L		Ø3*12mm	Screw	16 pcs
M		Ø4*31mm	Screw	4 pcs
N			Hinge	4 pcs
P		Ø3.5*15mm	Screw	16 pcs
Q		M4mm	Wrench	1 pc
R			Glue tube	2 pcs
S		Ø30mm	Sticker	28 pcs
T		26*9.5*13mm	Right door stopper	1 pc
U		Ø6x12mm	Bolt	8 pcs
V			Keyboard tray slider	2 sets

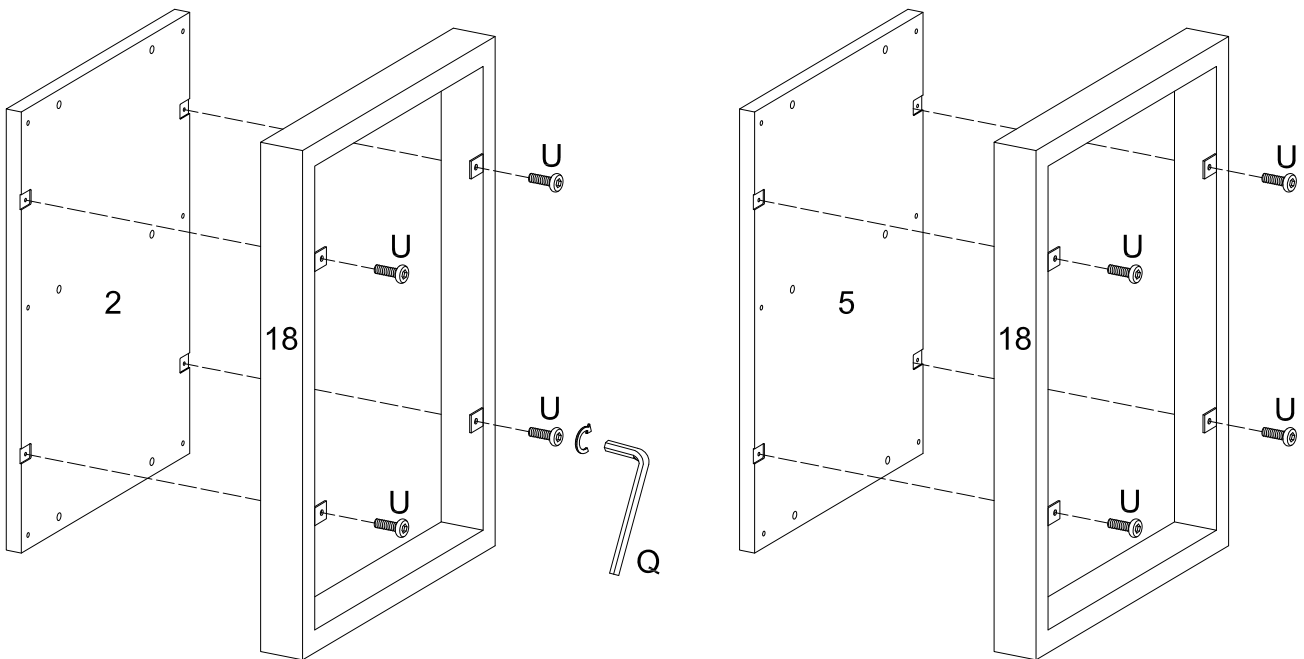
\* Note: This piece comes preassembled for shipping purposes and must be disassembled to complete the TV Stand assembly.



Philips head screwdriver required for assembly  
(not included)

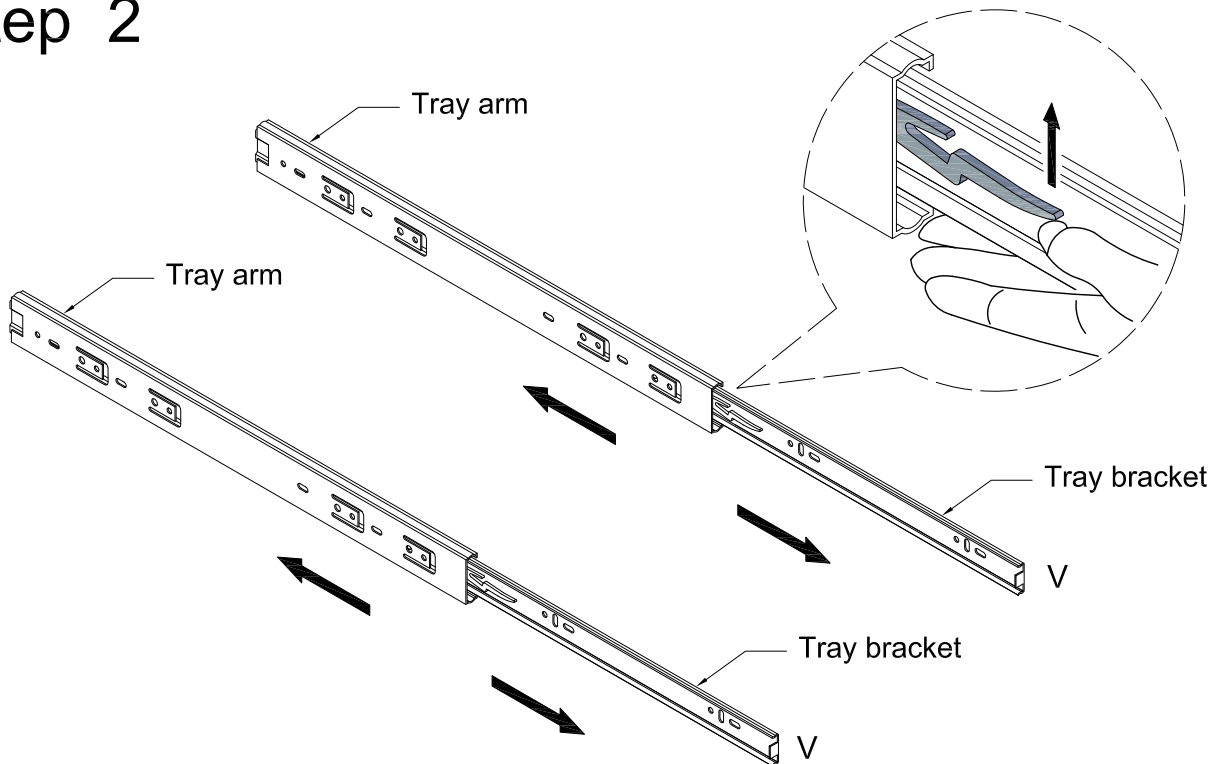
*The hardware quantities listed above are required for proper assembly.  
Some extra hardware may also have been included.*

# Step 1



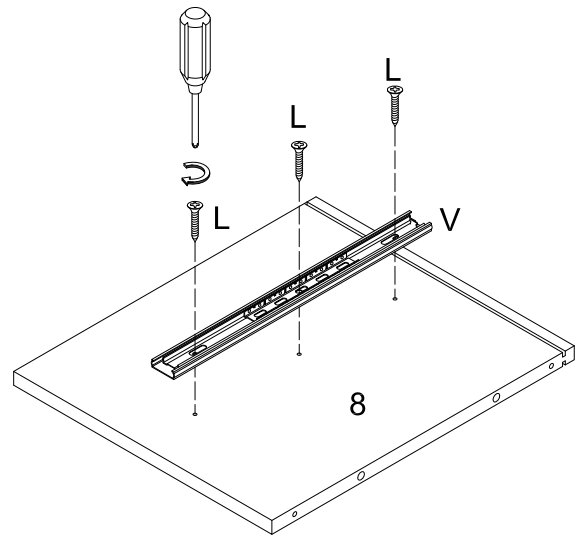
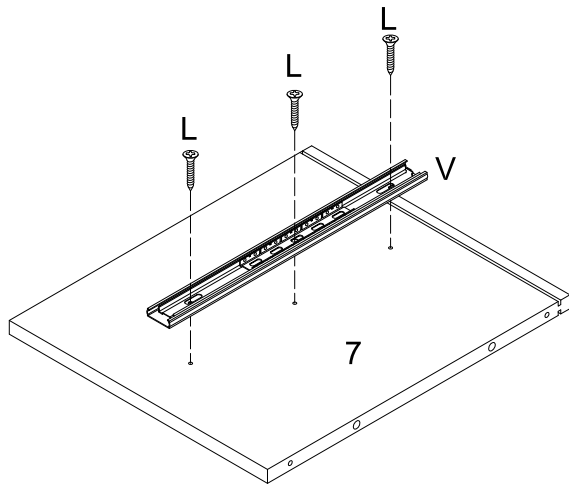
Use wrench (Q), bolt (U) to secure the side frame (18) to the side panel (2,5).

# Step 2



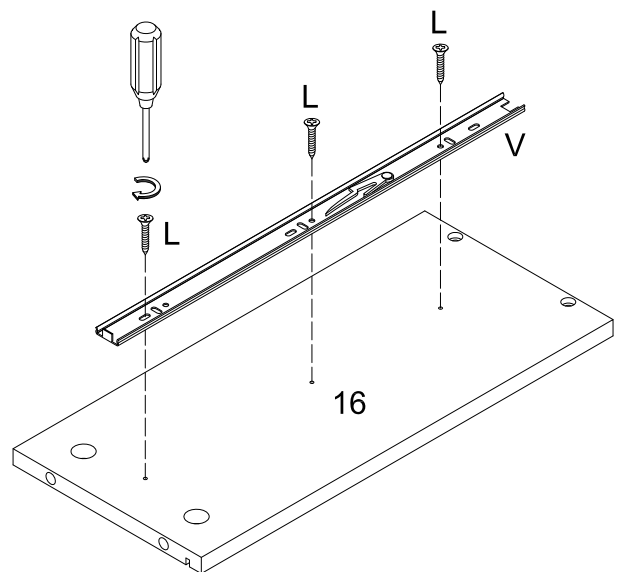
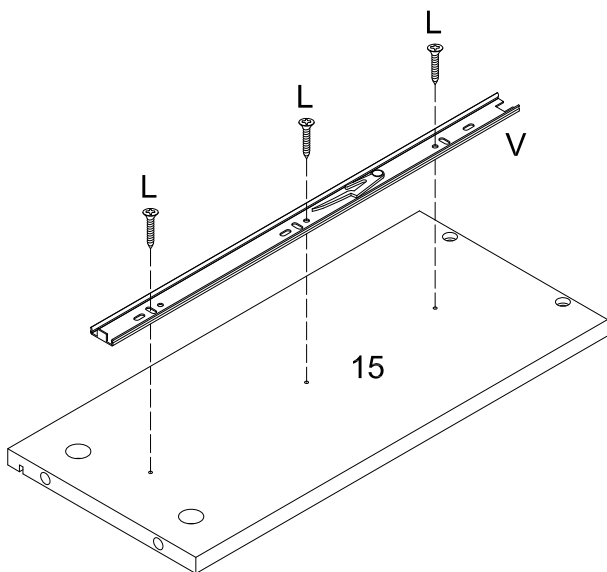
Disassemble keyboard tray slider (V) by sliding the tray arm and tray bracket apart. Depress the small lever of the tray bracket and carefully pull the two pieces apart. Repeat this process for both keyboard tray sliders (V).

## Step 3



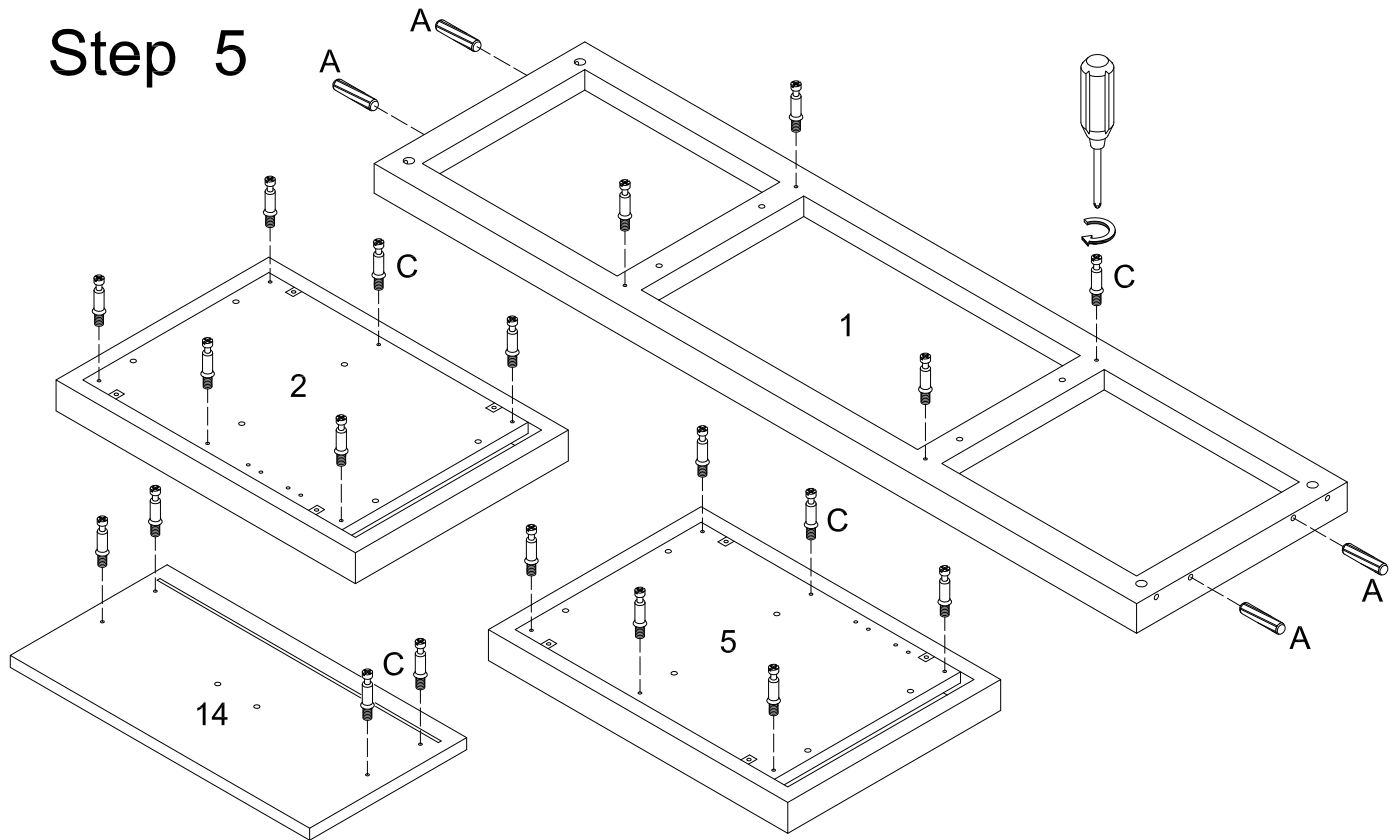
Secure screw (L) to the tray arm of keyboard tray slider (V) to the middle side panel (7,8).

## Step 4



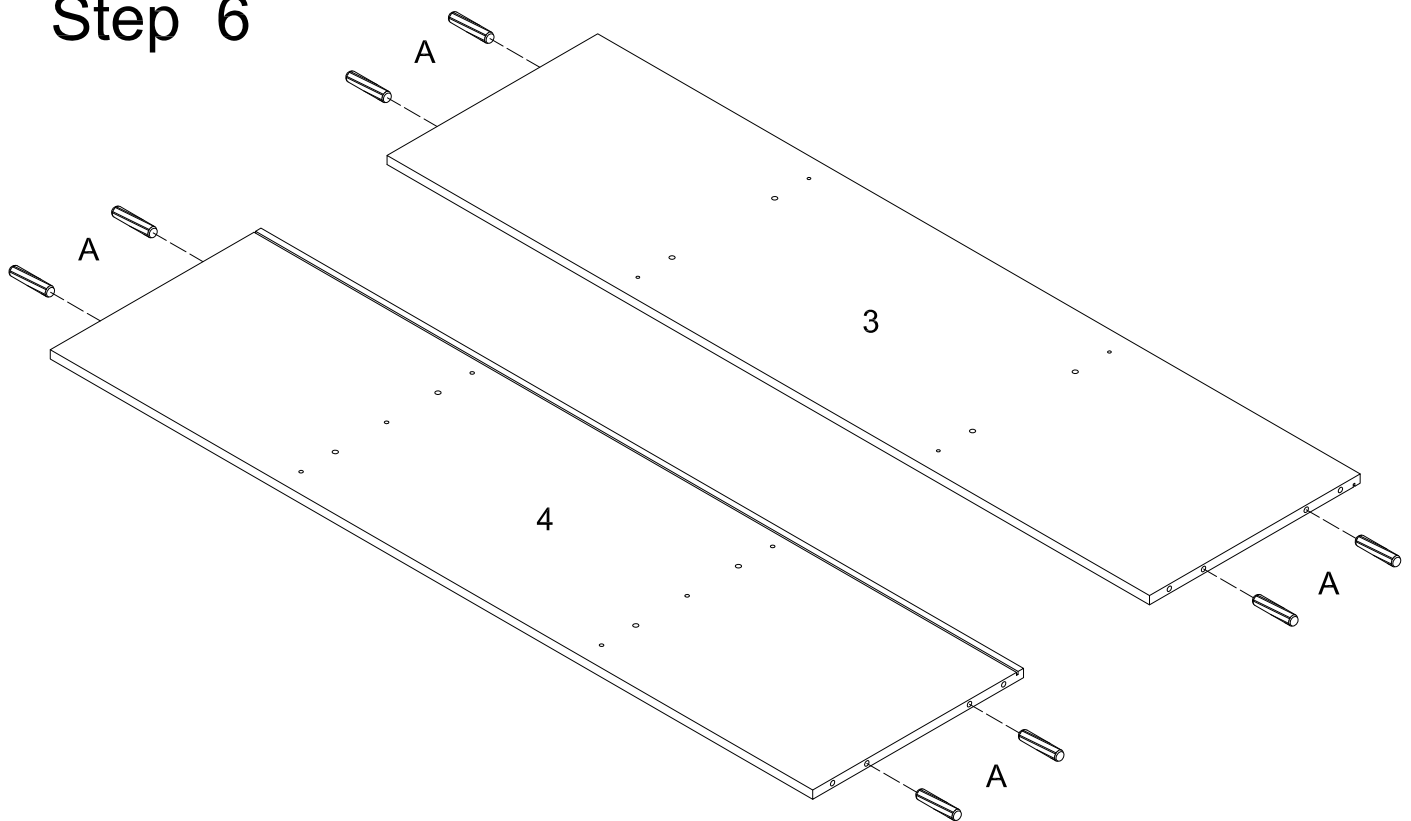
Secure screw (L) to the tray bracket of keyboard tray slider (V) to the drawer side panel (15,16).

## Step 5



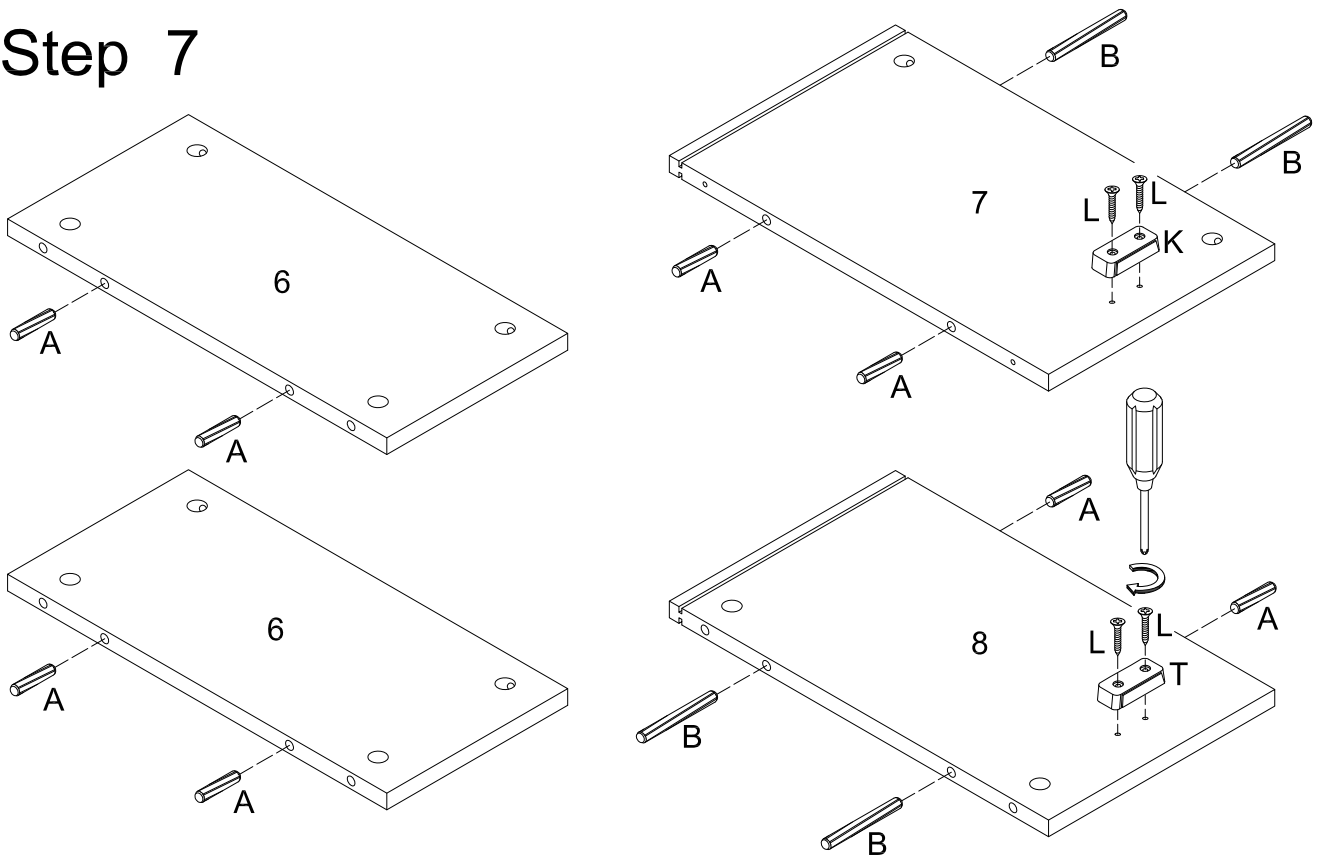
Secure cam bolts (C) into top panel (1), side panels (2,5) and drawer panel (14). Insert wooden dowels (A) into top panel (1).

## Step 6



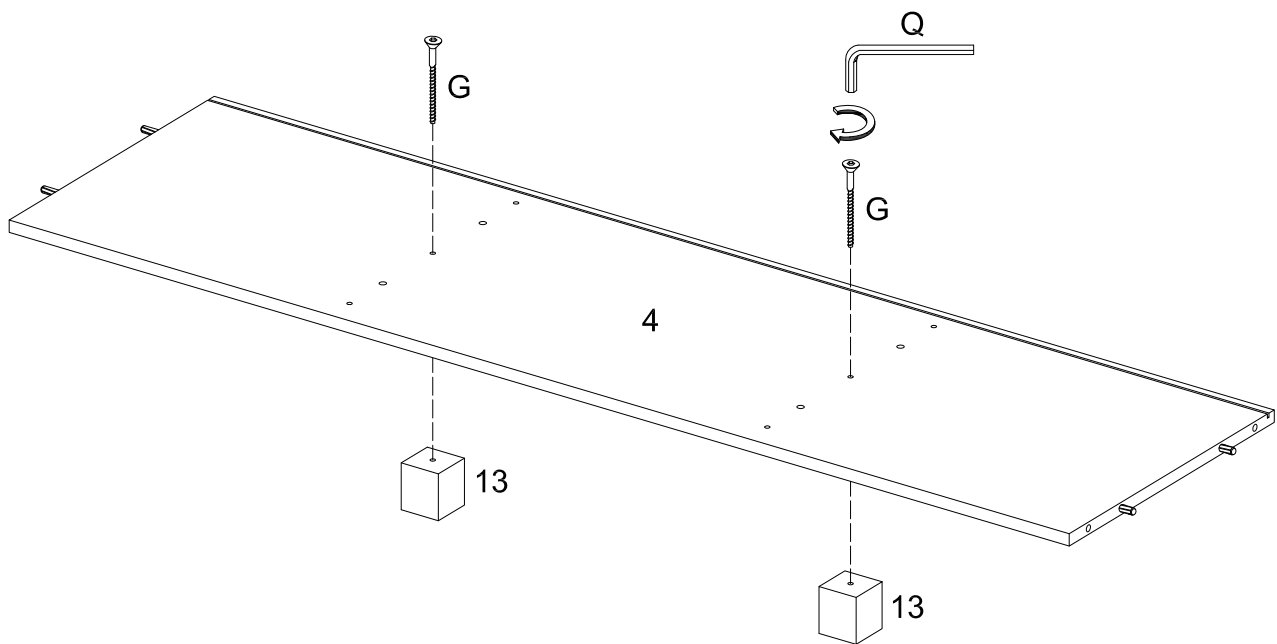
Insert wooden dowels (A) into panels (3,4).

## Step 7



Insert wooden dowels (A, B) into panels (6, 7, 8) as shown in the diagram. Secure left door stopper (K) to panel (7) using screws (L). Secure right door stopper (T) to panel (8) using screws (L).

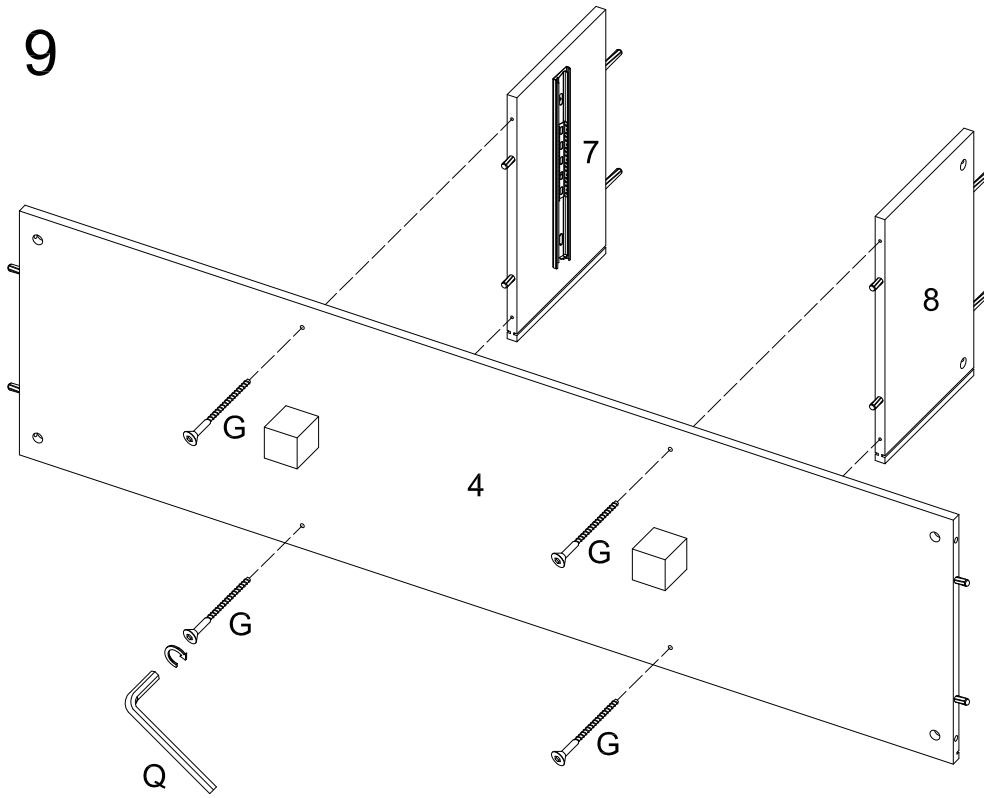
## Step 8



Secure legs (13) to bottom panel (4) using screws (G).

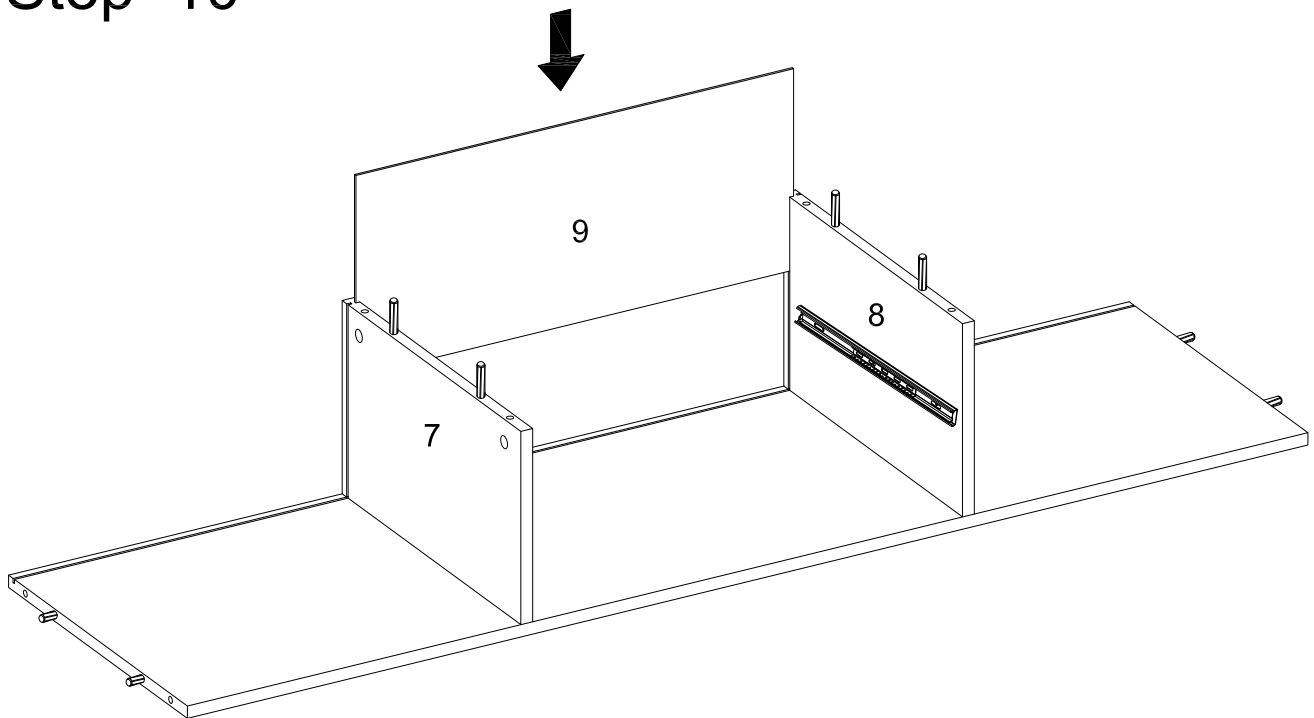


## Step 9



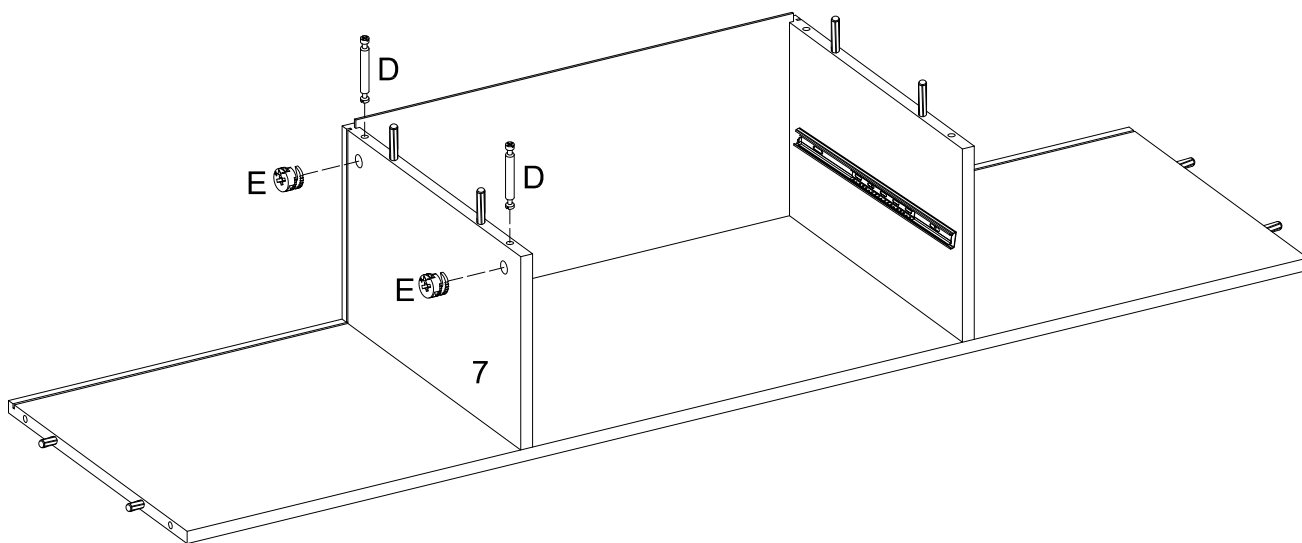
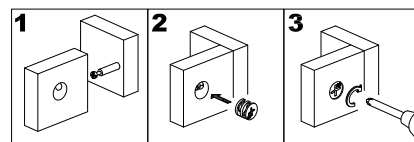
Attach side panels (7, 8) to bottom panel (4) using screws (G).

## Step 10



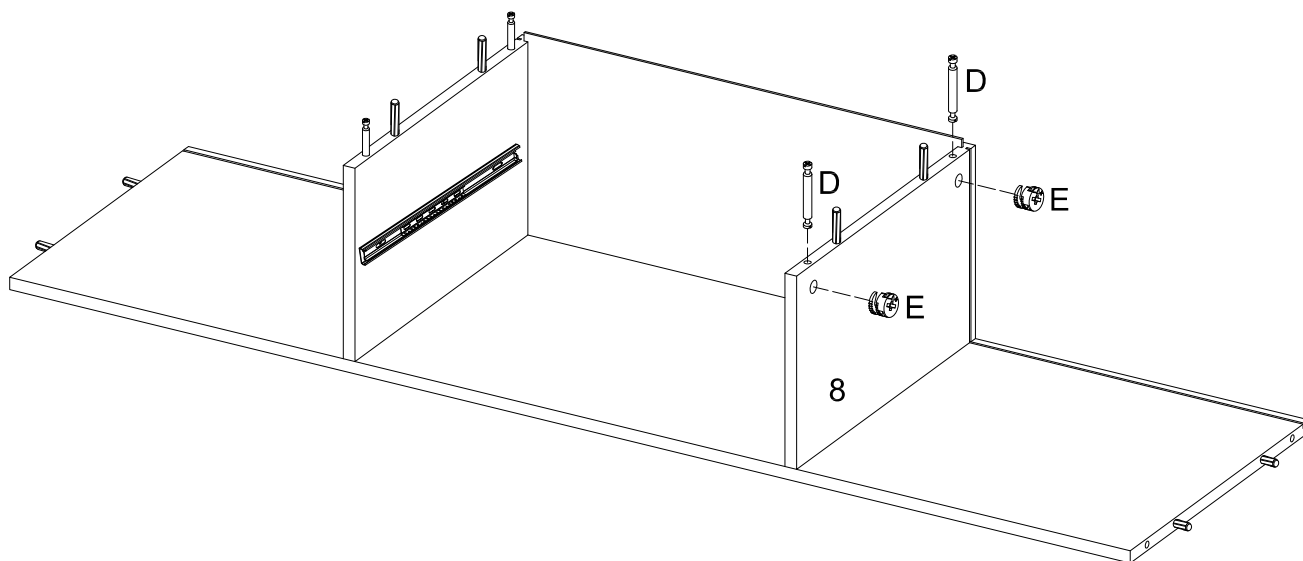
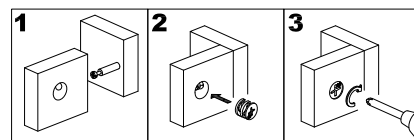
Slide back panel (9) into the slots in side panels (7, 8).

# Step 11



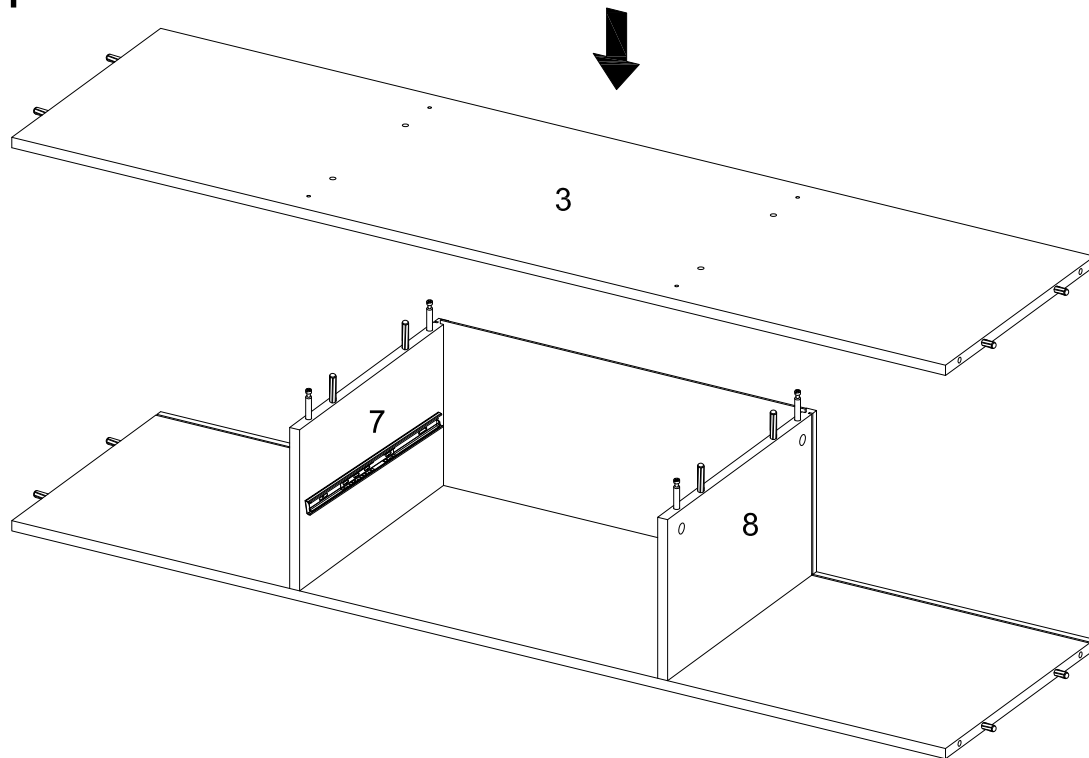
Insert cam bolts (D) into panel (7) and secure one side using cam locks (E) as shown in the diagram.

# Step 12



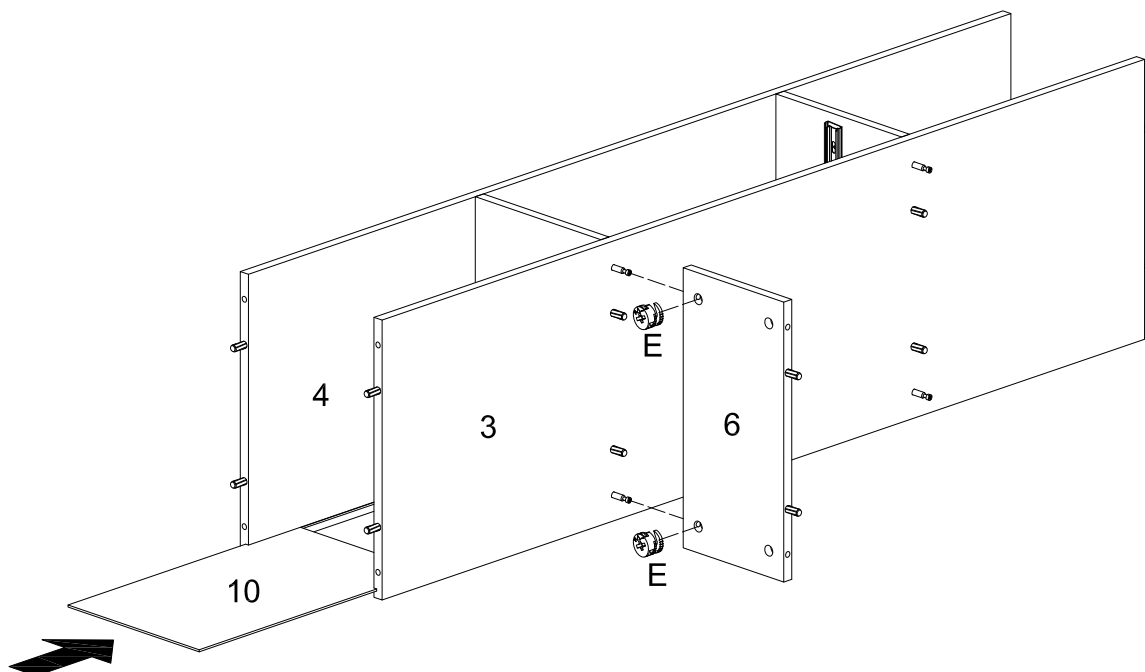
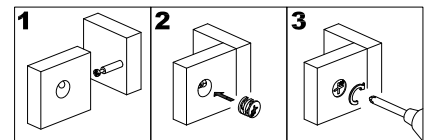
Insert cam bolts (D) into panel (8) and secure one side using cam locks (E) as shown in the diagram.

## Step 13



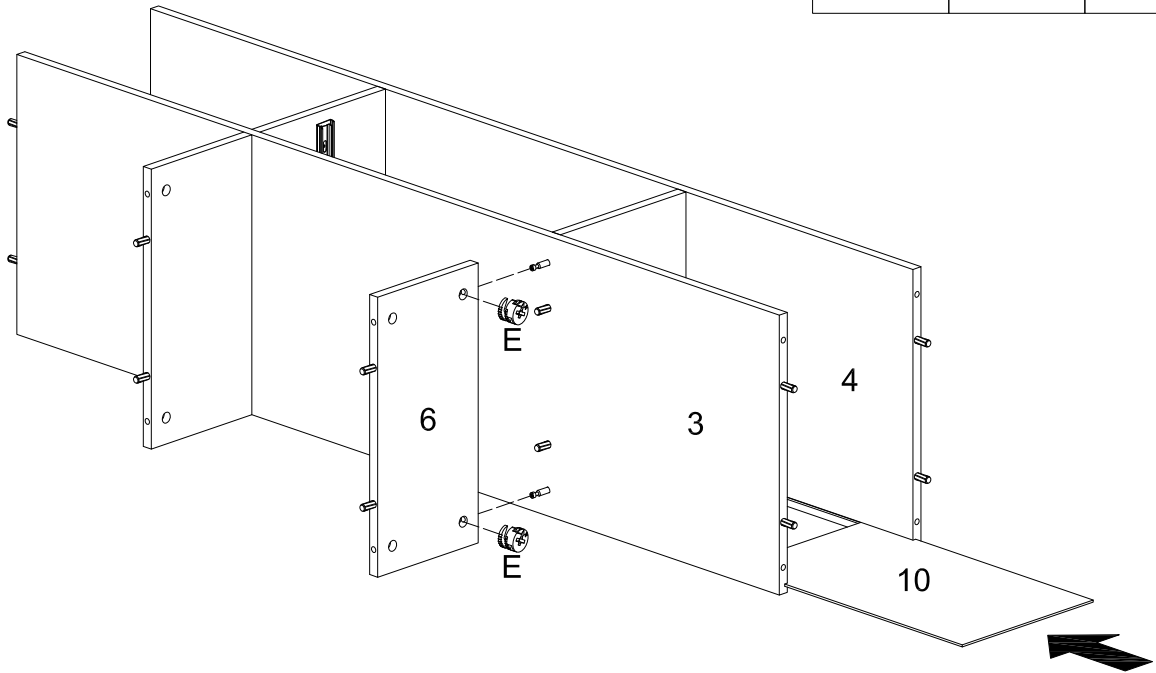
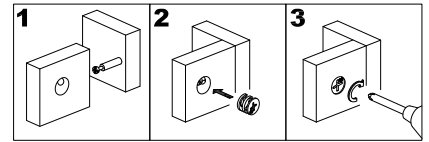
Place panel (3) carefully onto panels (7, 8) as shown in the diagram.

## Step 14



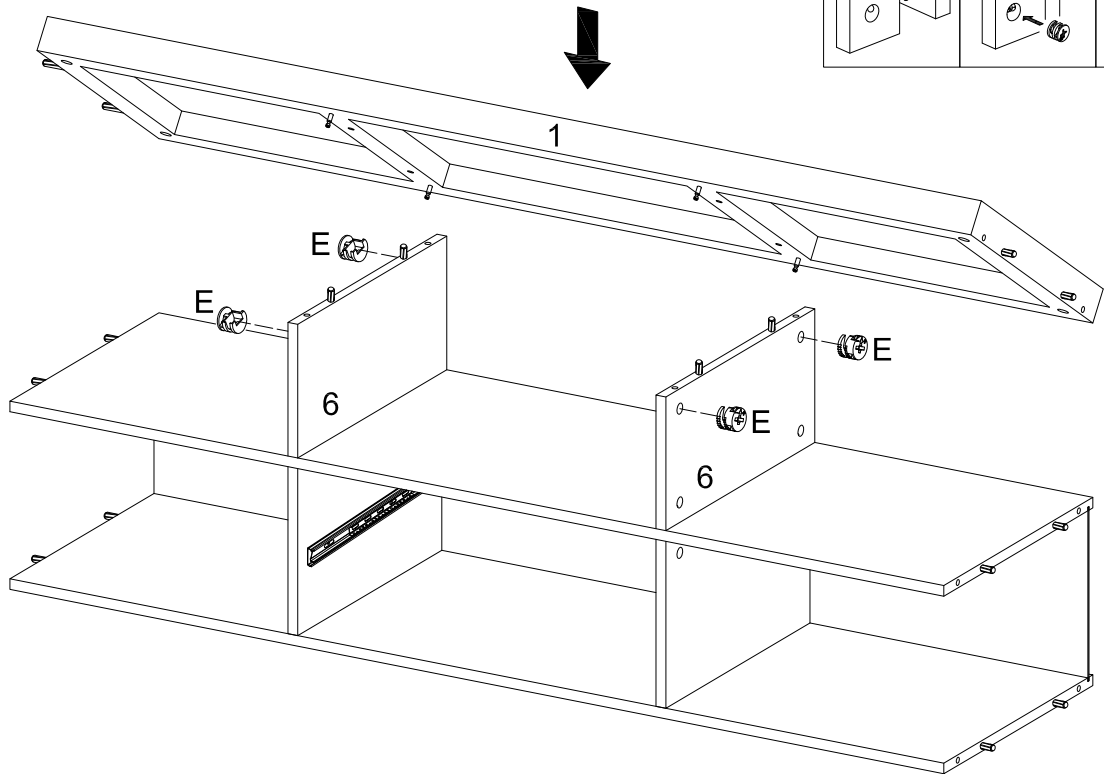
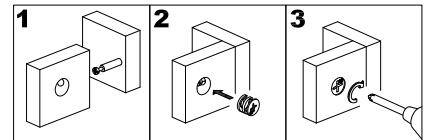
Slide back panel (10) into the slots in panels (3, 4). Attach panel (6) and secure using cam locks (E).

# Step 15



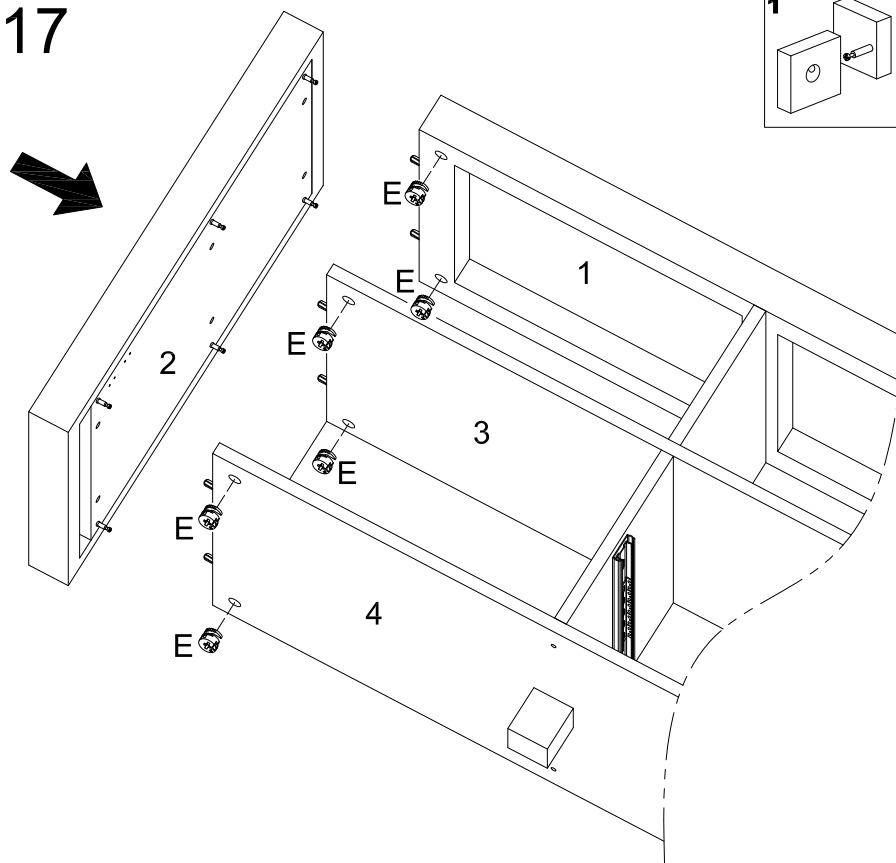
Repeat Step 10 on the opposite side of the unit.

# Step 16



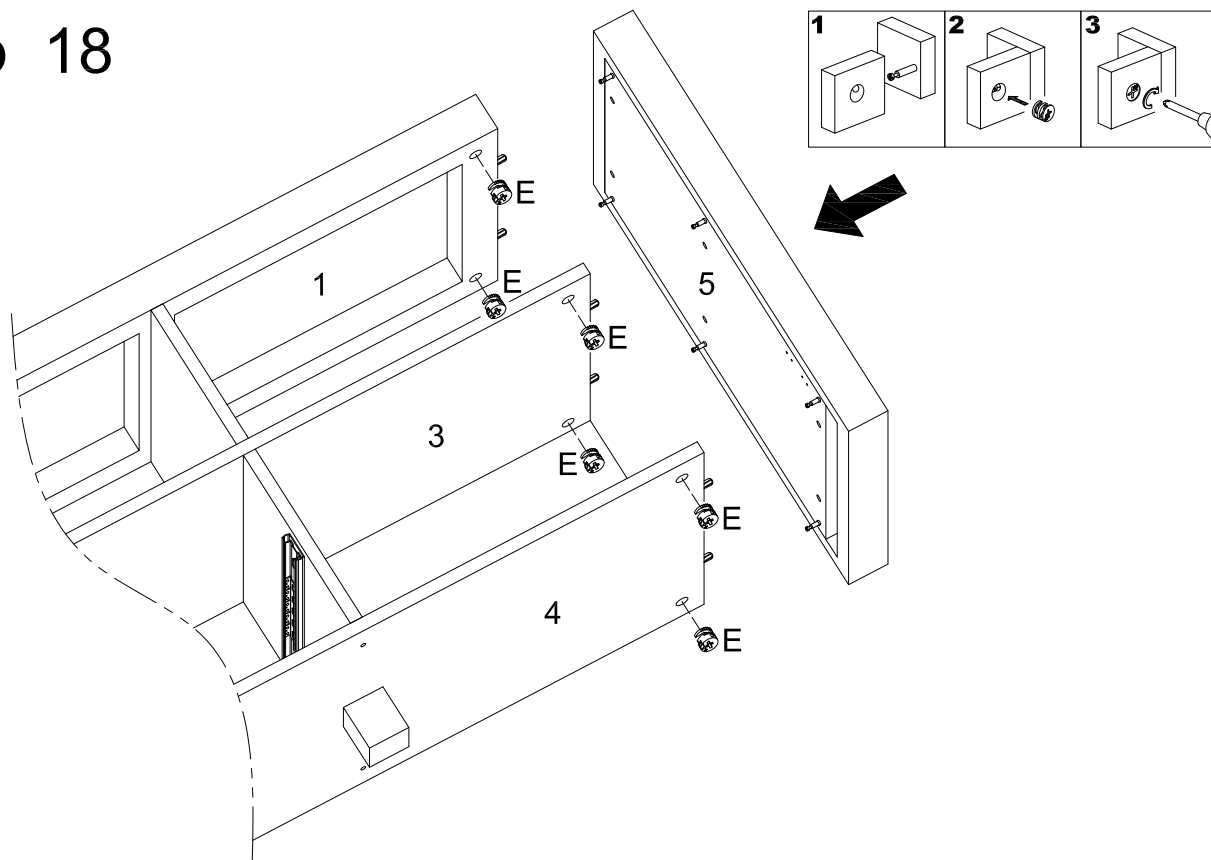
Place top panel (1) carefully onto panels (6) as shown in the diagram. Secure using cam locks (E).

# Step 17



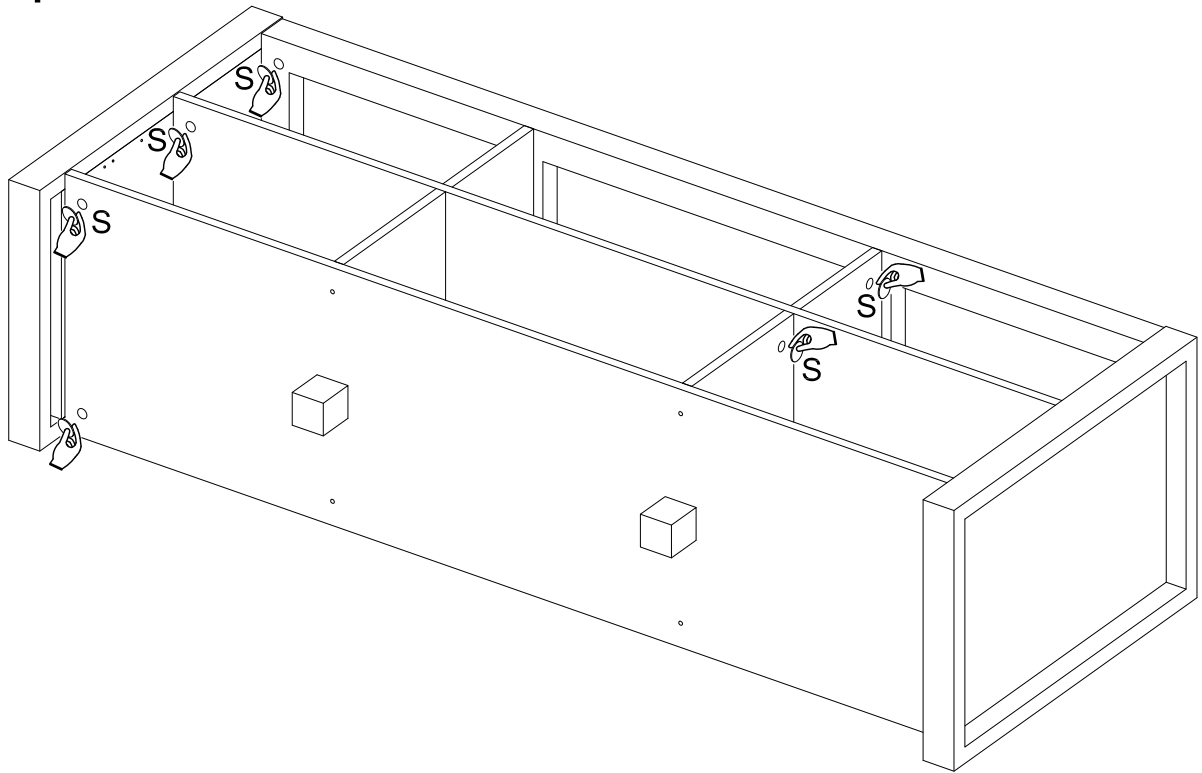
Attach the side frame (2) to the center assembly using cam locks (E) as shown in the diagram.

# Step 18



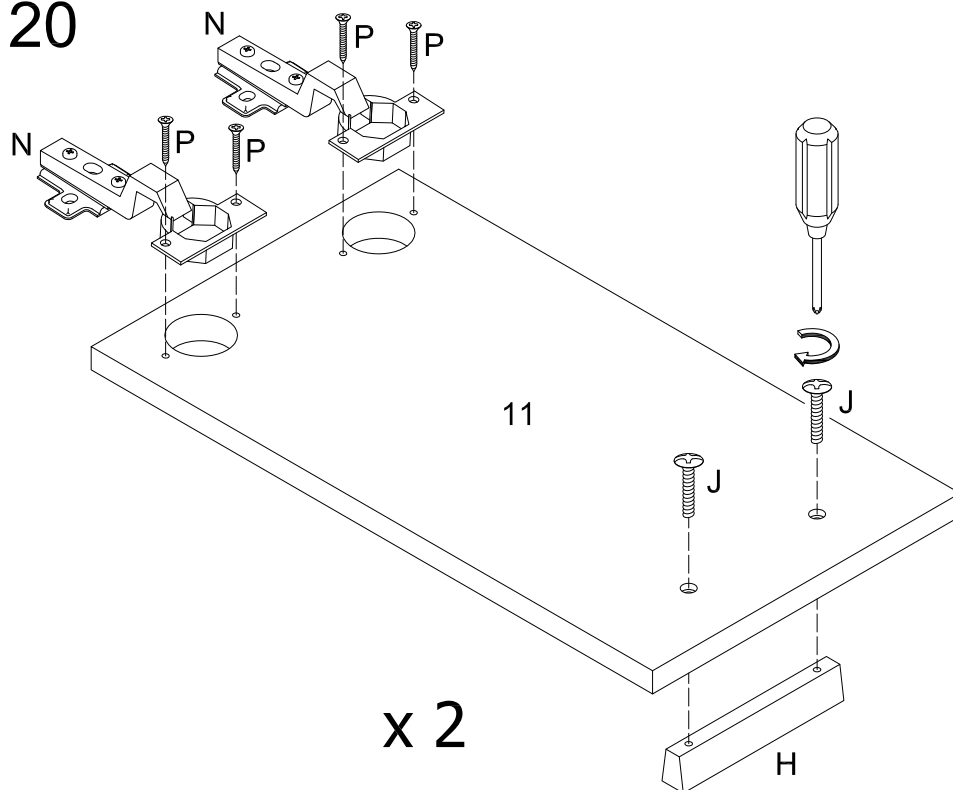
Attach the side frame (5) to the center assembly using cam locks (E) as shown in the diagram.

## Step 19



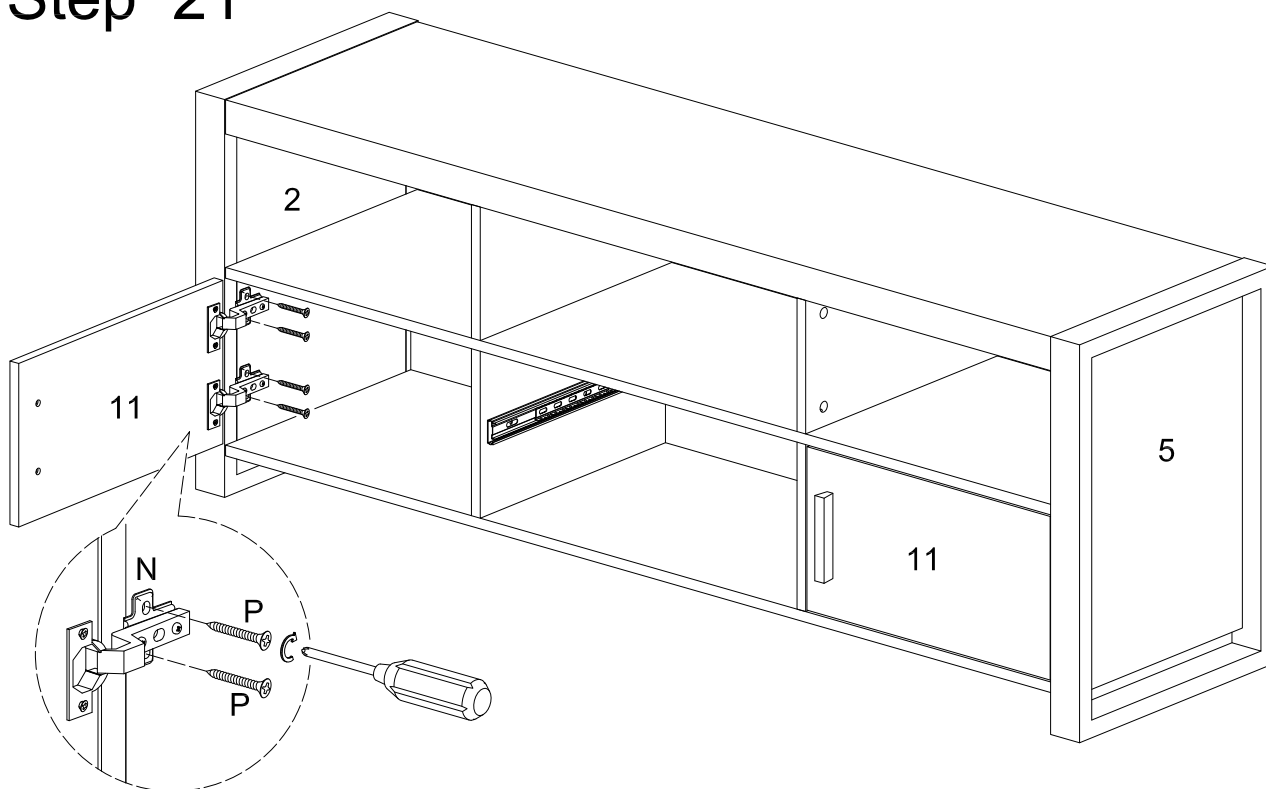
Cover all cam locks using stickers (S).

## Step 20



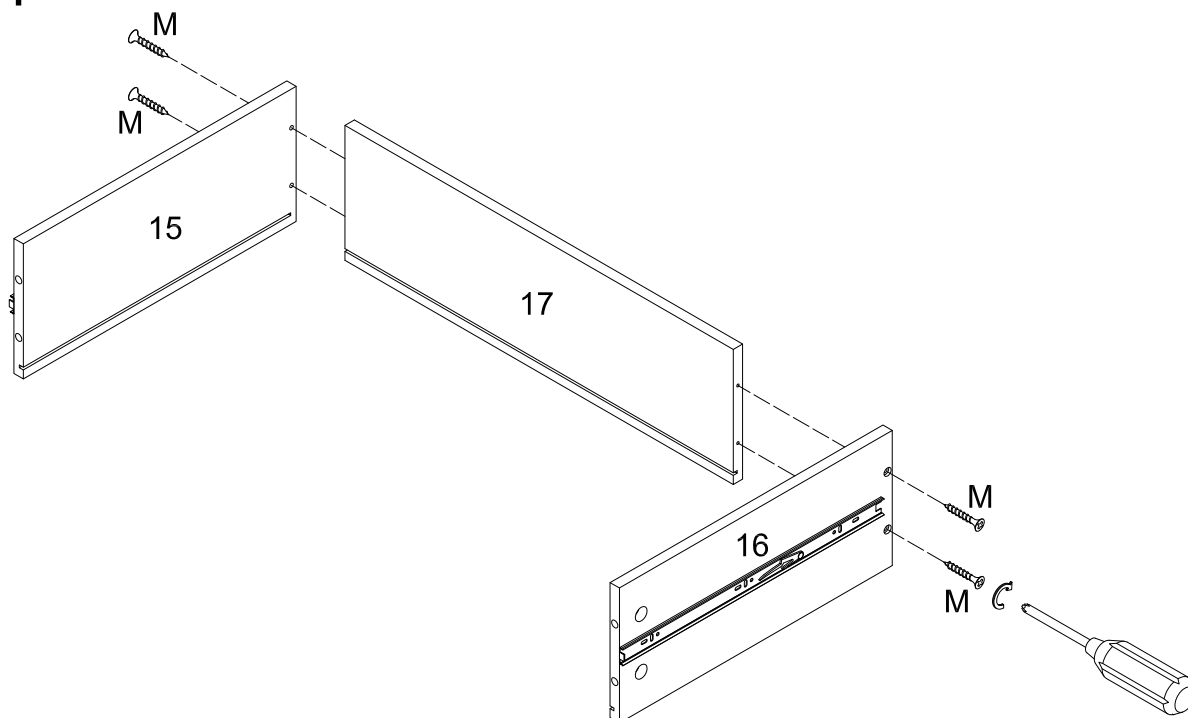
Attach hinges (N) to doors (11) using screws (P). Attach handles (H) using bolts (J).

## Step 21



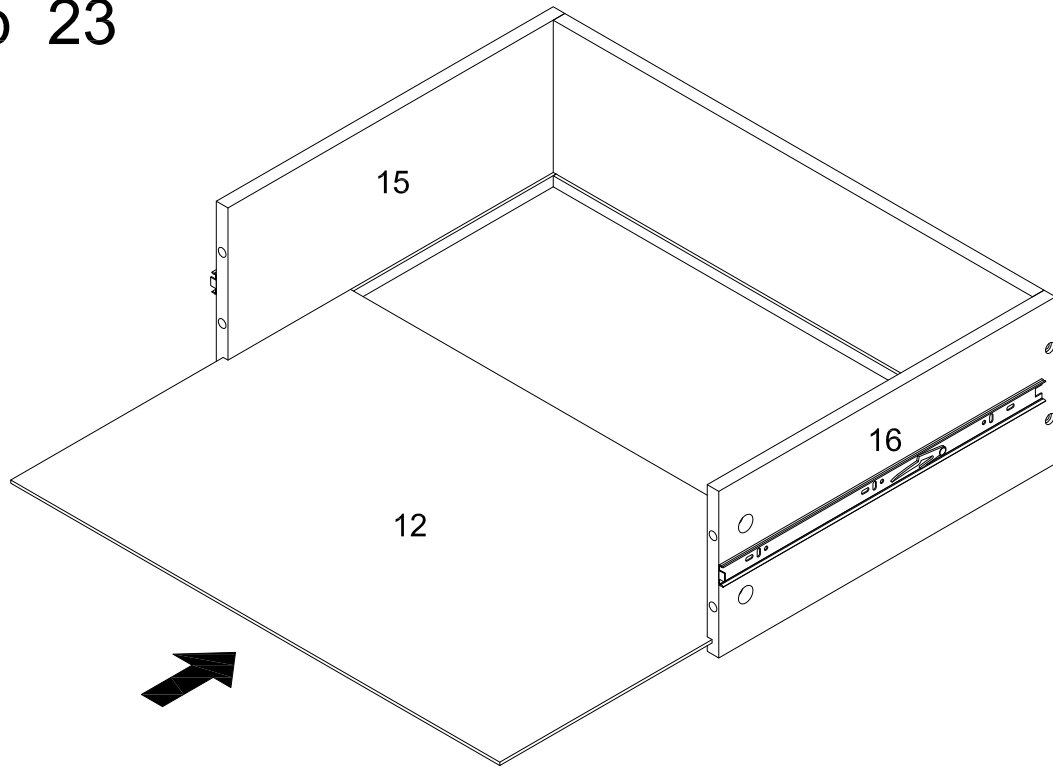
Attach doors (11) to assembled unit using screws (P).

## Step 22



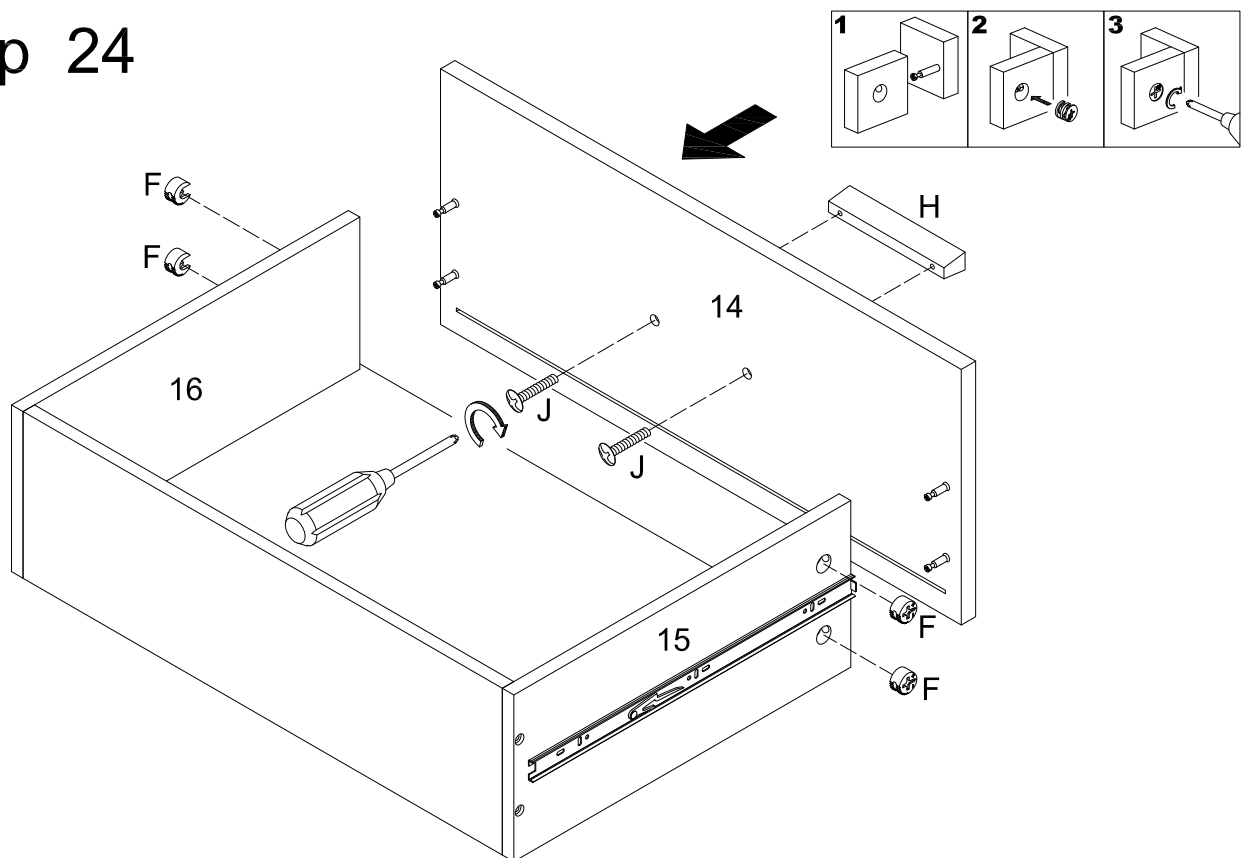
Attach panels (15, 16) to panel (17) using screws (M).

## Step 23



Carefully slide drawer bottom (12) into thin grooves on drawer assembly.

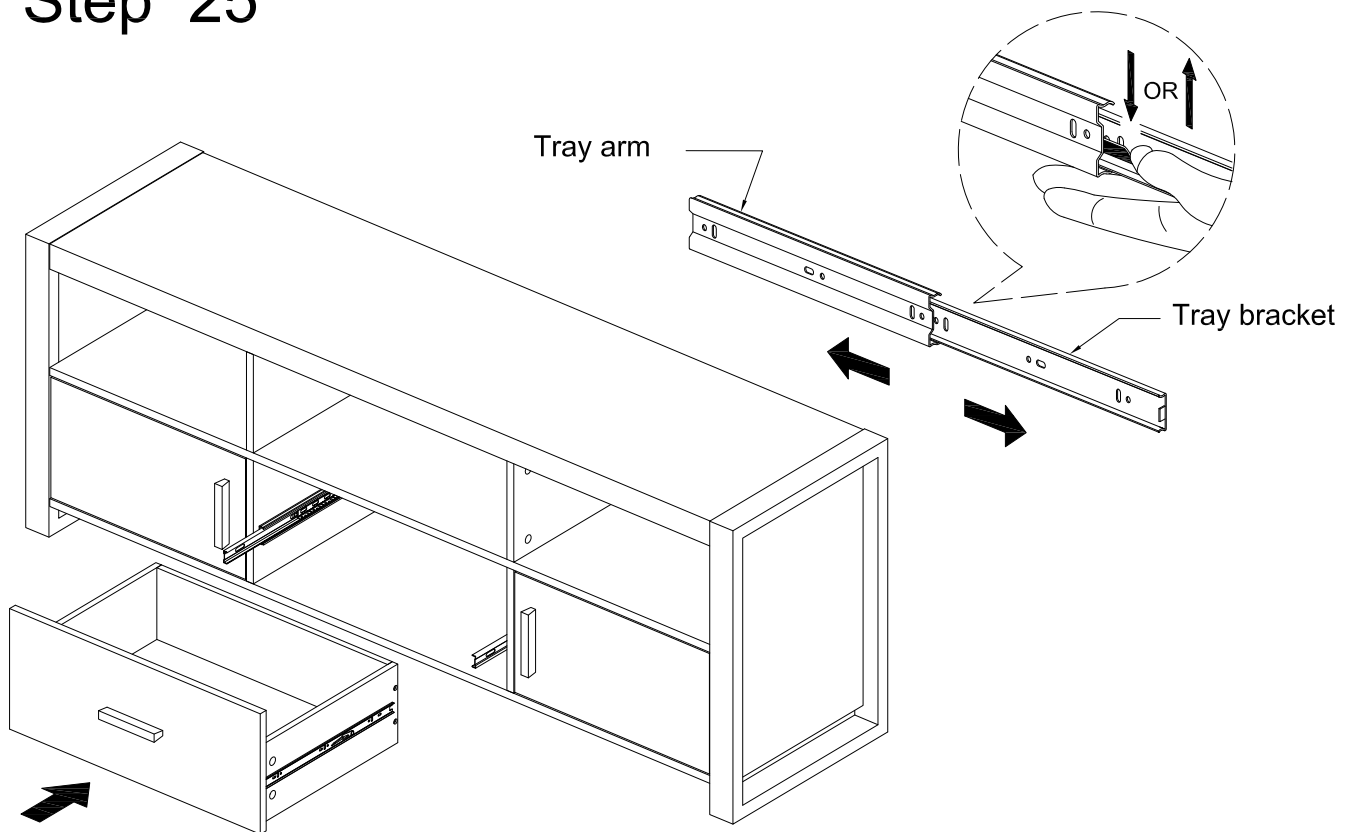
## Step 24



Attach drawer front (14) to drawer assembly and secure using cam locks (F).  
Attach handle (H) using bolts (J).

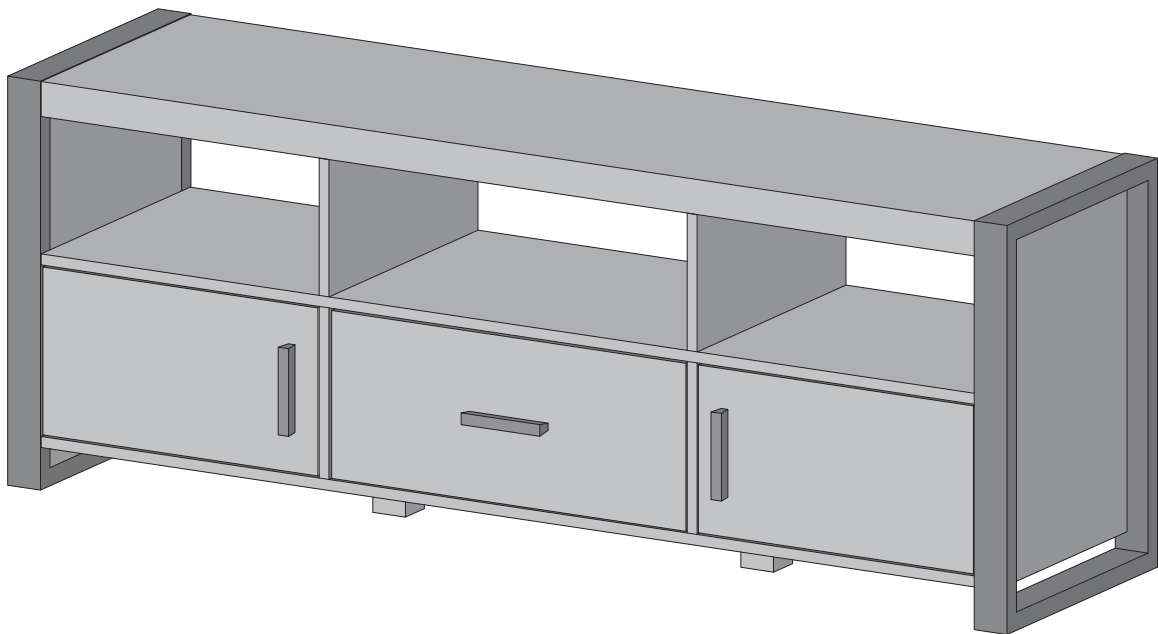


## Step 25



Carefully insert drawer assembly into assembled unit as shown in the diagram.

## Step 26



## Final Assembly