



Adjustable Shelf & Center Leg Support Instructions

64" Console w/ 2 Doors

SKU# 24019413
24079419

Manufactured by ASPF for Rooms To Go

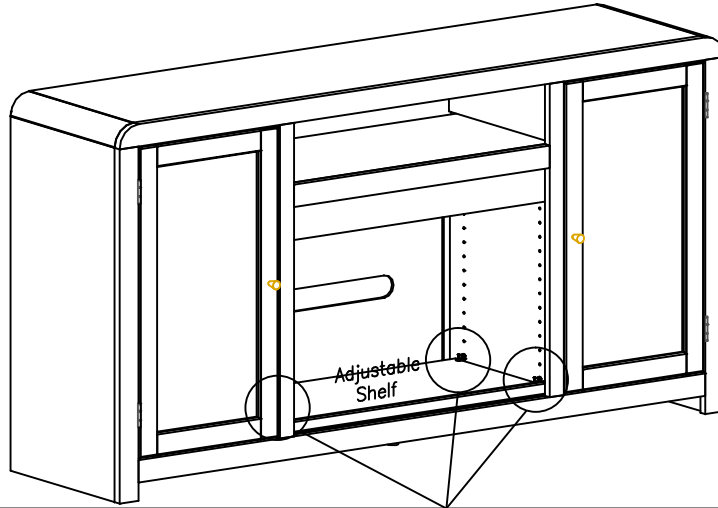
***Caution: Please read all instructions carefully before starting the assembly process. These parts are cumbersome and heavy. Therefore, two people are recommended in order to prevent personal injury and ensure the parts are not damaged during the assembly.

USE AND CARE INSTRUCTIONS

TOOLS REQUIRED (NOT PROVIDED)
PHILLIPS SCREWDRIVER

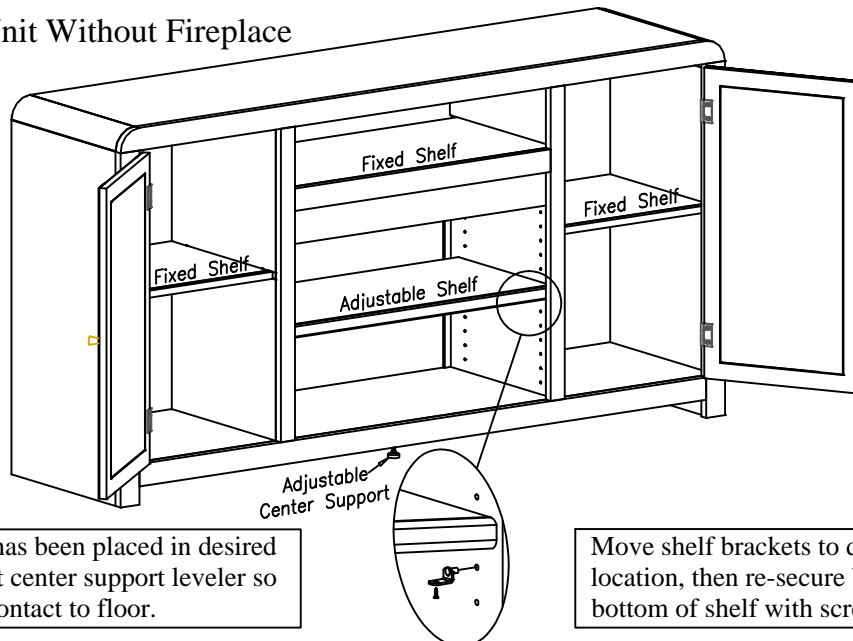
Use a non-abrasive, soft cloth and a high-quality furniture cleaner. Always dust in the direction of the grain with a lightly damp cloth. Moisture should not remain on furniture after dusting. Furniture should be kept in a climate controlled environment. Avoid exposure to heat, chemicals, water and strong sun light to avoid fading and drying out. To prevent scratching, use felt discs under lamps and accessories that are placed on furniture.

Step One:



(1) adjustable Shelf comes secured to the bottom by (4) shelf brackets. To remove shelf, unscrew the brackets from the shelf, using a phillips screwdriver. Pull out shelf brackets and reuse for securing shelf in desired location. Shelf comes mounted "Bad Side Up". Flip shelf to "Good Side Up" before placing in desired location.

Option A: Unit Without Fireplace



Once console has been placed in desired location, adjust center support leveler so that it makes contact to floor.

Move shelf brackets to desired location, then re-secure bracket to bottom of shelf with screw.

Hardware Pack Location (s): All Hardware Comes Pre-Mounted

Console SKU# 24019413 / 24079419



Fireplace Insert Instructions

64" Console w/ 26" Fireplace Insert & 2 Doors

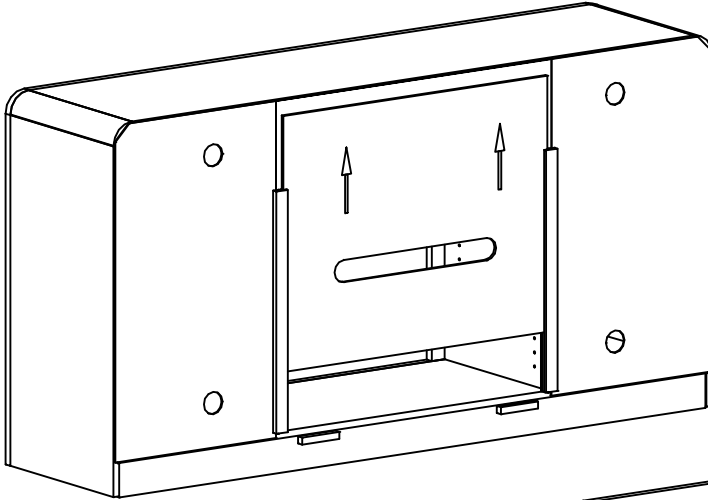
SKU# 24019413
24079419

Manufactured by ASPF for Rooms To Go

***Caution: Please read all instructions carefully before starting the assembly process. These parts are cumbersome and heavy. Therefore, two people are recommended in order to prevent personal injury and ensure the parts are not damaged during the assembly.

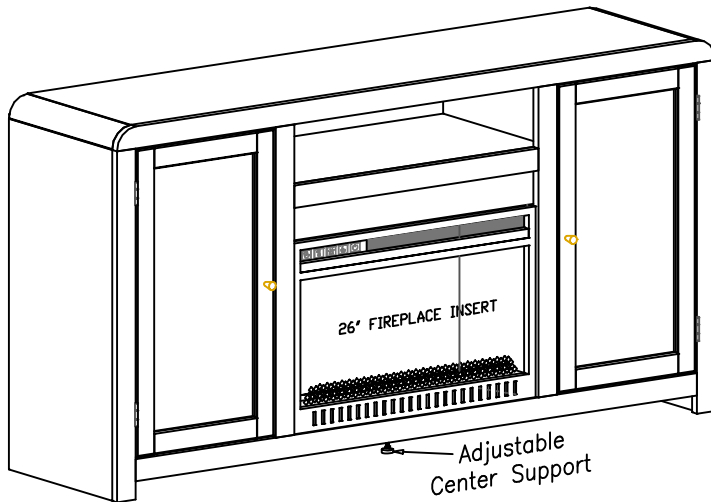
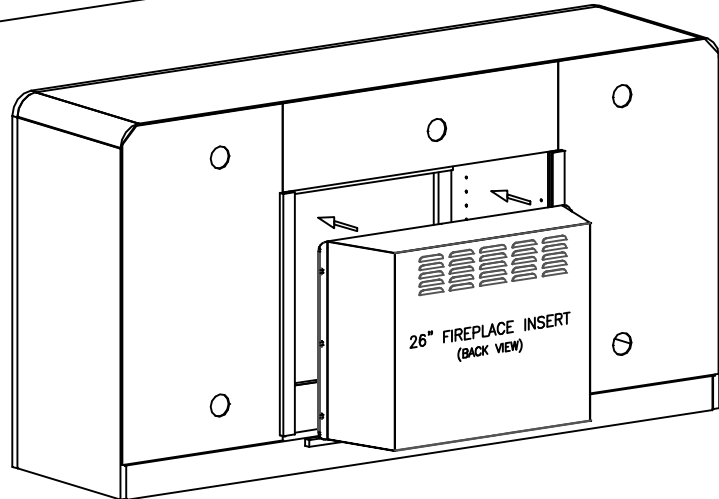
Option B: Unit With Fireplace

TOOLS REQUIRED (NOT PROVIDED)
PHILLIPS SCREWDRIVER



To install fireplace insert, slide up, to remove backing and make sure adjustable shelf has been removed (see shelf removal instructions on page 1).

Remove 26" fireplace insert from box and slide through back opening, until it is completely to front of console. Once fireplace is installed, plug power cord into wall outlet.



Once console has been placed in desired location, adjust center support leveler so that it makes contact to floor.

Hardware Pack Location (s): All Hardware Comes Pre-Mounted

Console SKU# 24019413 / 24079419

Version 2 - 04/01/25



Assembly Instructions

64" Console w/ 2 Doors

SKU# 24019413
24079419

Manufactured by ASPF for Rooms To Go

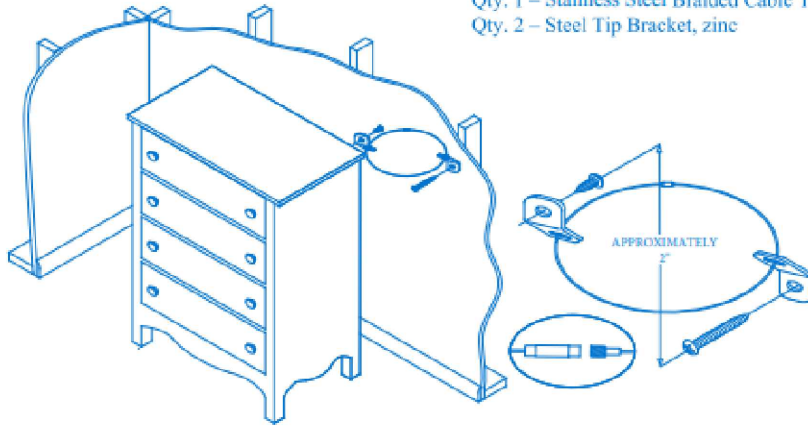
ANTI-TIP HARDWARE

***PLEASE NOTE: To avoid the possibility of the furniture tipping and causing injury, the Anti-Tip hardware must be installed.
Anti-Tip hardware - customer assembly required.

TOOLS REQUIRED (NOT PROVIDED)

-Parts List-

- Qty. 1 - #8 x 5/8" Pan Head Phil, screw, zinc
- Qty. 1 - #8 x 2" Pan Head Phil, screw, zinc
- Qty. 1 - Stainless Steel Braided Cable Tie
- Qty. 2 - Steel Tip Bracket, zinc



Installation Instructions:

This anti-tip device must be attached to a wall stud using the 2" screw enclosed.

1. Attach a bracket securely to the back top rail or back top edge of the furniture using the 5/8" screw provided, through the smaller hole in the bracket.
2. Locate the other bracket on the wall over a stud and 2 inches below the mounting bracket secured to the back of your unit. Attach to the wall stud using the 2" screw provided, through the smaller hole in the bracket.
3. Place the furniture into position so both mounting brackets are vertically in line.
4. Lace the threaded end of the restraint cable through the larger hole in each mounting bracket. Bring both ends together and rotate the thumb nut onto the threaded end until tight.
5. Confirm that the cable is securely laced and locked.

Instrucciones de instalación:

Este dispositivo antivuelco contra volcado debe fijarse a un taco de pared con el tornillo de 2" que se incluye.

1. Coloque un soporte firmemente en la parte superior trasero o en el borde superior trasero del mueble, usando el tornillo de 5/8" que se proporciona y el agujero más pequeño del soporte.
2. Ubique el otro soporte en la pared, sobre un taco y 5 cm (2 pulg.) por debajo del soporte de montaje asegurado en la parte trasera de la unidad. Fije al taco de pared usando el tornillo de 2" que se incluye y el agujero más pequeño del soporte.
3. Coloque el mueble en su sitio, de modo que los dos soportes estén en una línea vertical.
4. Encaje el extremo roscado del cable de restricción a través del agujero más grande en cada soporte de montaje. Una ambos extremos y gire la tuerca en el extremo roscado hasta que queda apretada.
5. Confirme que el cable este seguramente atado y asegurado.

Instructions d'installation:

Ce dispositif antibasculement doit être fixé au montant d'un mur à l'aide de la vis de 5 cm (2 po) fournie.

1. Fixer solidement un support à la traverse ou au rebord supérieure à l'arrière du meuble, en passant la vis de 1,6 cm (5/8 po) dans le plus petit trou du support.
2. Placer l'autre support sur un montant du mur, à environ 5 cm (2 po) plus bas, par rapport au premier support de fixation. Fixer ce support en passant la vis de 5 cm (2 po) fournie dans le plus petit trou du support.
3. Positionner le meuble afin d'aligner verticalement les deux supports de fixation.
4. Passer l'extrémité filetée du câble de retenue dans le grand trou de chaque support de montage. Rapprocher les deux extrémités et faites tourner l'écrou à oreilles sur l'extrémité filetée jusqu'à ce qu'il soit bien serré.
5. Vérifier que câble est solidement fixée et bloquée.

Console SKU# 24019413 / 24079419



Assembly Instructions

64" Console w/ 2 Doors

SKU# 24019413
24079419

Manufactured by ASPF for Rooms To Go

Use and Care Instructions



WARNING - Death or serious injury may occur when children climb on audio and/or video equipment furniture. A remote control or toys placed on the furnishing may encourage a child to climb on the furnishing and as a result the furnishing may tip over on to the child.



WARNING - Relocating audio and/or video equipment to furniture not specifically designed to support audio and/or video equipment may result in death or serious injury due to the furnishing collapsing or over turning onto the child.



WARNING - For use with televisions weighing 80 lbs. /36.3 Kgs or less. Use with heavier televisions may result in instability causing tip over resulting in death or serious injury

TV Accommodates Most:

- 64" CONSOLE: Plasma/LCD-flat panel TV screen of various screen size to a maximum TV screen size 65 inches.

Each drawer should not be loaded more than 30 lbs. /13.6 Kgs each. Each shelf should not be loaded more than 30 lbs. /13.6 Kgs

DO NOT EXCEED RECOMMENDED LOAD. Use with products heavier than the maximum sizes and weights indicated may result in instability causing possible injury.

Do not allow children under 16 years to move unit

Manufactured for: Furniture Values International, LLC

Address: 601 N. 75th Avenue, Phoenix, AZ 85043

Always place TV no more than two inches from the back edge of the console. Placing TV more than two inches from the back edge may increase the risk that the console will tip over

DO NOT REMOVE THIS LABEL

Console SKU# 24019413 / 24079419