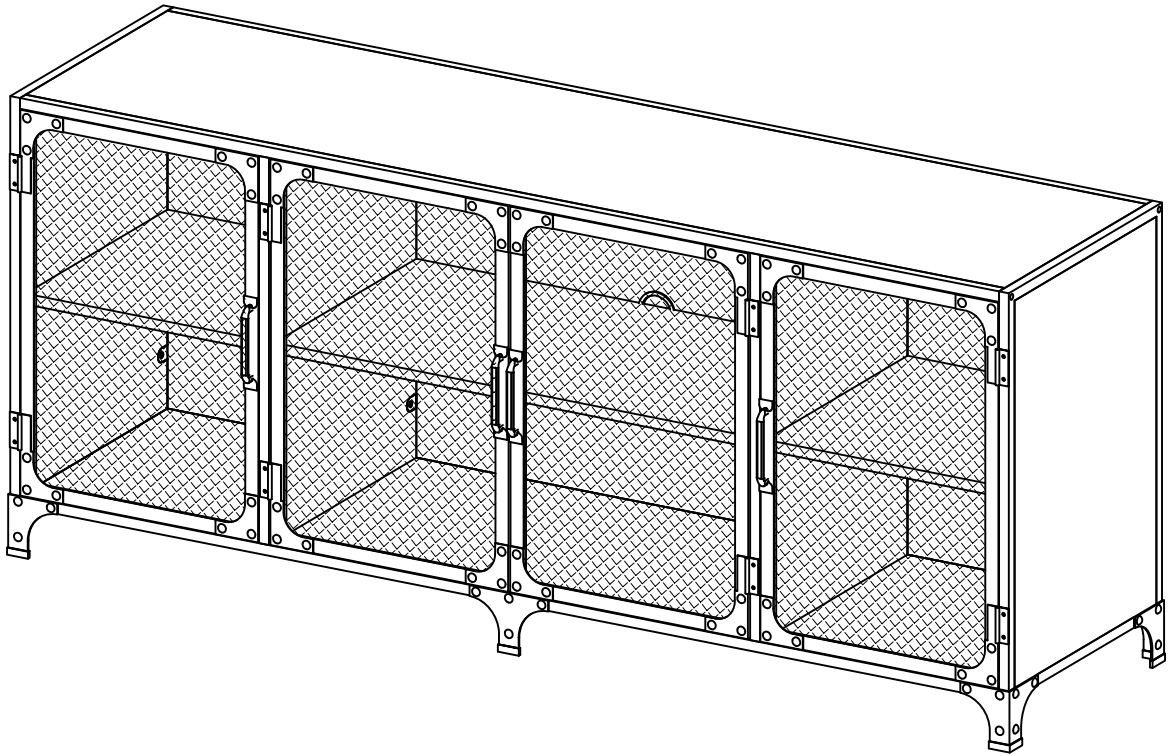


Item # : W60SOI4D  
Assembly Instructions

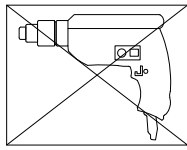


*Please visit our website for the most current instructions, assembly tips, report damage, or request parts. [www.walkeredison.com](http://www.walkeredison.com)*

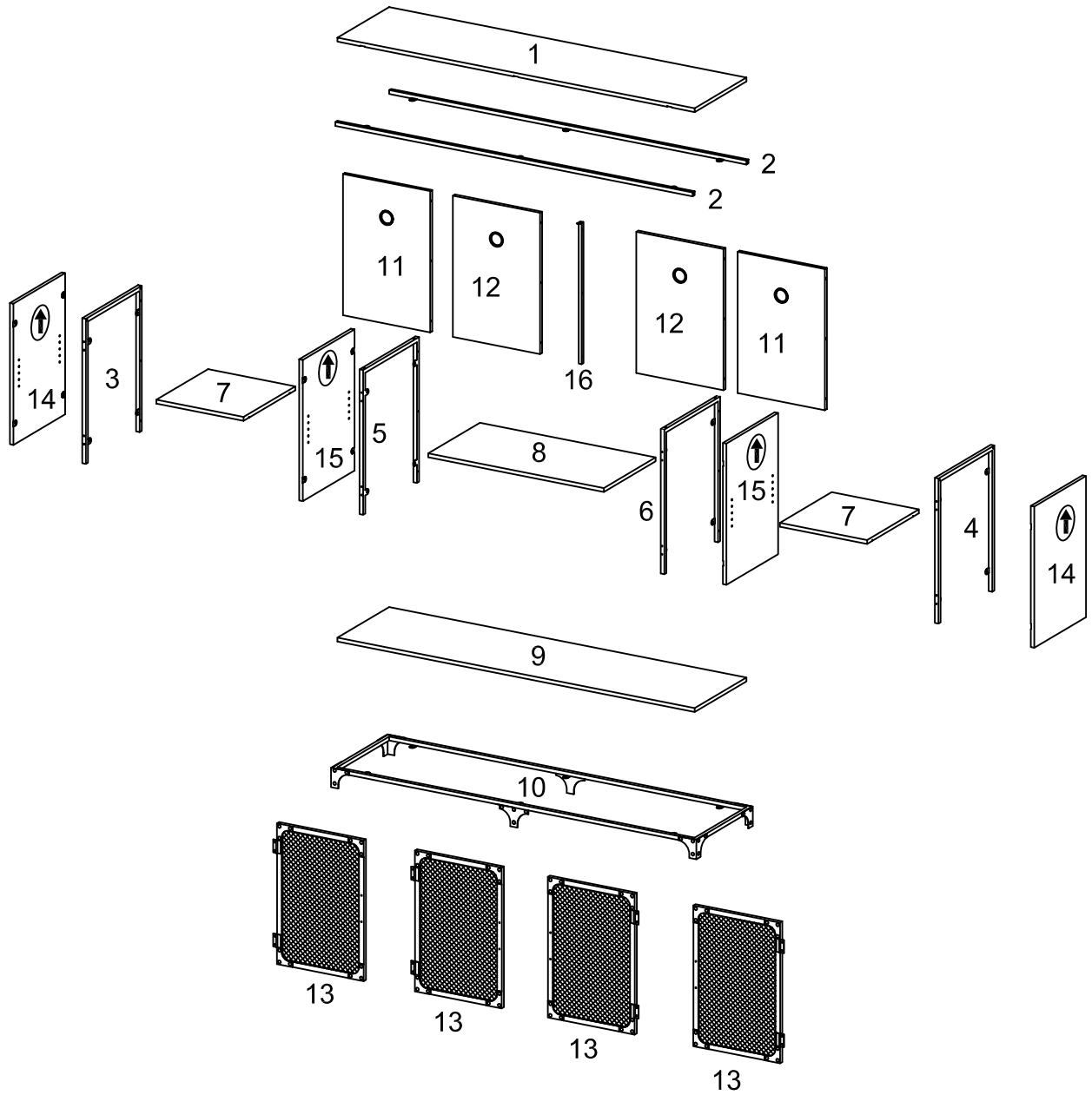
Revised 05/08/2018

# General Assembly Guidelines

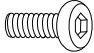
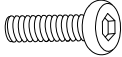
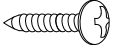

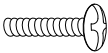
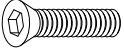


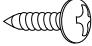
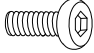

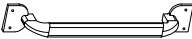
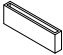
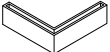
- I. Ensure that all parts and hardware are available before beginning assembly.
- II. Follow each step carefully to ensure the proper assembly of this product.
- III. Two people are recommended for ease in the assembly of this product.
- IV. The main type of hardware used to assemble this product is: bolts.
- V. Power tools should not be used to assemble this product .

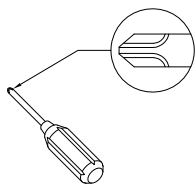


# Parts List



# Hardware List

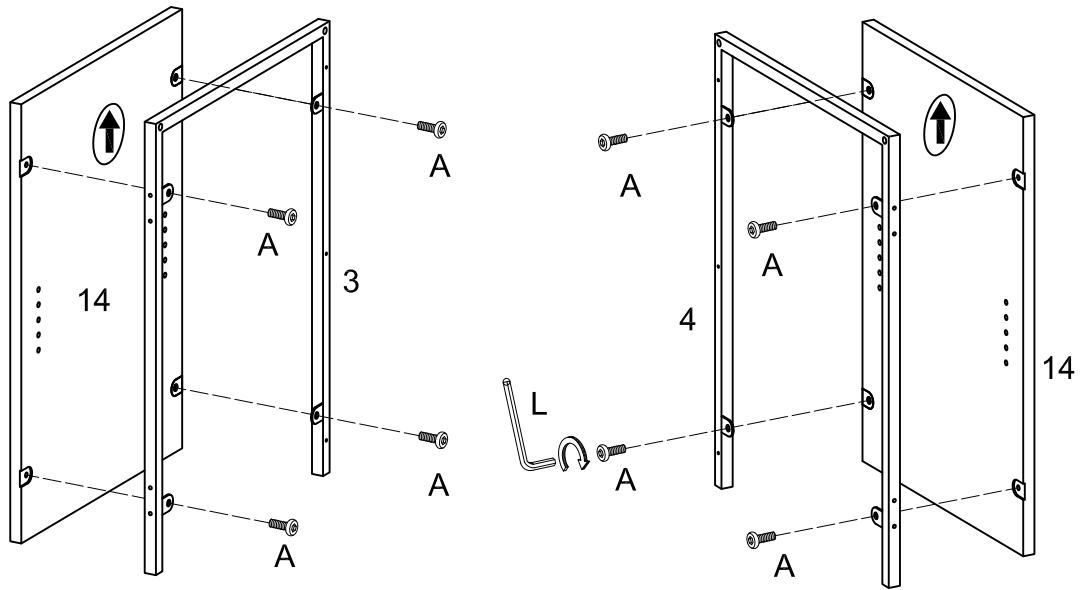
A		Ø1/4"x12mm	Bolt	27 pcs
B		Ø1/4"x25mm	Bolt	13 pcs
C		Ø4x12mm	Screw	16 pcs
D			Shelf support pin	12 pcs
E		Ø5/32x20mm	Bolt	8 pcs
F		Ø1/4"x25mm	Bolt	4 pc
G		Ø3x16mm	Screw	8 pcs
H			Door stopper	4 pcs
J		Ø4x8mm	Screw	24 pcs
K		Ø1/4"x15mm	Bolt	1 pc
L		M4	Hex key	1 pc
M			Handle	4 pcs
N			Plastic Cap	2 pcs
P			Plastic Cap	4 pcs



Philips head screwdriver required for assembly  
(not included)

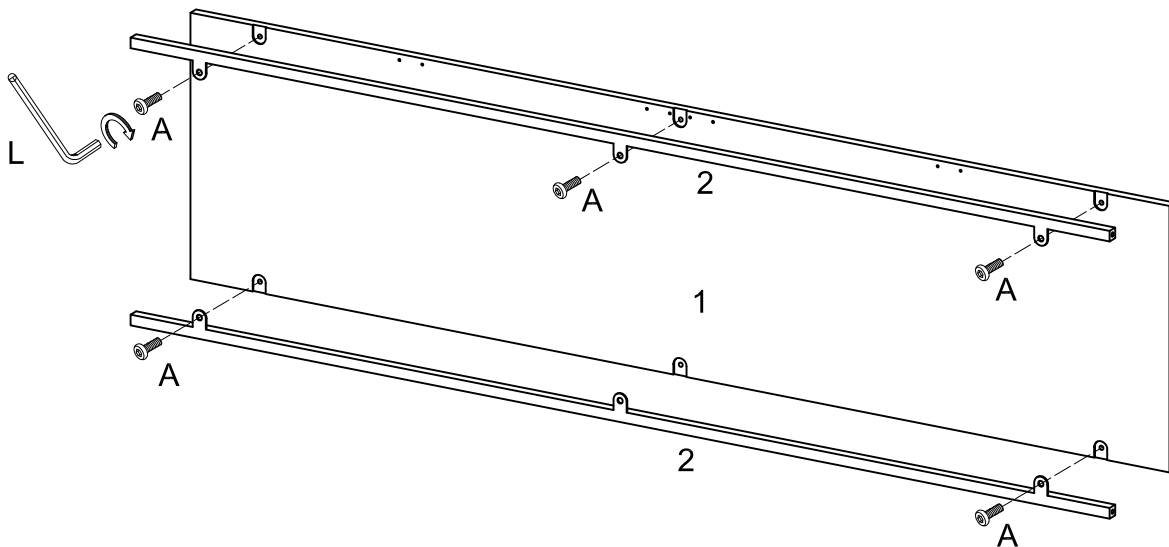
*The hardware quantities listed above are required for proper assembly.  
Some extra hardware may also have been included.*

# Step 1



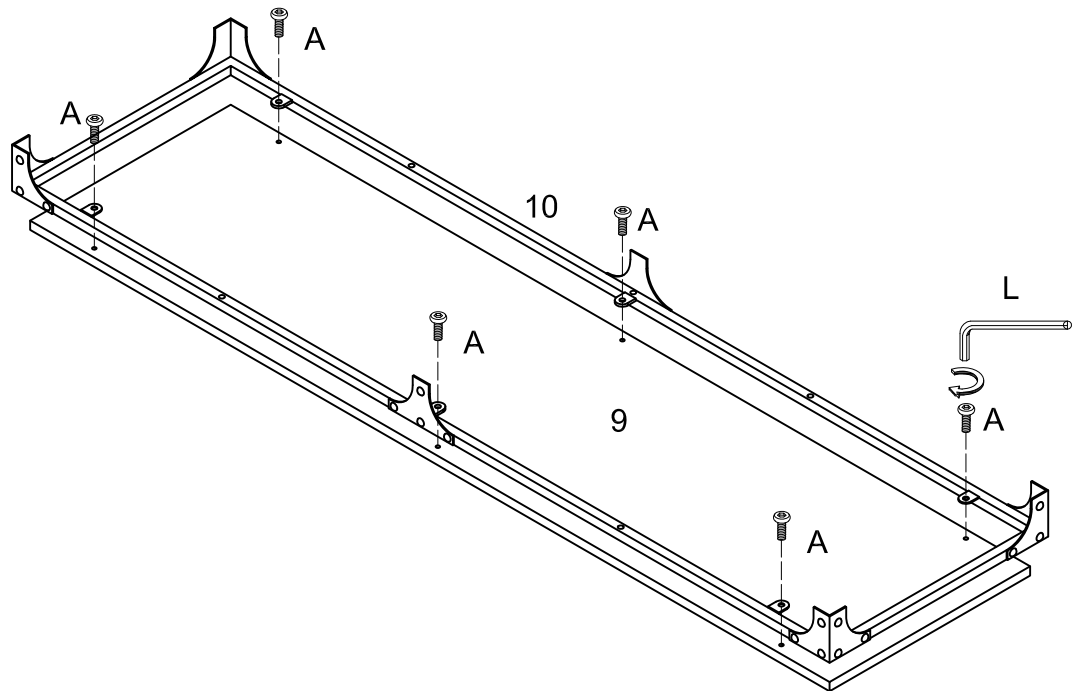
Attach part (3, 4) to part (14) using bolt (A) with hex key (L). After this step the arrow labels can be removed.

# Step 2



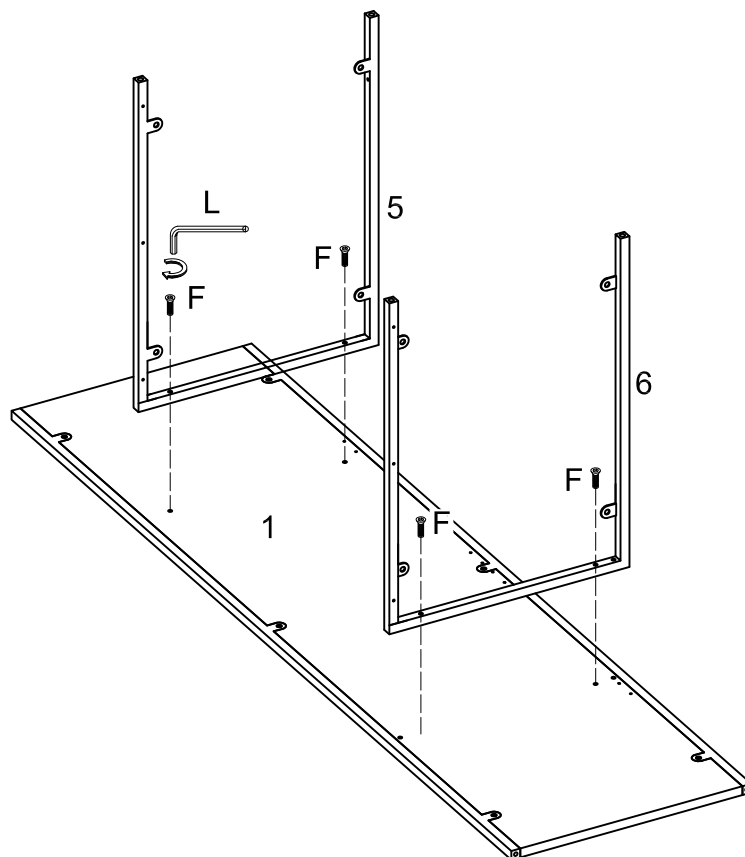
Attach part (2) to part (1) using bolt (A) with hex key (L).

## Step 3



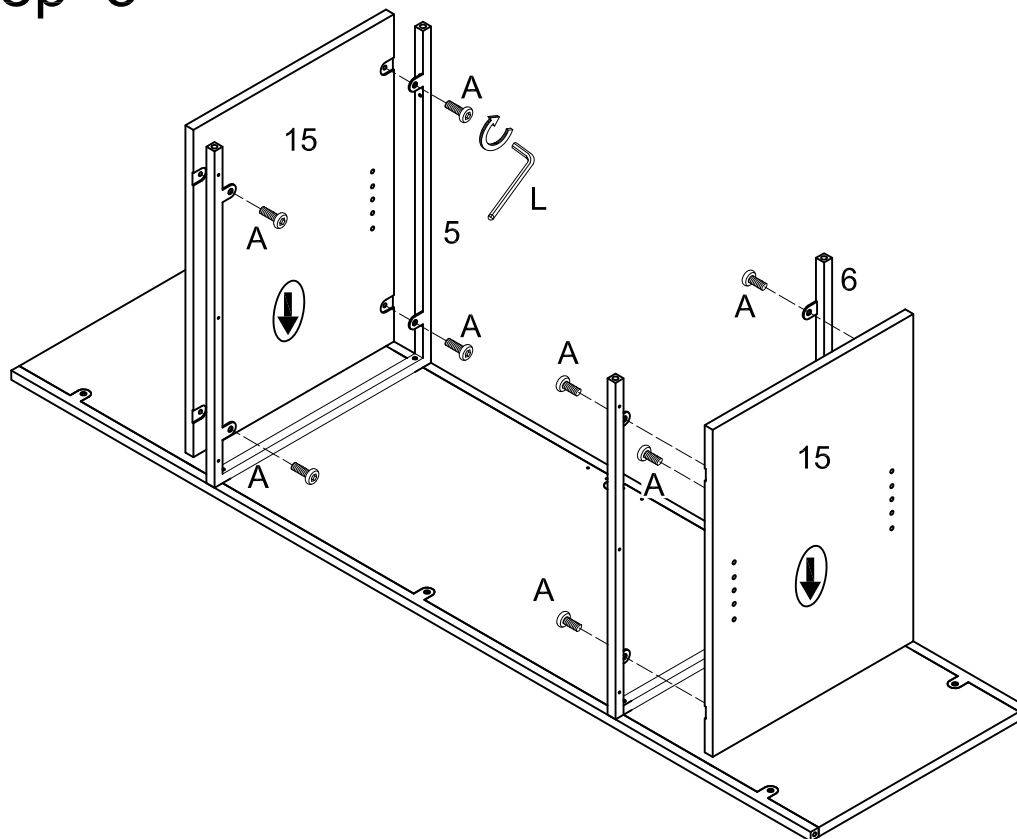
Attach part (10) to part (9) using bolt (A) with hex key (L).

## Step 4



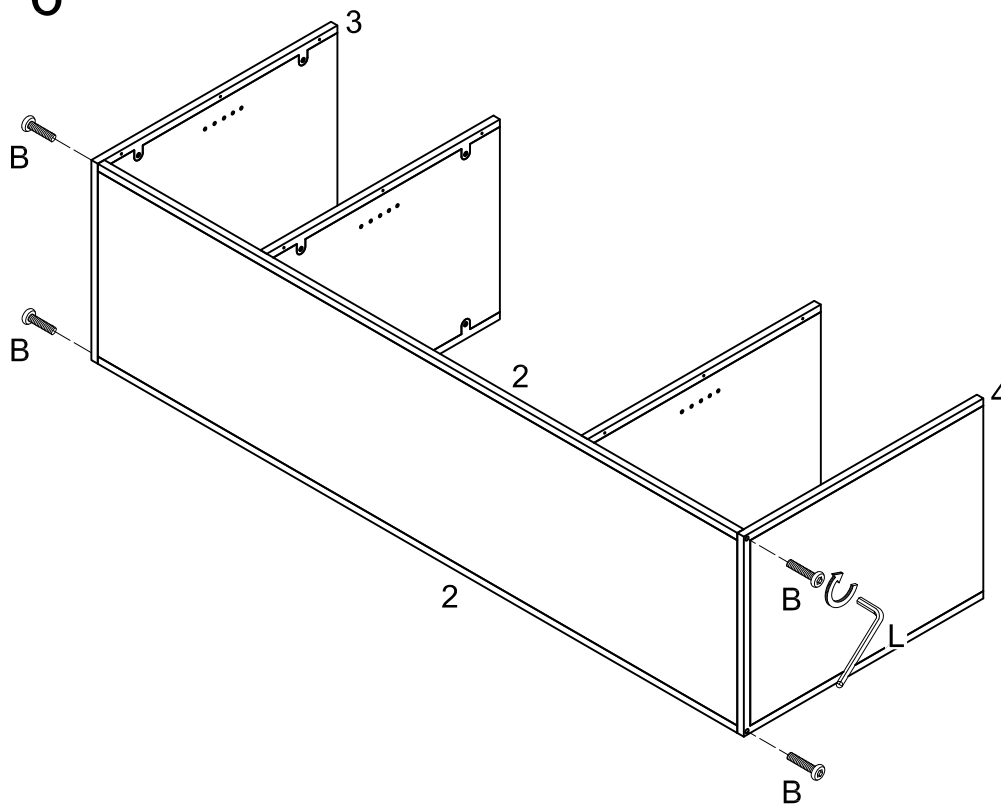
Attach part (5,6) to part (1) using bolt (F) with hex key (L).

## Step 5



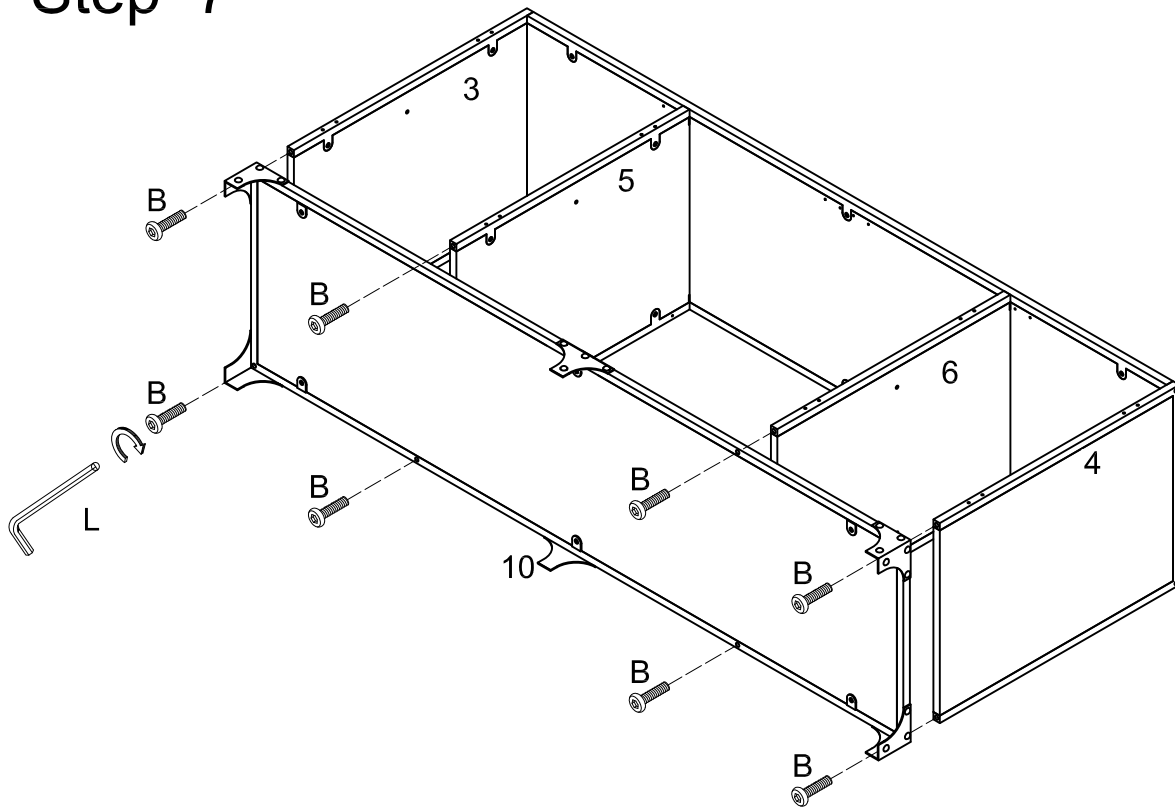
Attach part (5, 6) to part (15) using bolt (A) with hex key (L). After this step the arrow labels can be removed.

## Step 6



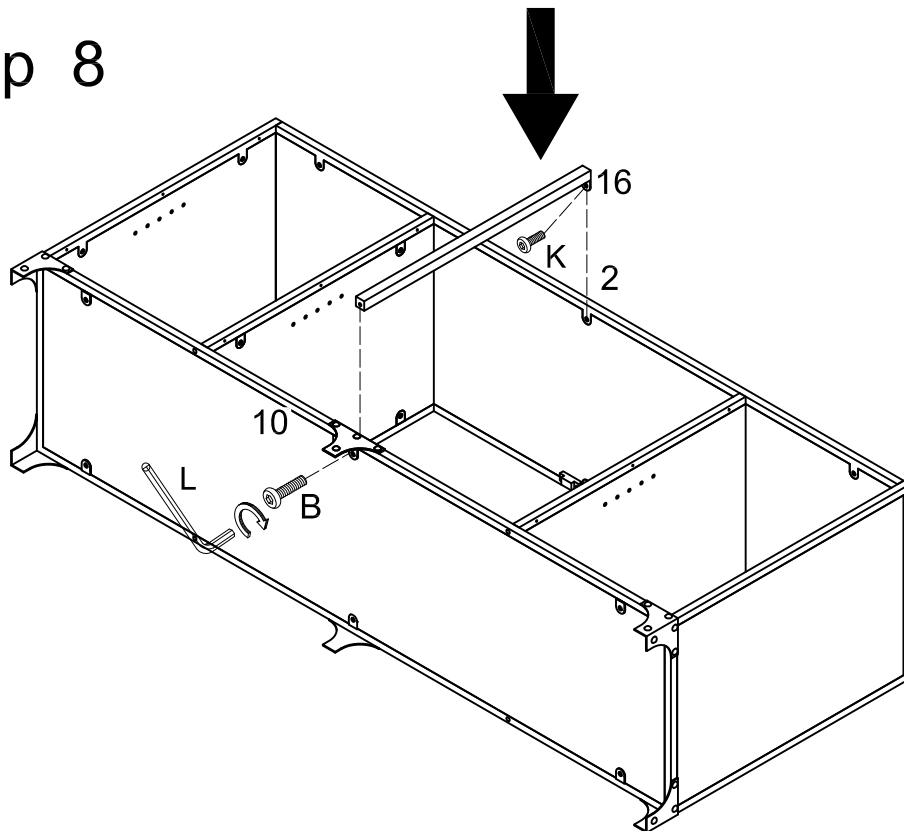
Attach part (3,4) to part (2) using bolt (B) with hex key (L).

## Step 7



Attach part (10) to part (3,4,5,6) using bolt (B) with hex key (L).

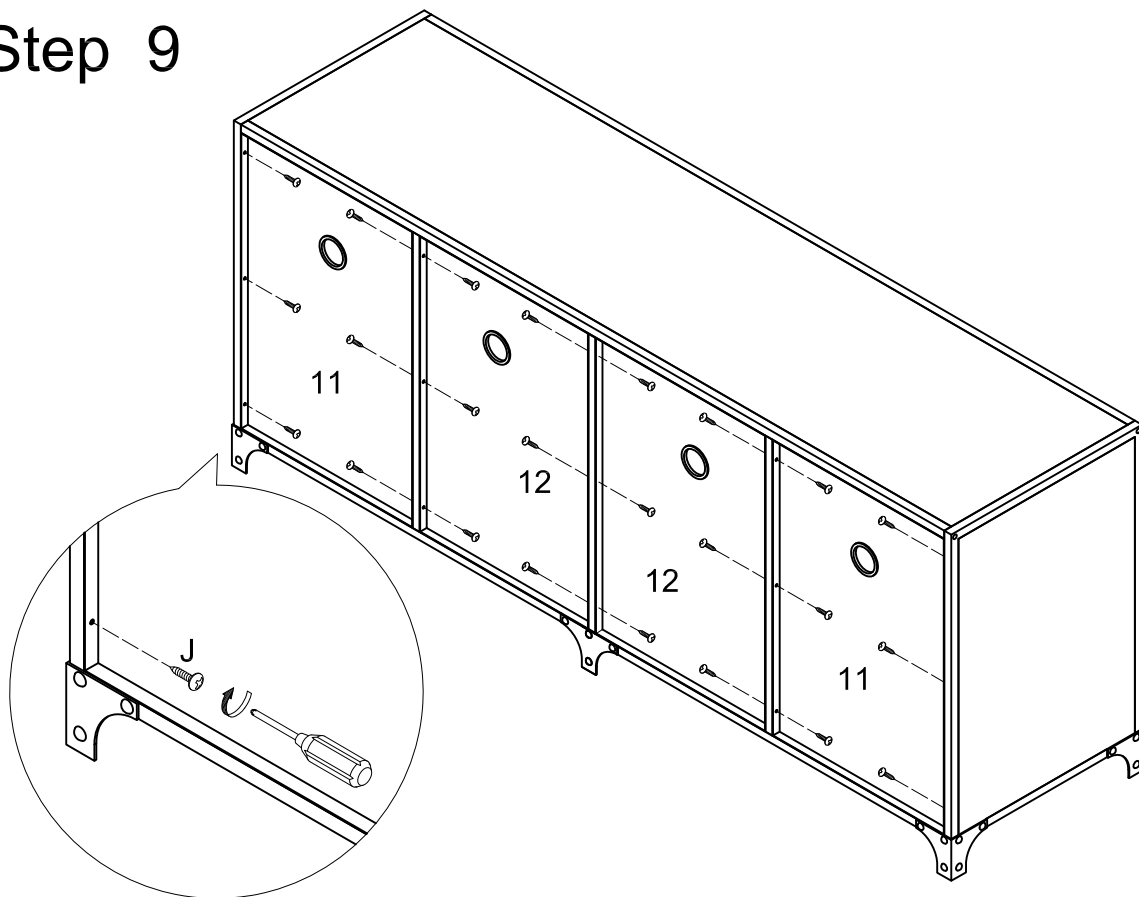
## Step 8



Attach part (16) to part (2) using bolt (K), and to part (10) using bolt (B) with hex key (L).

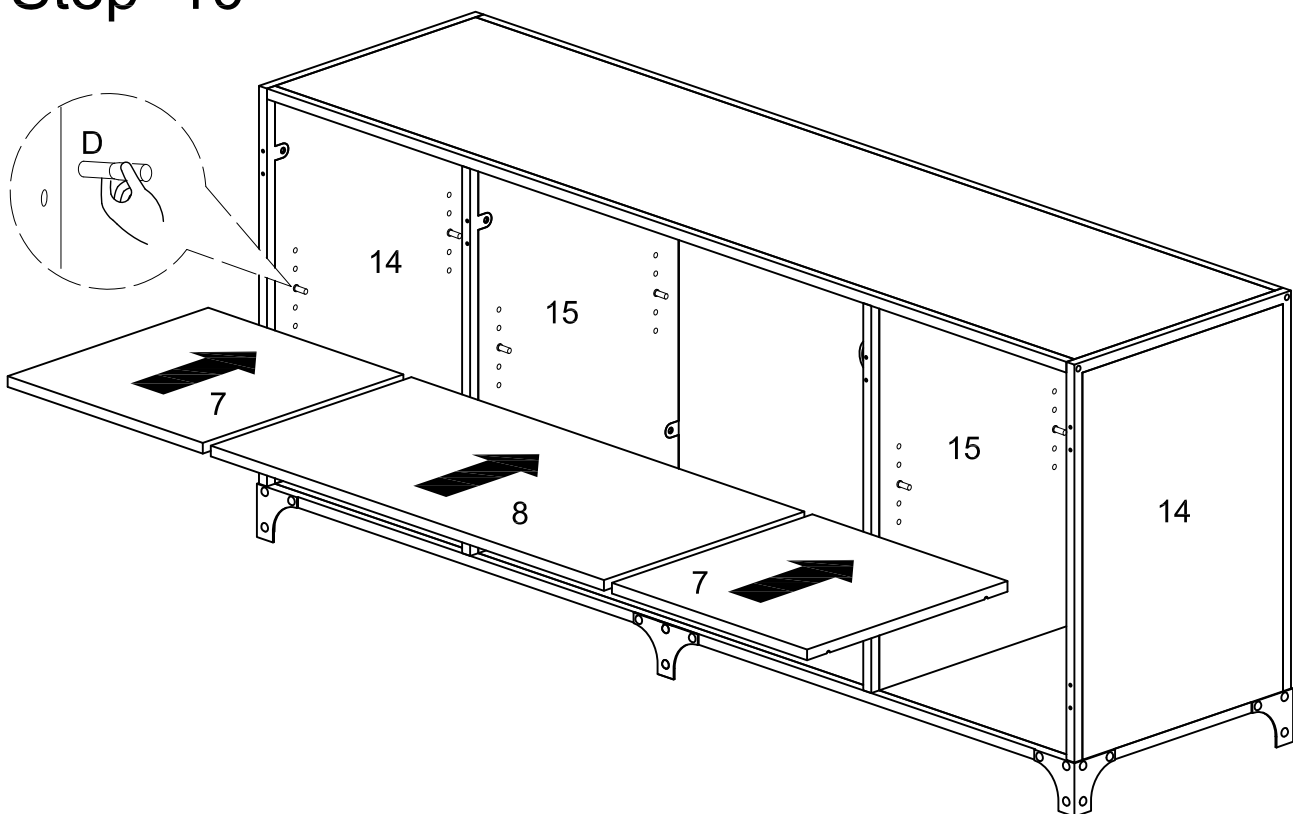


## Step 9



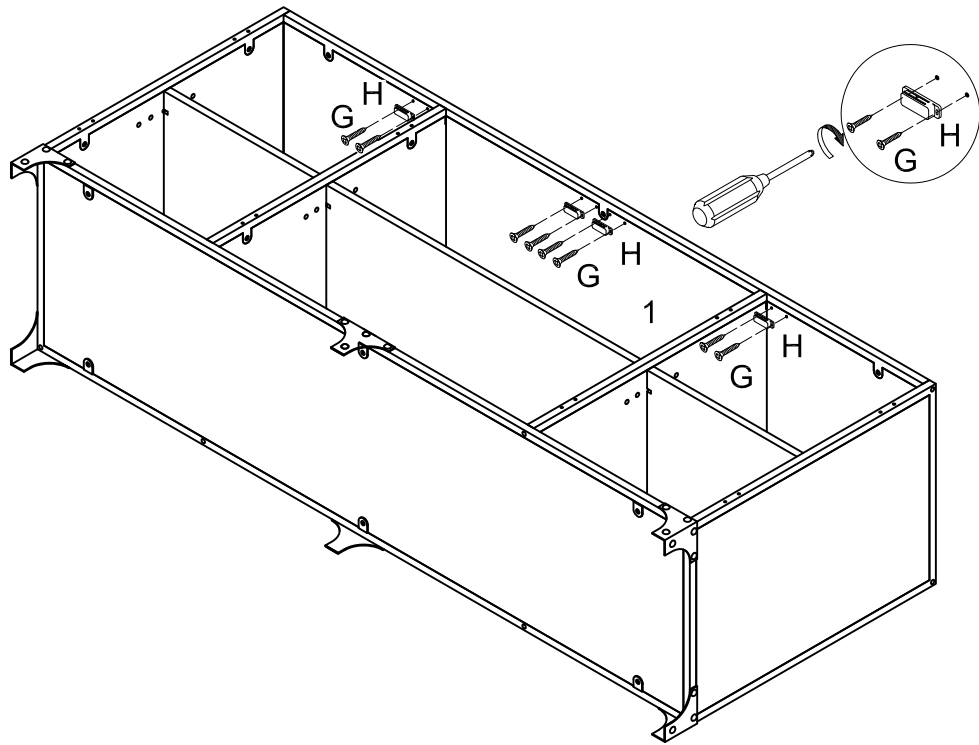
Secure screw (J) to part (11,12).

## Step 10



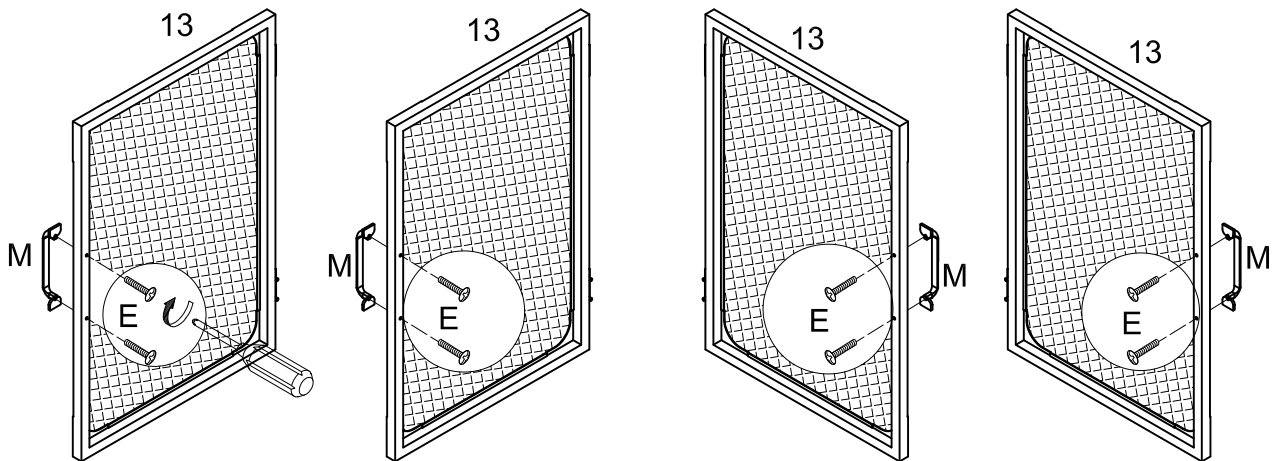
Insert shelf support pin (D) into part (14,15), then place shelf (7,8) on top of support pin (D).

## Step 11



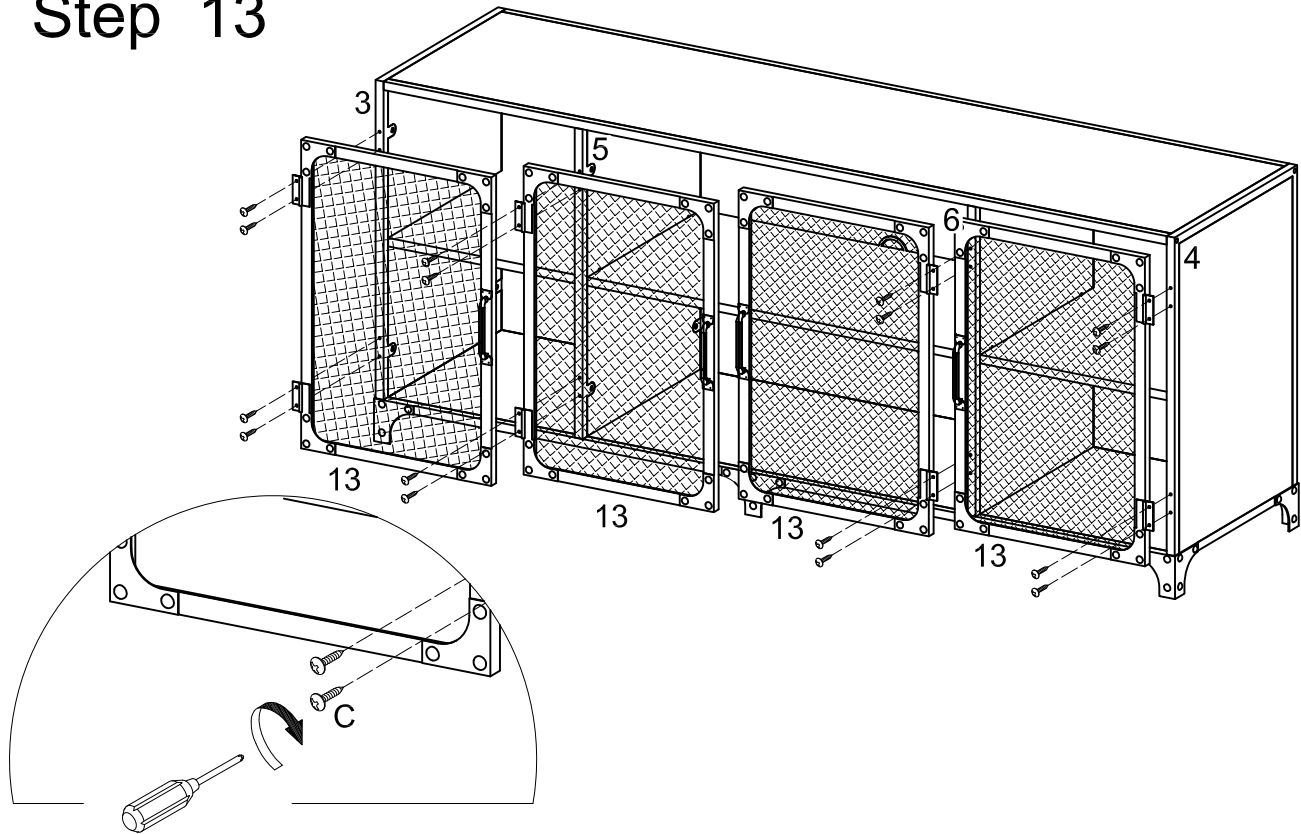
Attach door stopper (H) to part (1) using screw (G) with screwdriver.

## Step 12



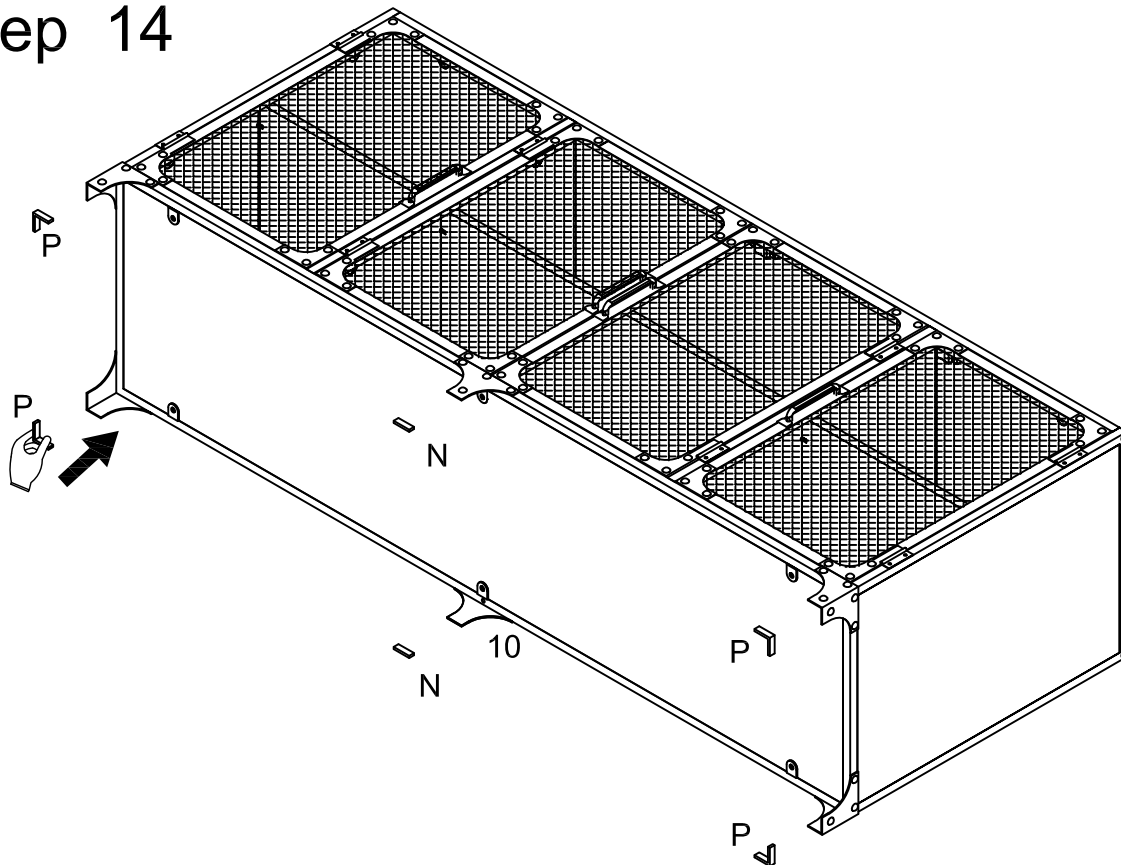
Attach handle (M) to part (13) using bolt (E) with screwdriver.

## Step 13



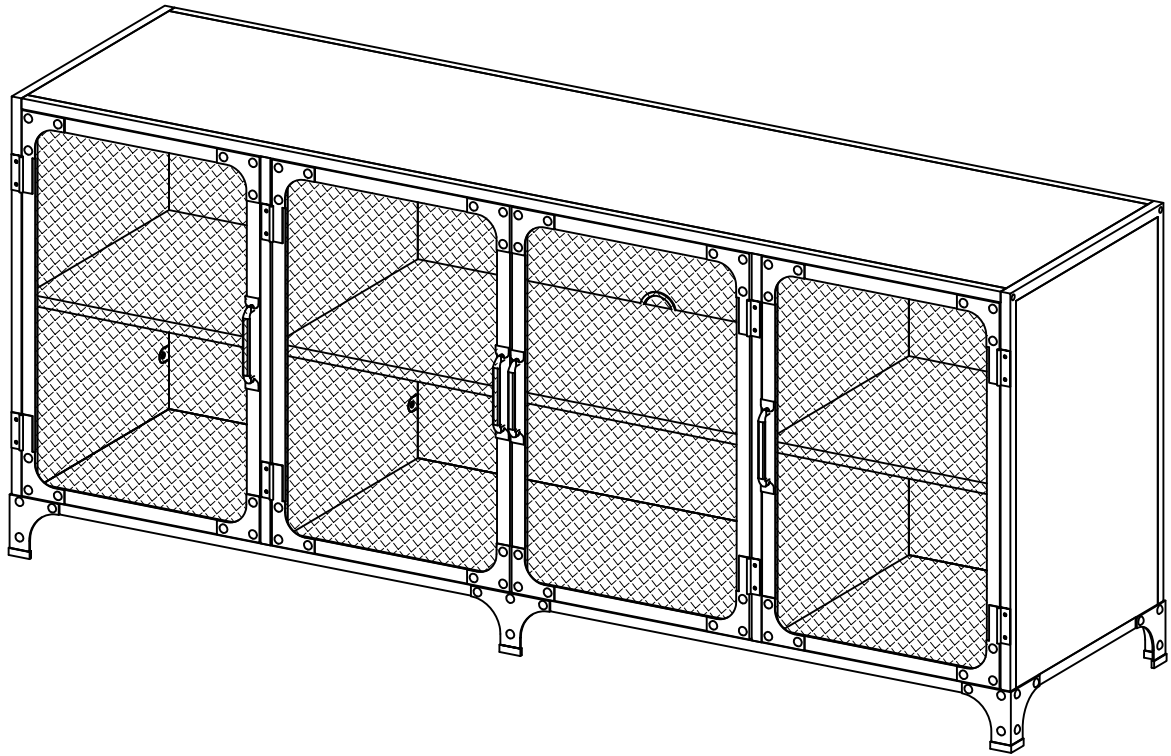
Attach part (13) to part (3,4,5,6) using screw (C) with screwdriver.

## Step 14



Insert plastic cap (N,P) into part (10).

# Step 15



## Final Assembly