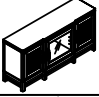




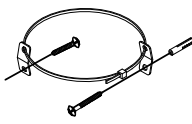
Assembly Instruction

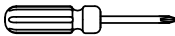
HMIS E3309-01 66" CONSOLE
 HMIS E3320-01 66" CONSOLE

SKU#: 24033095
 SKU#: 24033209

***Caution: Please read all instructions carefully before starting the assembly process. These parts are cumbersome and heavy. Therefore, two people are recommended in order to prevent personal injury and ensure the parts are not damaged during the assembly

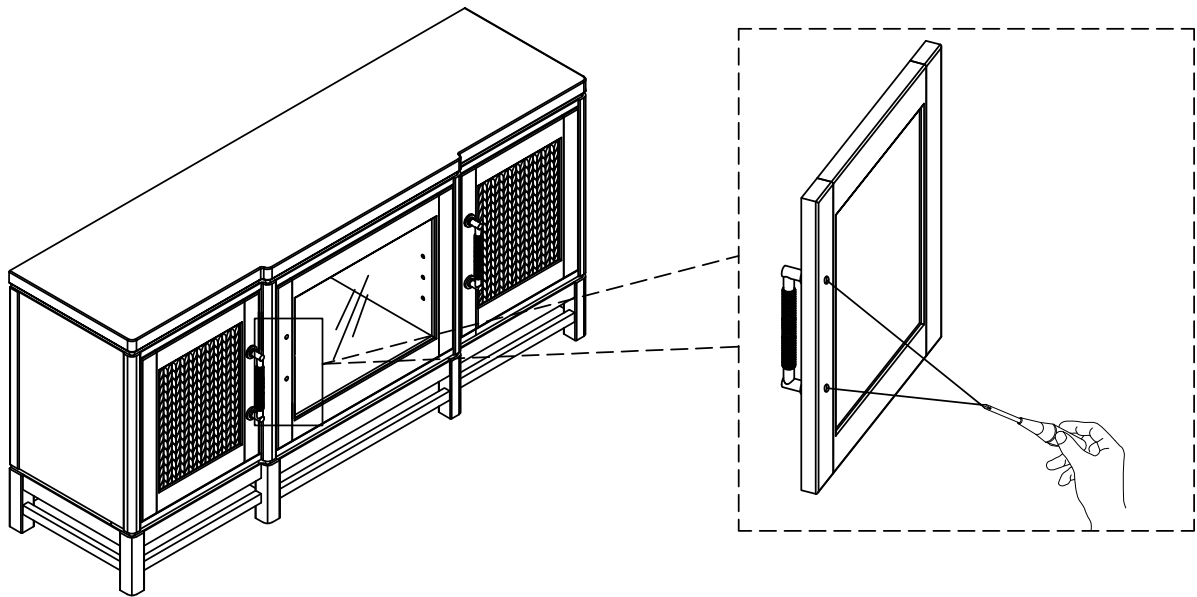
Code	PARTS LIST:		
A	Console		1Pc
B	Glass shelving		1Pc

Step	Code	Hardware List		
3	C	Shelf Pin		4Pcs
7	D	Screw - #8x3x50mm		1Pc
		Screw - #8x3x15mm		1Pc
		Metal Anchor - 1.2x15x15mm		2Pcs
		Restrain Strap - 5x7x250mm		1Pc
		Fisher - Ø1/4"x40mm		1Pc

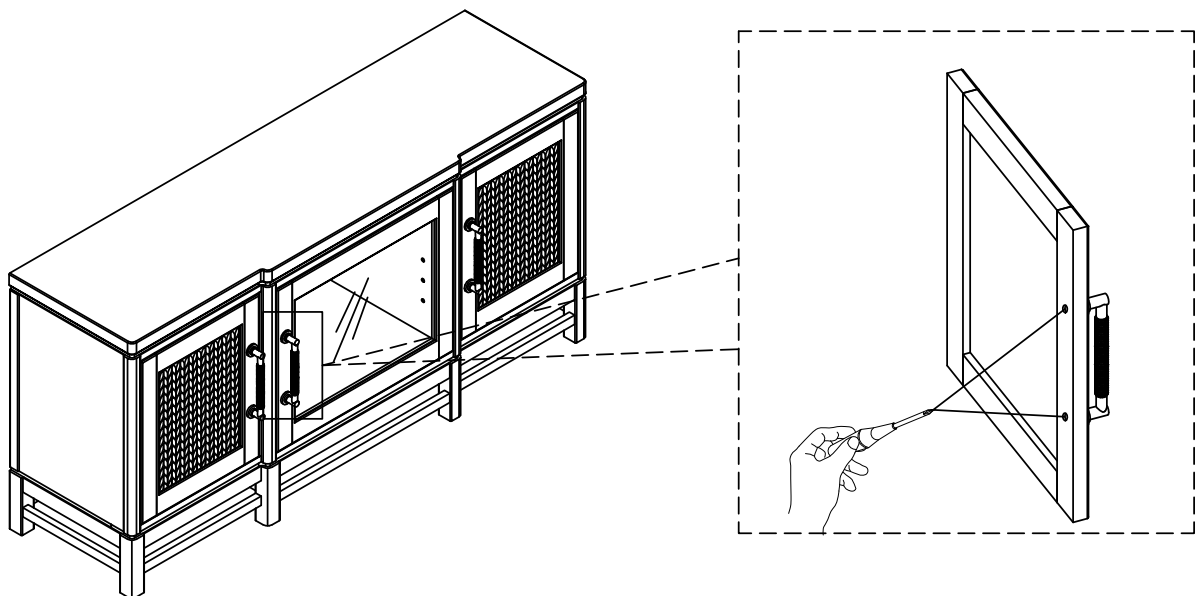
TOOLS REQUIRED (NOT PROVIDED)	
Description	Sketch
Phillips screwdriver	

Step 1: Use a philips screwdriver to remove the two bolts on the middle door with glass front.
 Step 2: Bring the handle to the outside and then use a screwdriver to lock the two bolts.

STEP 1



STEP 2



Hardware Pack Location(s):
 HMIS E3309-01 66" CONSOLE, SKU# : 24033095
 HMIS E3320-01 66" CONSOLE, SKU# : 24033209

This product is manufactured by HMIS for

ROOMS TO GO ▶

MADE IN VIETNAM

1 OF 4

Assembly Instruction

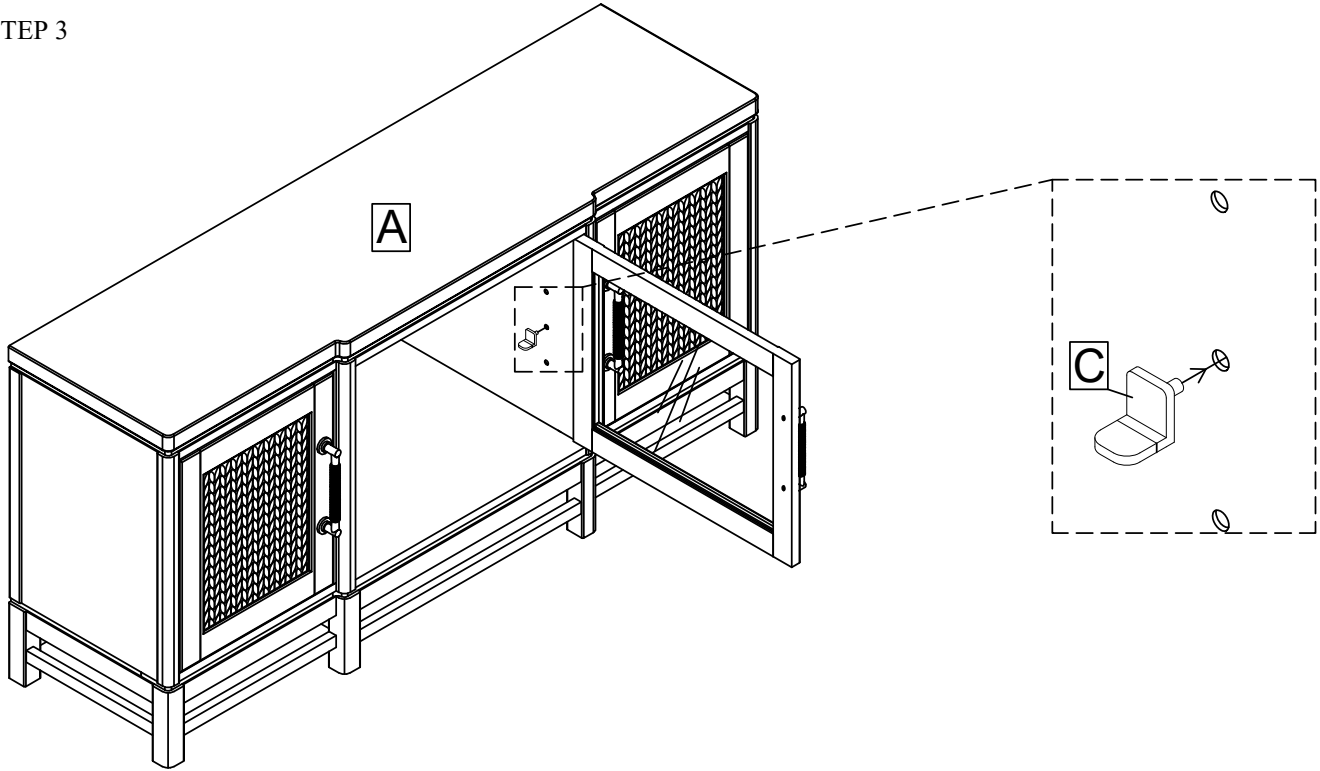
HMIS E3309-01 66" CONSOLE
HMIS E3320-01 66" CONSOLE

SKU#: 24033095
SKU#: 24033209

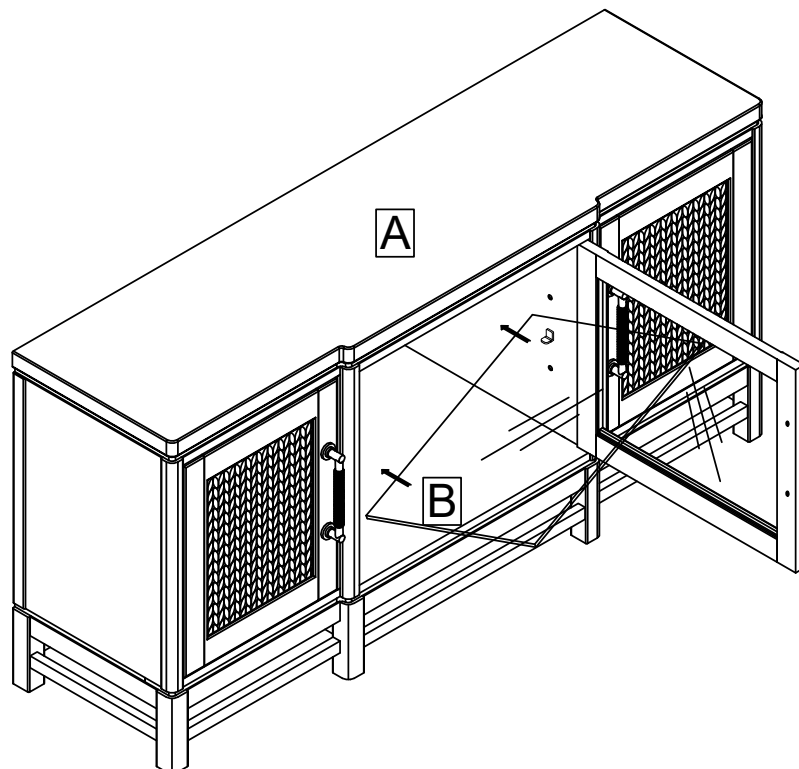
Step 3: Put the Shelf pin(C) holder into the ready drilled hole.

Step 4: Bring the glass shelving(B) carefully and put it on the pin holder.

STEP 3



STEP 4



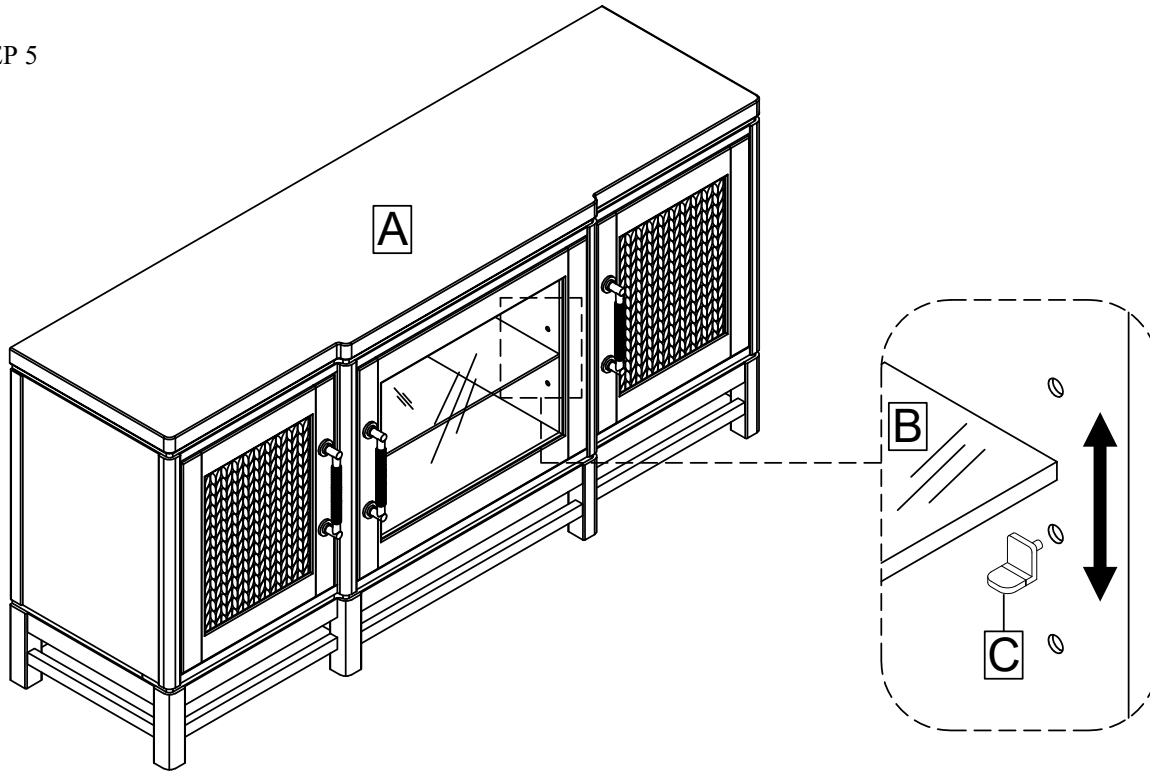
Assembly Instruction

HMIS E3309-01 66" CONSOLE
HMIS E3320-01 66" CONSOLE

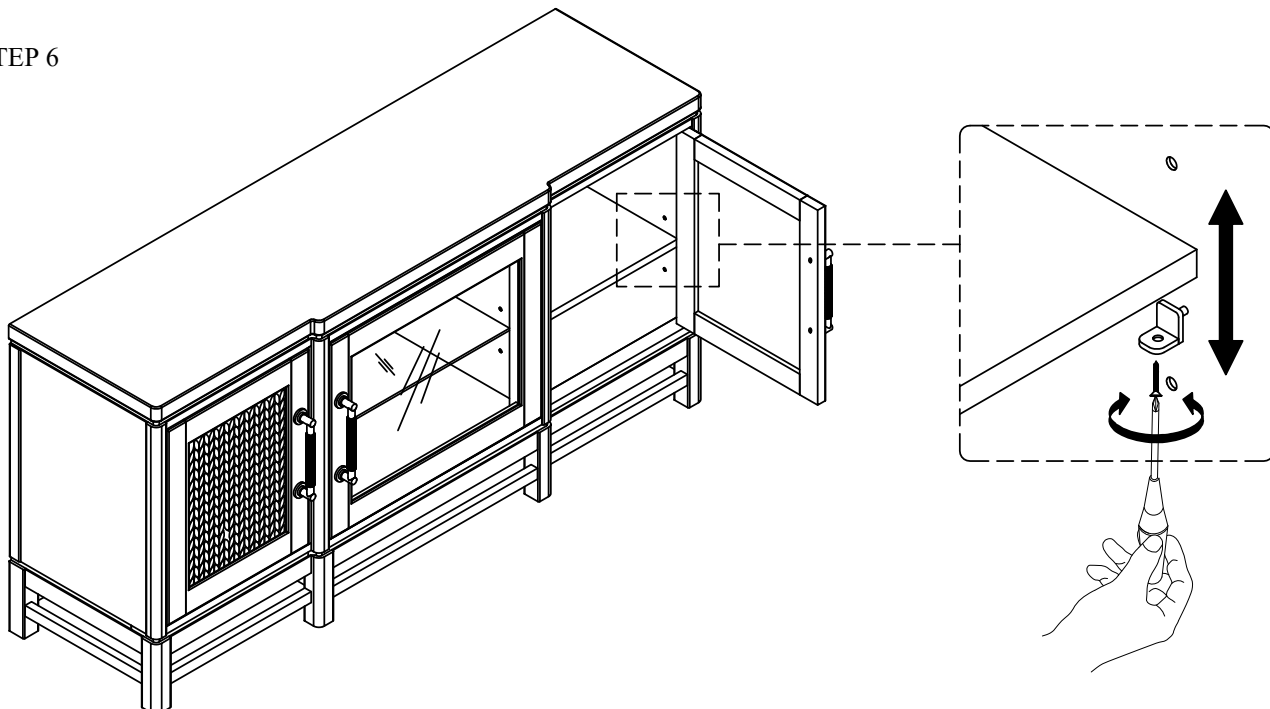
SKU#: 24033095
SKU#: 24033209

Step 5: The glass shelving could be adjustable to lower or upper position per users' arbitrary choice.
Step 6: The polywood shelving could be adjustable to lower or upper position per users' arbitrary choice.

STEP 5



STEP 6



This product is manufactured by HMIS for

MADE IN VIETNAM

ROOMS TO GO ▶

3 OF 4

Assembly Instruction

HMIS E3309-01 66" CONSOLE
HMIS E3320-01 66" CONSOLE

SKU#: 24033095
SKU#: 24033209

RECOMMENDED: Install the anti-tipping kit(D).

STEP 7

