



# ASSEMBLY INSTRUCTION

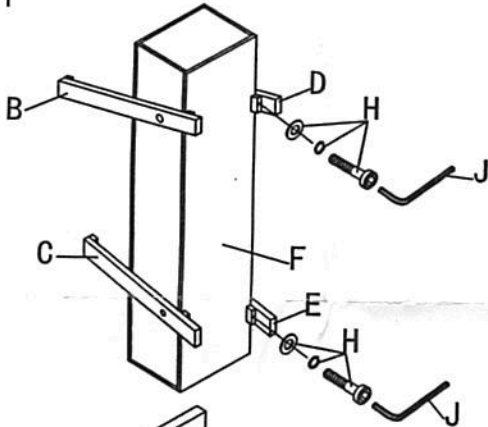
## ALEK V1226 - 8 60" Console

SKU: 24042260

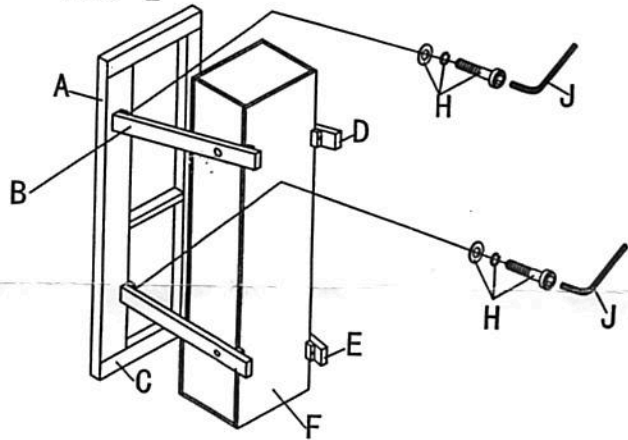
NO.	PART	DESCRIPTION	Q'TY
A		Top	1
B		Left Leg 1	1
C		Left Leg 2	1
D		Right Leg1	1
E		Right Leg2	1

NO.	PART	DESCRIPTION	Q'TY
F		BOX	1
G		Center Leg	1
H		5/16"X1-1/2" Bolt	10
I		Cover	2
J		Allen key	1

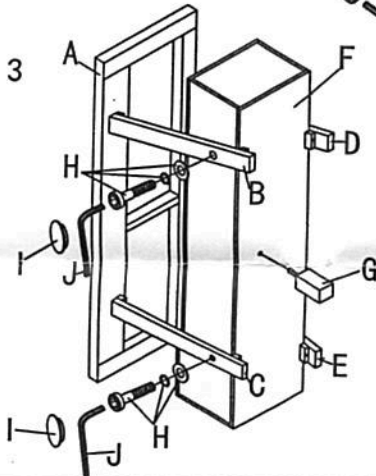
### STEP 1



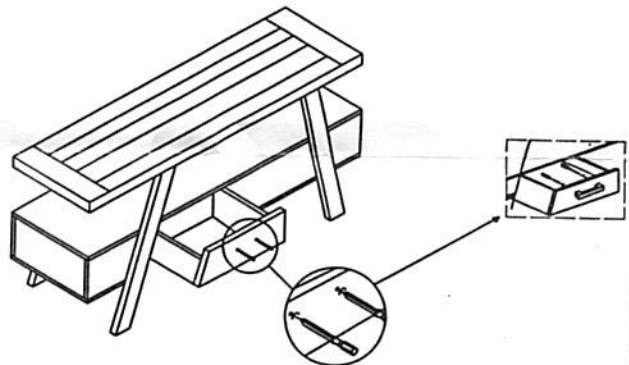
### STEP 2



### STEP 3



### STEP 4



- Carefully all the parts from the carton and place them individually on a soft cloth.
- Attach Left Leg1 (B) to Box (F) use Bolt (H) tighten by Allen key (J), Do not lock too tight, Left Leg2 (C) & Right Leg1 (D) & Right Leg2 (E) assembly way is the same with Left Leg1 (B), See picture Step1.
- Attach Top (A) to Left Leg1 (B) use Bolt (H) tighten by Allen key (J), Do not lock too tight, Top (A) to Left Leg2 (C) & Right Leg1 (D) & Right Leg2 (E) assembly way is the same with Left Leg1 (B), See picture Step2.
- Attach Left Leg1 (B) to Box (F) use Bolt (H) tighten by Allen key (J), cover the counterbore use Cover (I), Left Leg2 (C) assembly way is the same with Left Leg1 (B) See picture Step3.
- Put out the drawer and remove the handle by a screwdriver, Place the handle outside the drawer, Attach the handle to drawer use screw tighten by a screwdriver See picture Step4.
- Please tighten the Legs 100%.
- Enjoy you table for a long time to come.

MADE IN VIETNAM