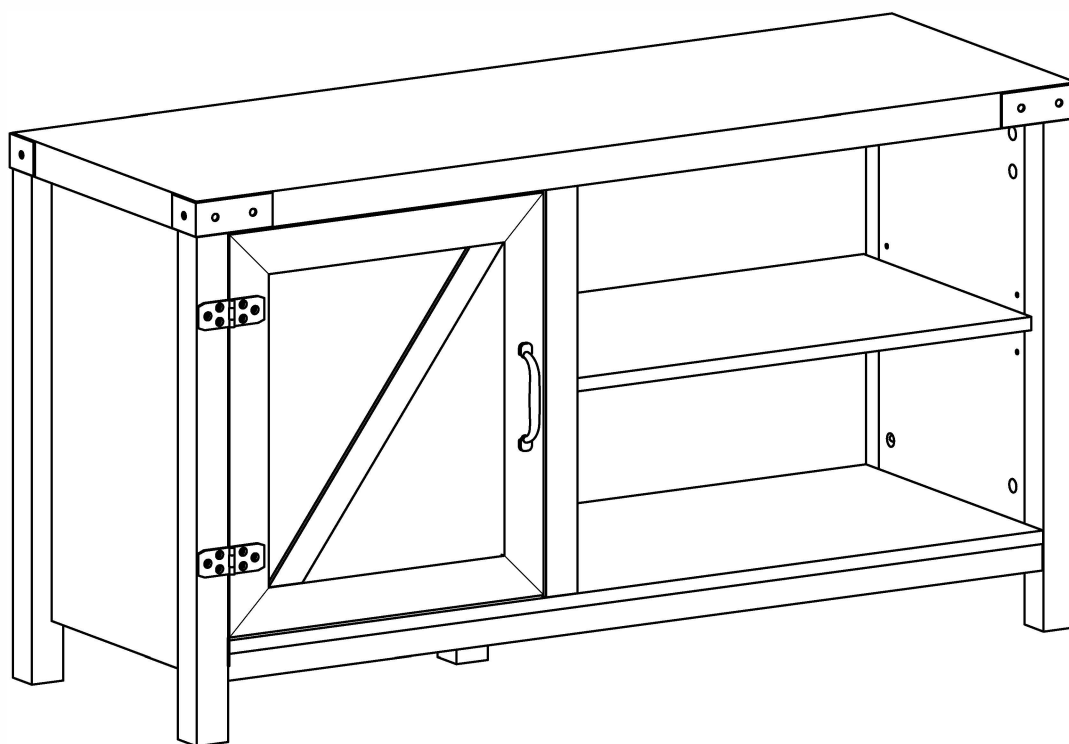


Item # : W44BD1D
Assembly Instructions

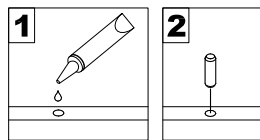


Please visit our website for the most current instructions, assembly tips, report damage, or request parts. www.walkerredison.com

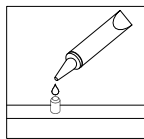
Revised 04/17/2018

General Assembly Guidelines

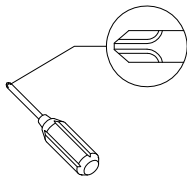
- I. Ensure that all parts and hardware are available before beginning assembly.
- II. Follow each step carefully to ensure the proper assembly of this product.
- III. Two people are recommended for ease in the assembly of this product.
- IV. The three main types of hardware used to assemble this product are : wood dowels , screws and bolts.
- V. The provided glue is to secure wood dowels in place . When first inserting dowels , locate the appropriate hole for the dowel , place a small amount of glue in the hole and insert the dowel . Wipe away excess glue immediately.



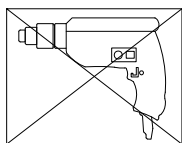
In future assembly steps when dowels are necessary to attach assembly parts together , place a small amount of glue on the end of the dowel before attaching parts together . Wipe away excess glue immediately.



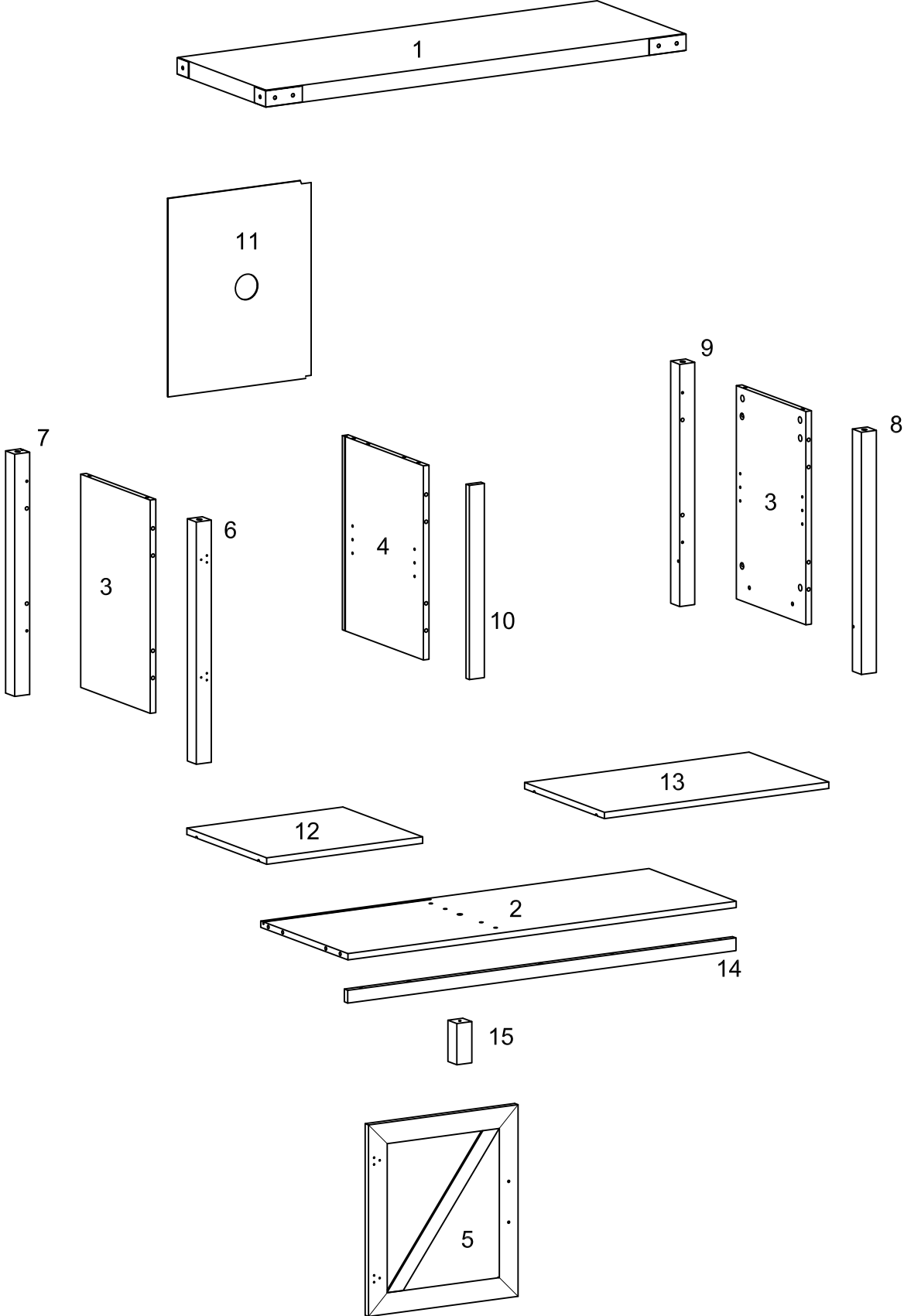
- VI. A Phillips head screwdriver is required for the assembly of this product .



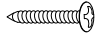




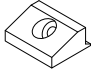

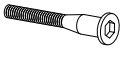


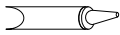

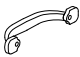

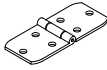
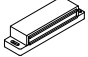

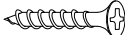
- VII. Power tools should not be used to assemble this product .

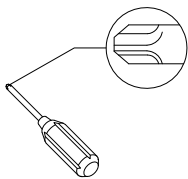


Parts List



Hardware List

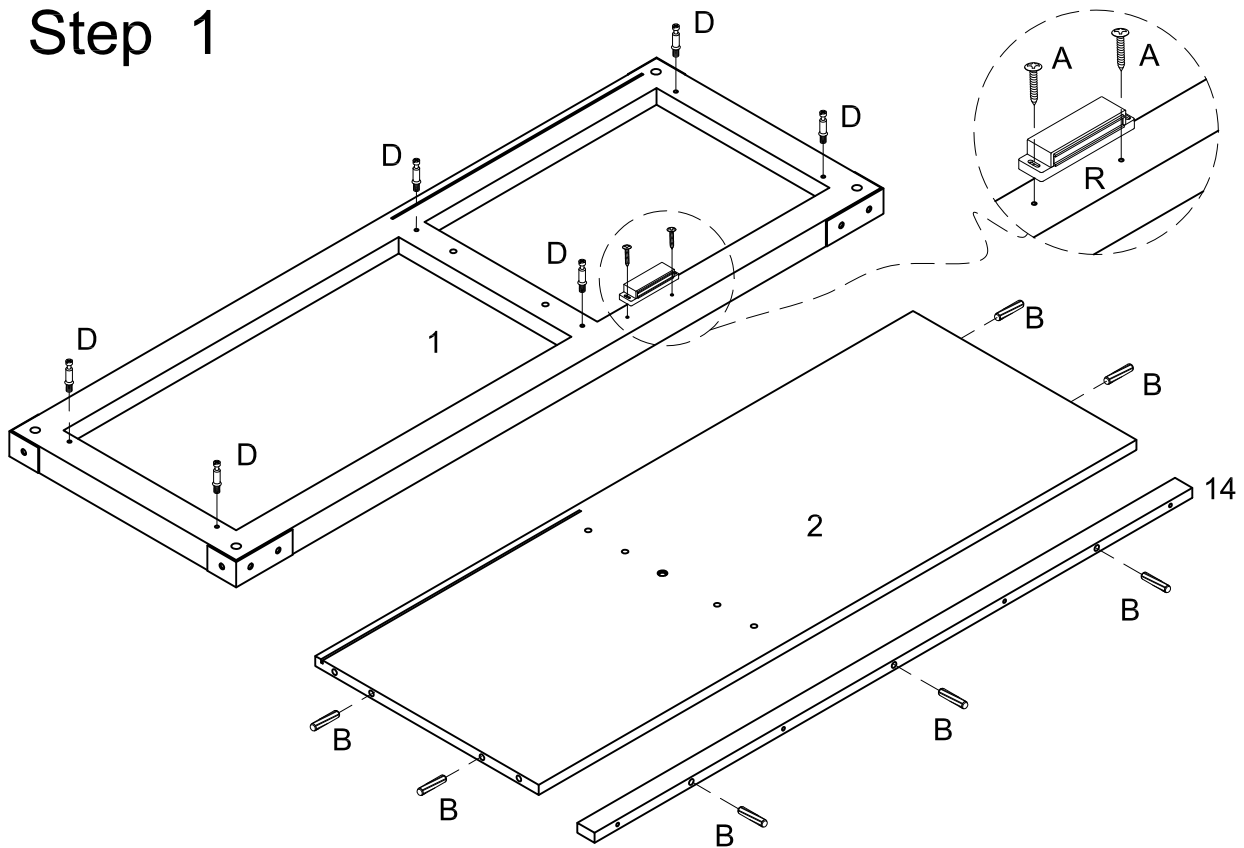
A		Ø3x15	screw	2 pcs
B		Ø8x30mm	Wooden dowel	25 pcs
C		Ø15x11mm	Cam lock	20 pcs
D		Ø6x32mm	Cam bolt	20 pcs
E		Ø30mm	Sticker	20 pcs
F			Plastic wedge	4 pcs
G		Ø3x17	Flat-head screw	4 pcs
H		Ø6x50mm	Bolt	3 pcs
J		Ø5x16mm	Shelf support pin	8 pcs
K		Ø3x12	Screw	13 pcs
L			Glue tube	1 pcs
M		Ø4x22mm	Bolt	2 pcs
N			Handle	1 pcs
P			Door plate	1 pcs
Q			Hinge	2 pcs
R			Door stopper	1 pcs
S		M 4	Hex key	1 pcs
T		Ø4x38mm	Screw	4 pcs



Philips head screwdriver required for assembly
(not included)

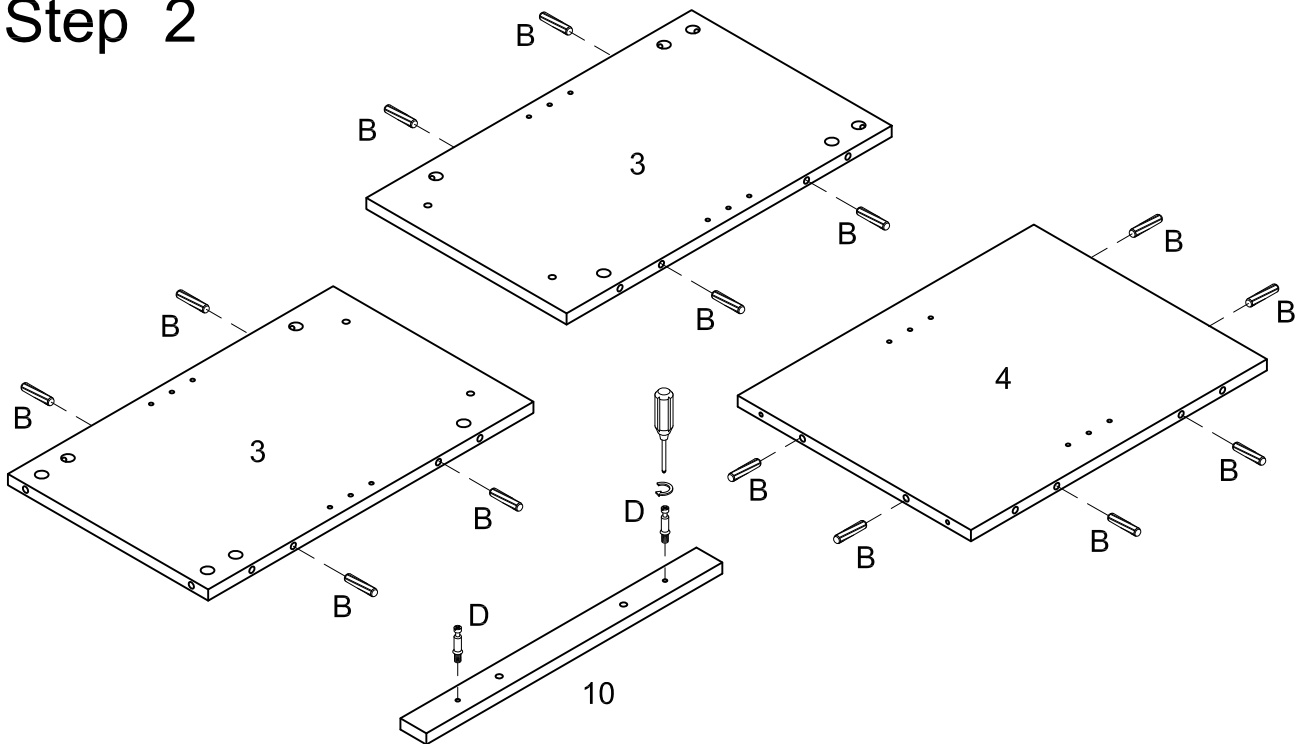
*The hardware quantities listed above are required for proper assembly.
Some extra hardware may also have been included.*

Step 1



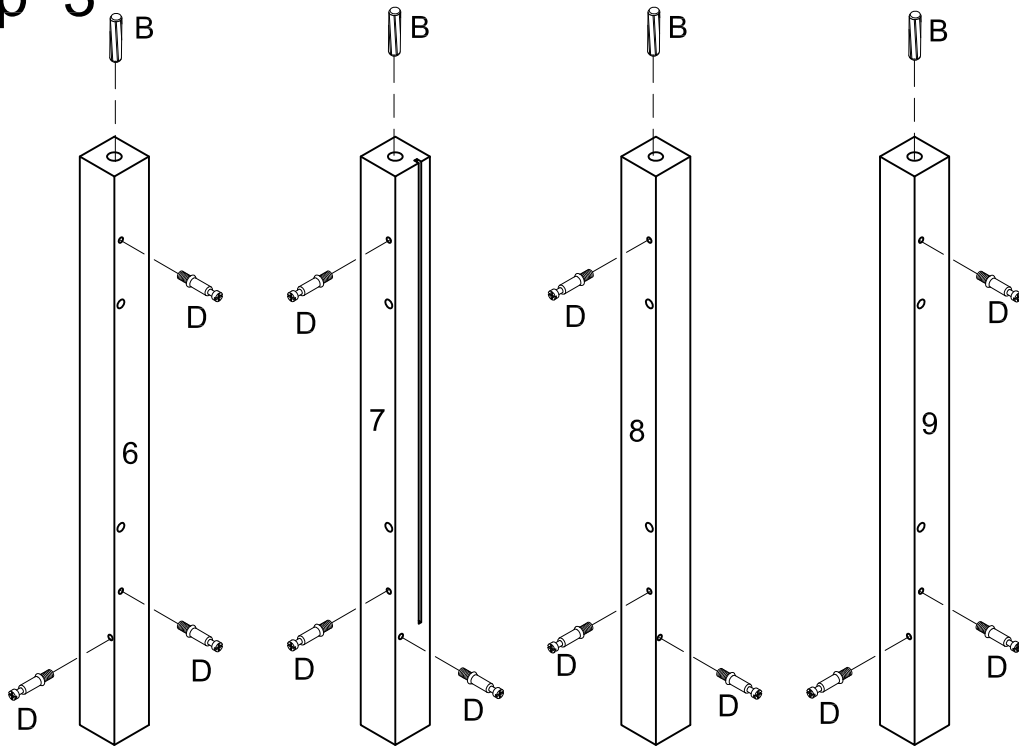
Attach door stopper (R) to part (1) using screw (A) with screwdriver. Insert cam bolt (D) to part (1). Insert wooden dowel (B) to part (2,14).

Step 2



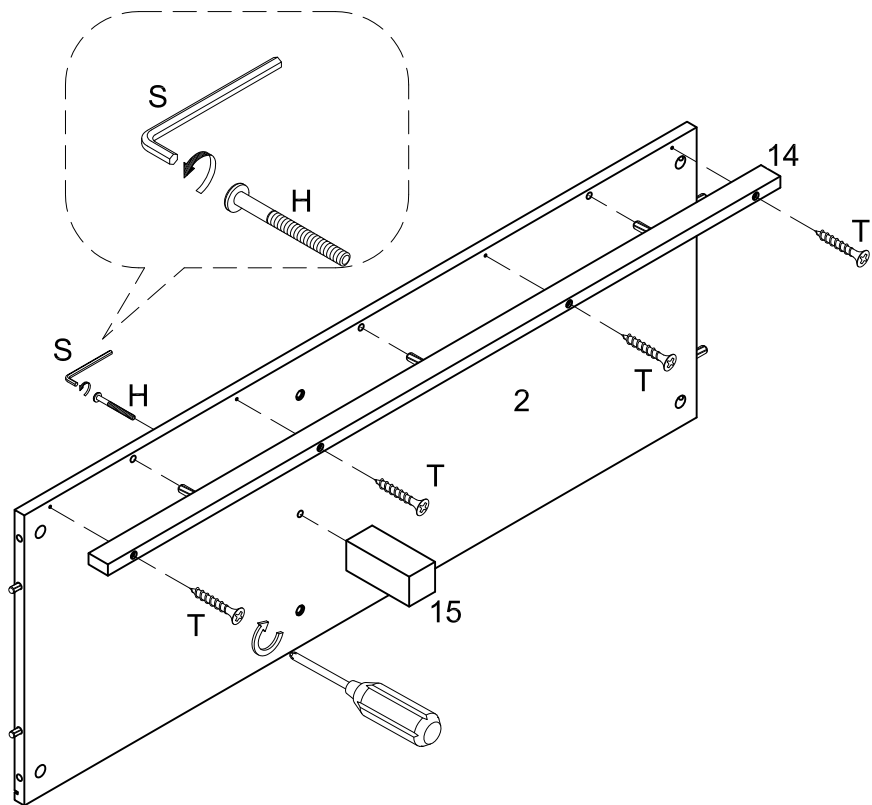
Insert cam bolt (D) to part (10). Insert wooden dowel (B) to part (3,4).

Step 3



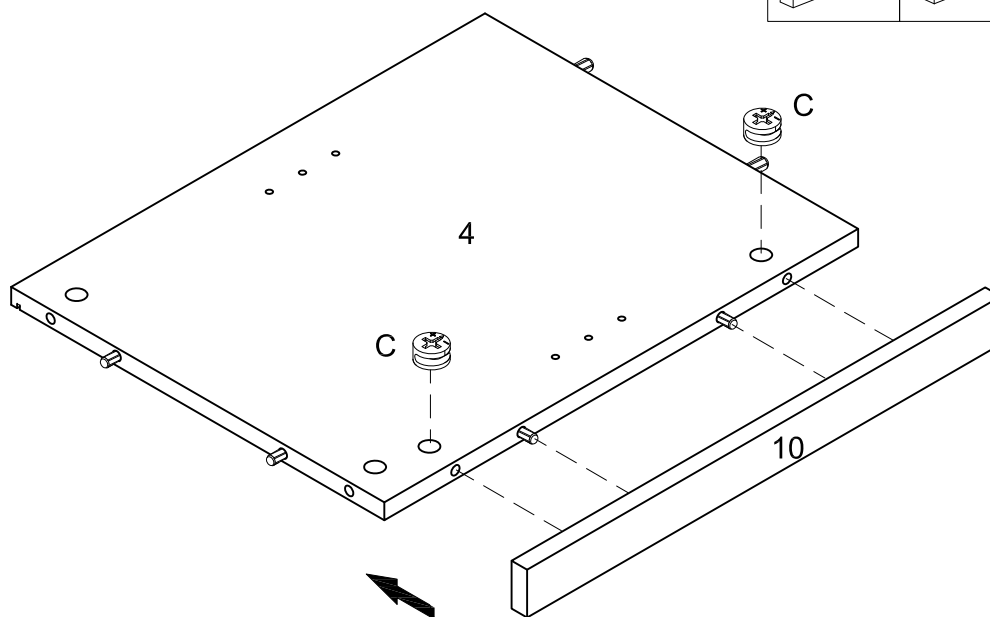
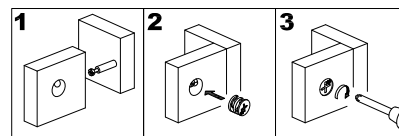
Insert cam bolt (D) to part (6,7,8,9). Insert wooden dowel (B) into part (6,7,8,9).

Step 4



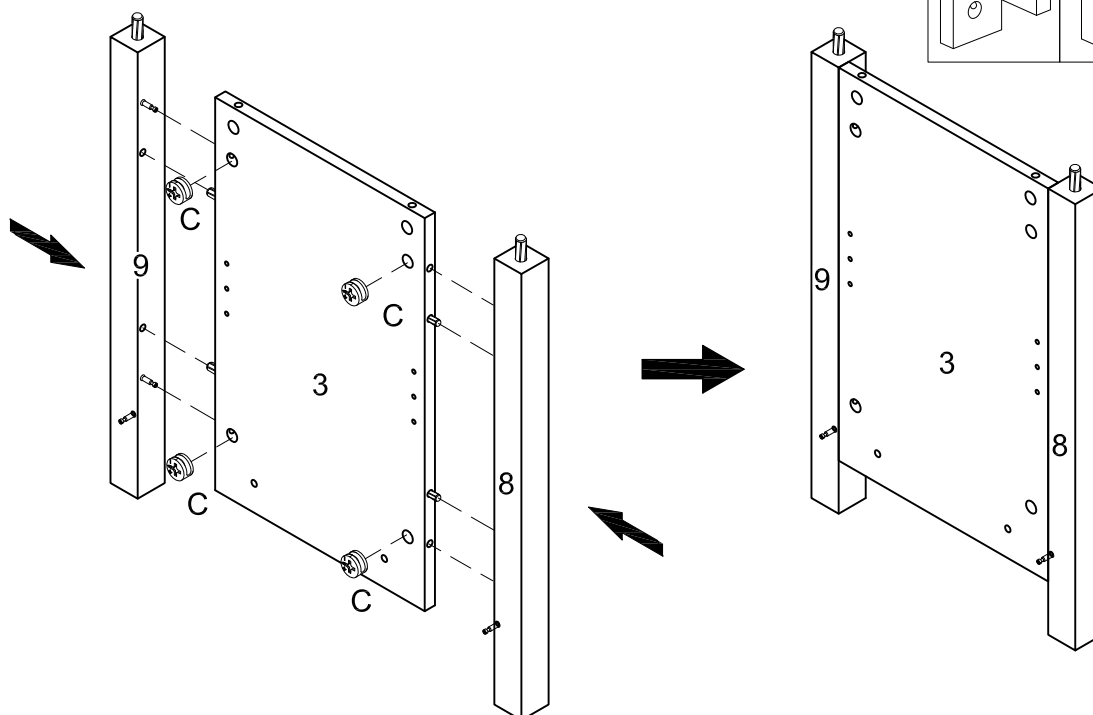
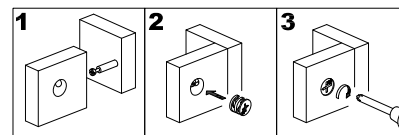
Attach part (14) to part (2) with screw (T) with screwdriver. Attach foot part (15) to part (2) using bolt (H) with hex key (S).

Step 5



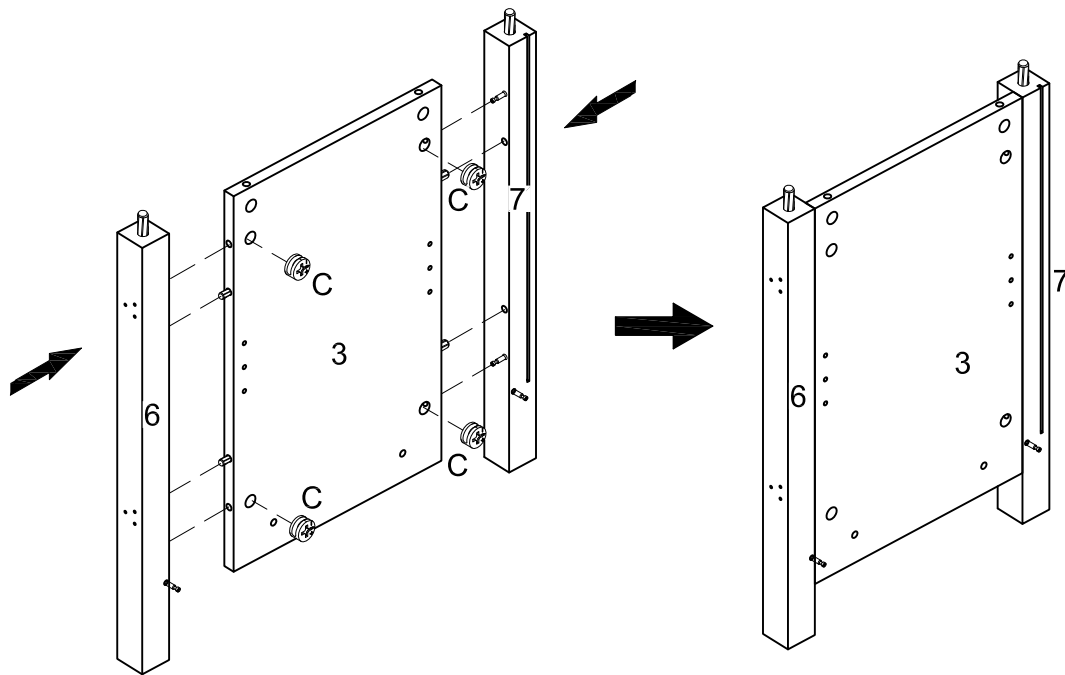
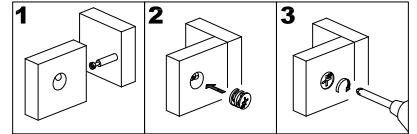
Attach part (10) to part (4), then insert and secure cam lock (C) to part (4) to lock it.

Step 6



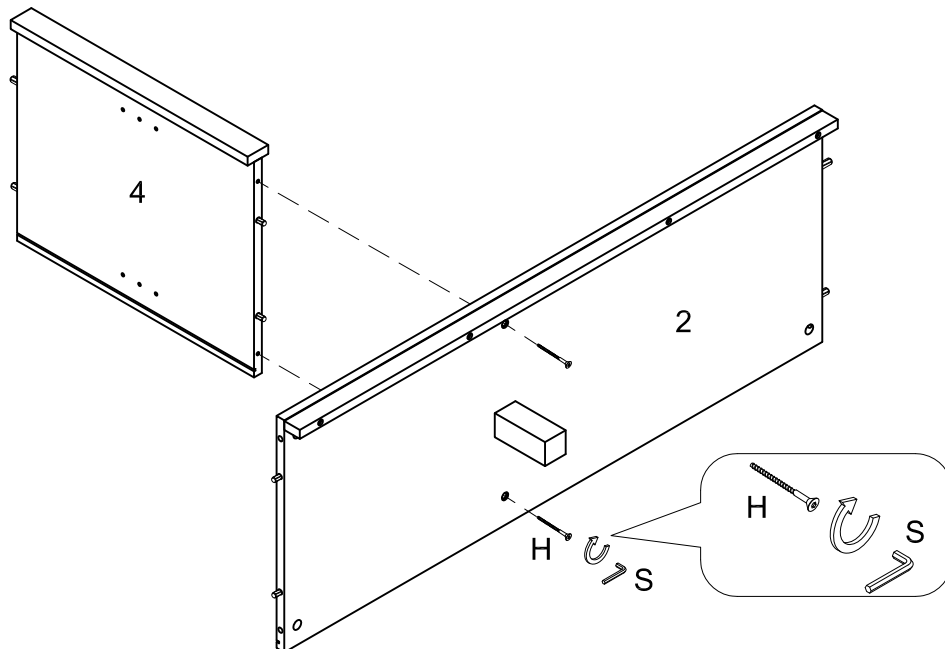
Attach part (8,9) to part (3), then insert and secure cam lock (C) to part (3) to lock it.

Step 7



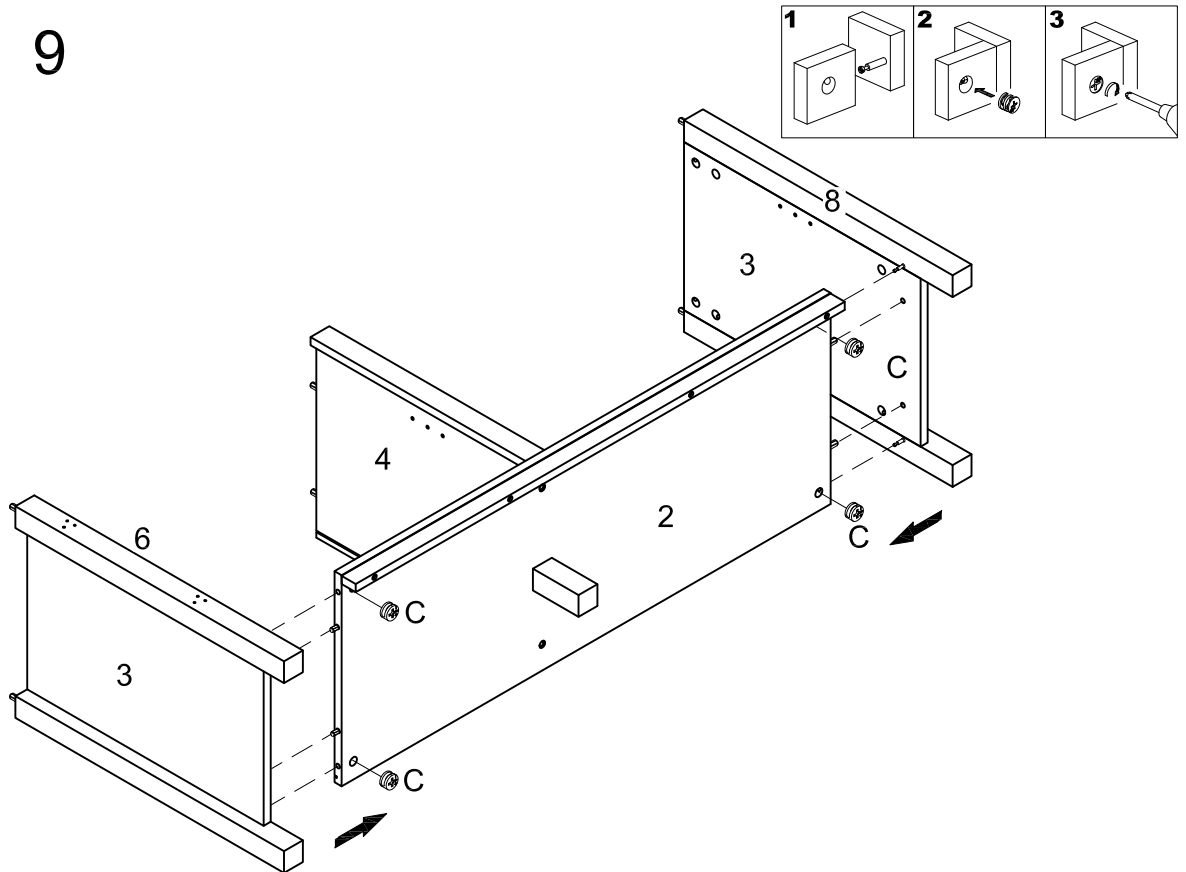
Attach part (6,7) to part (3), then insert and secure cam lock (C) to part (3) to lock it.

Step 8



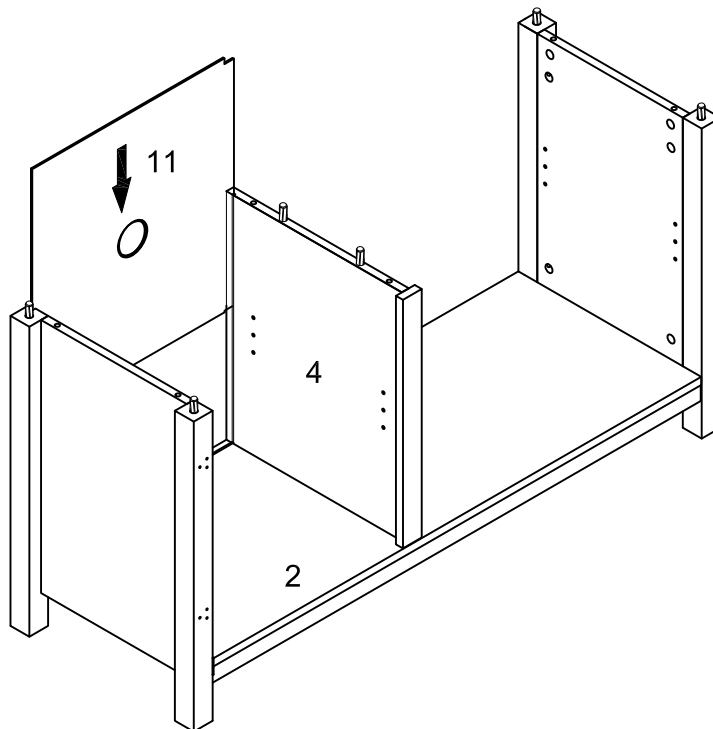
Attach part (4) to part (2) using bolt (H) with hex key (S).

Step 9



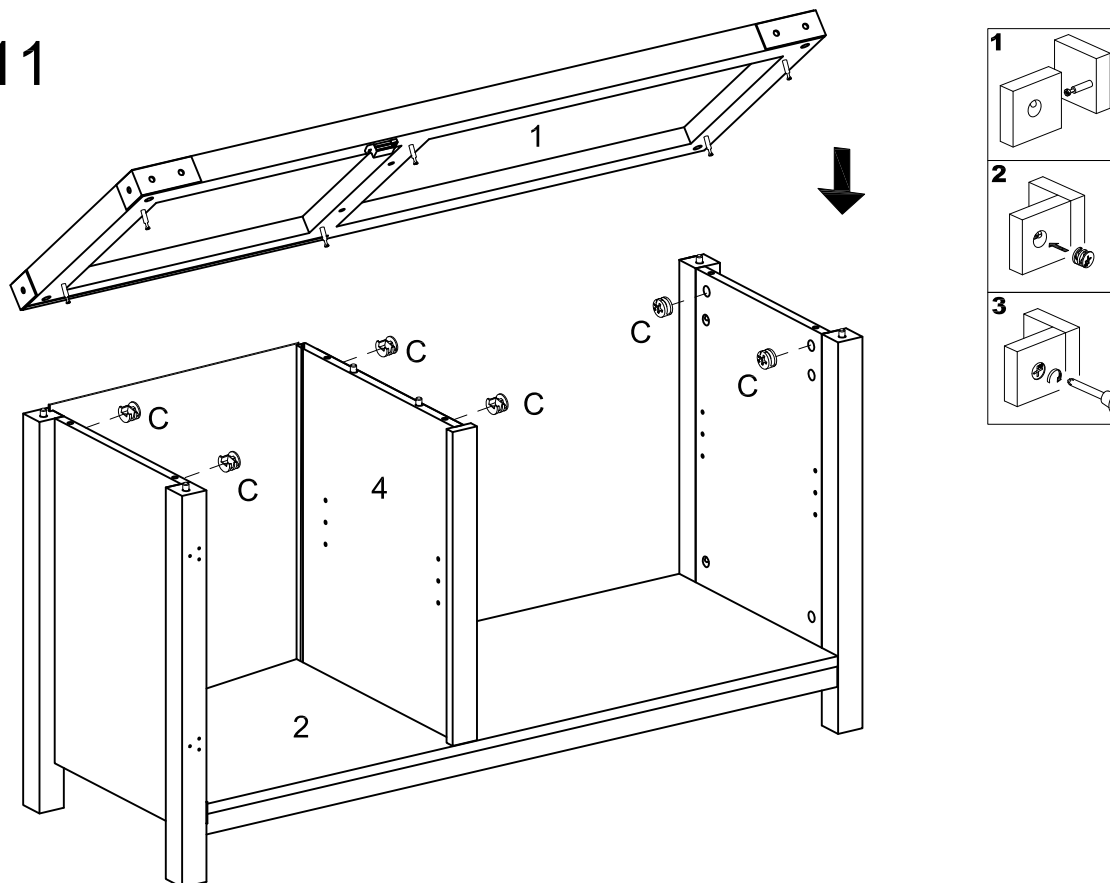
Attach part (3) to part (2), then insert and secure cam lock (C) to part (2) to lock it.

Step 10



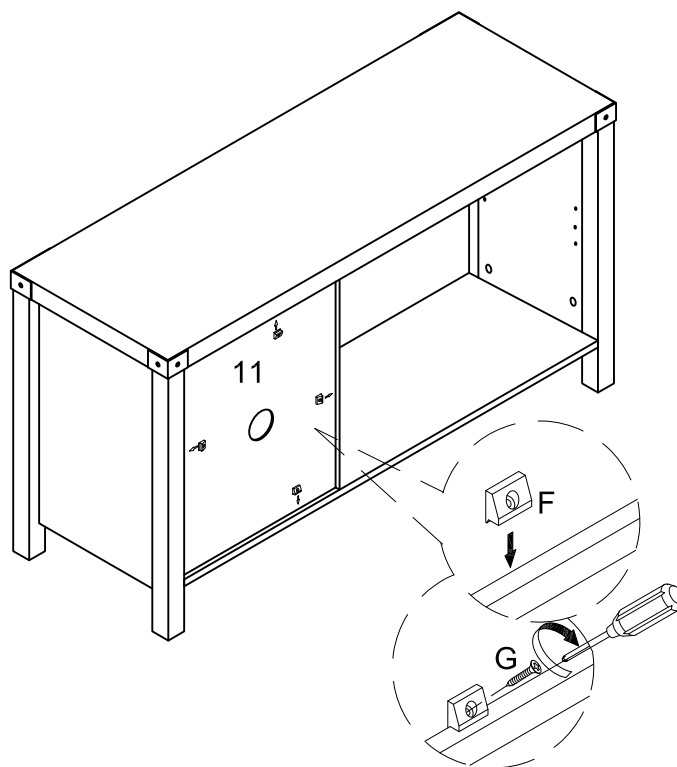
Slide back panel (11) into grooves as per diagram.

Step 11



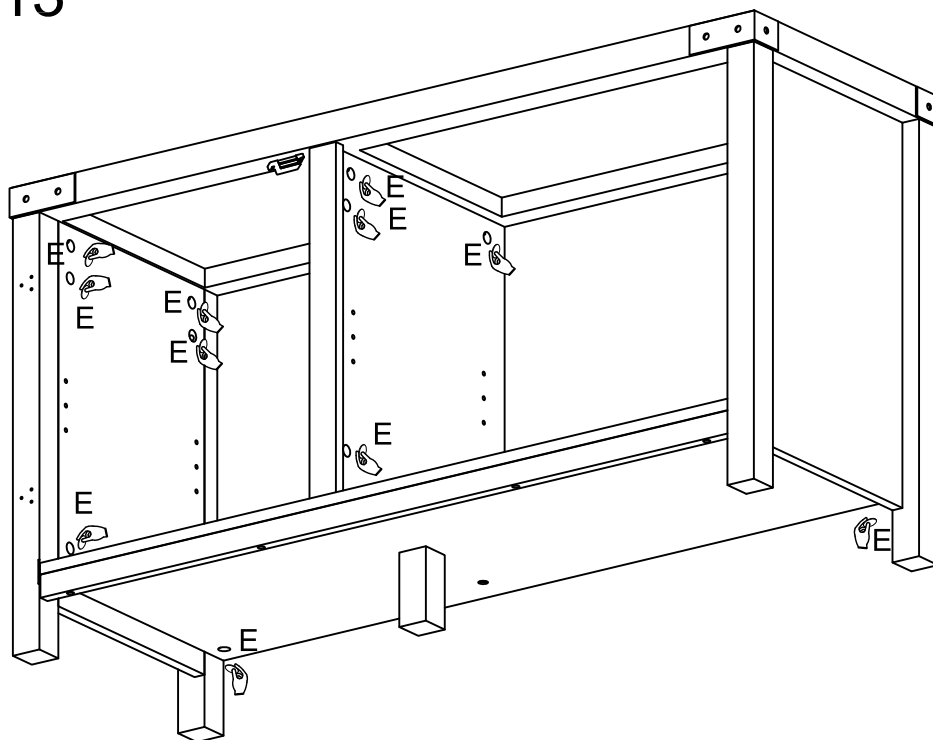
Attach part (1) to part (3,4) then insert and secure cam lock (C) to part (3,4) to lock it.

Step 12



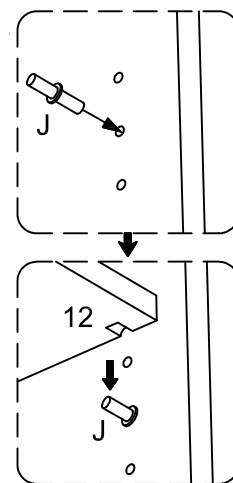
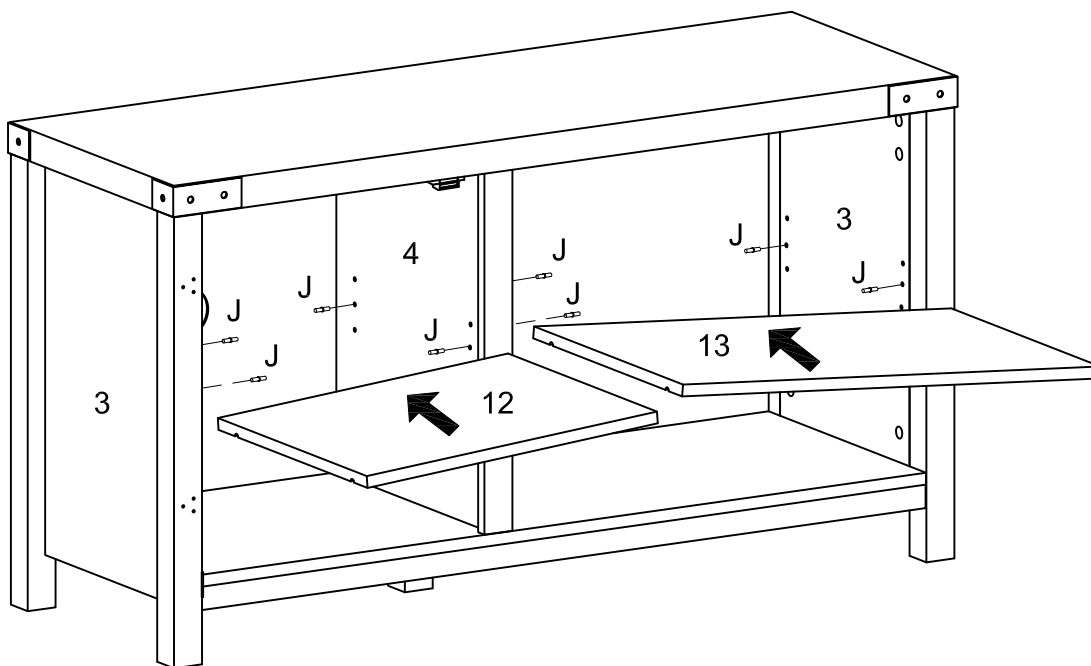
Attach plastic wedge (F) to part (11) using screw (G) with screwdriver.

Step 13



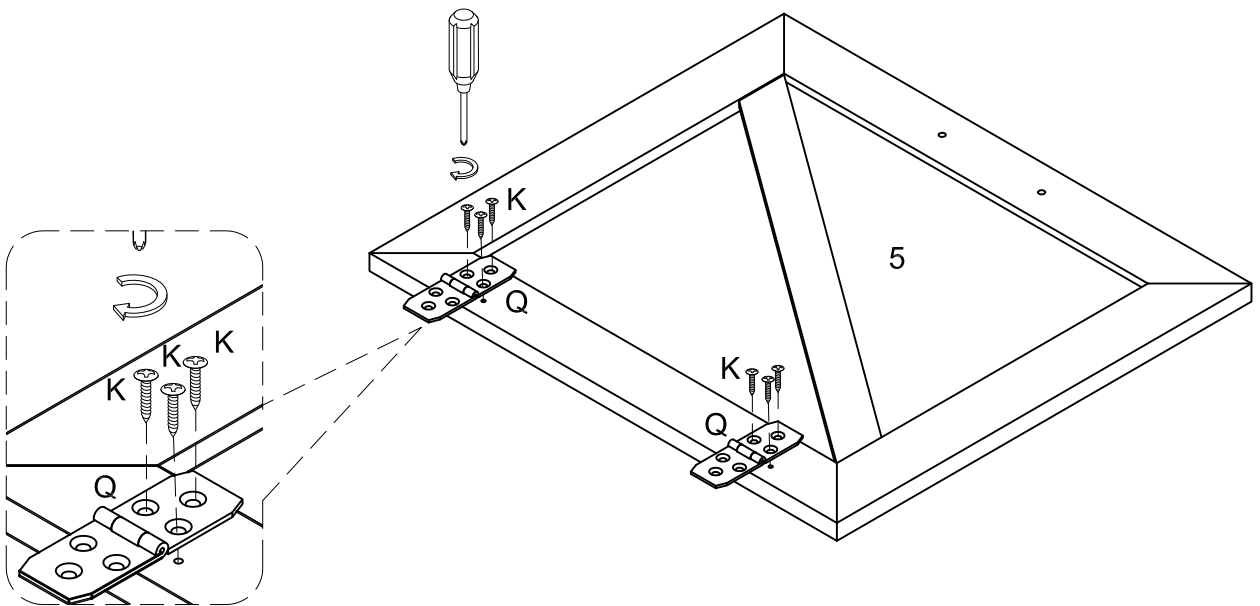
Place sticker (E) over holes as per diagram.

Step 14



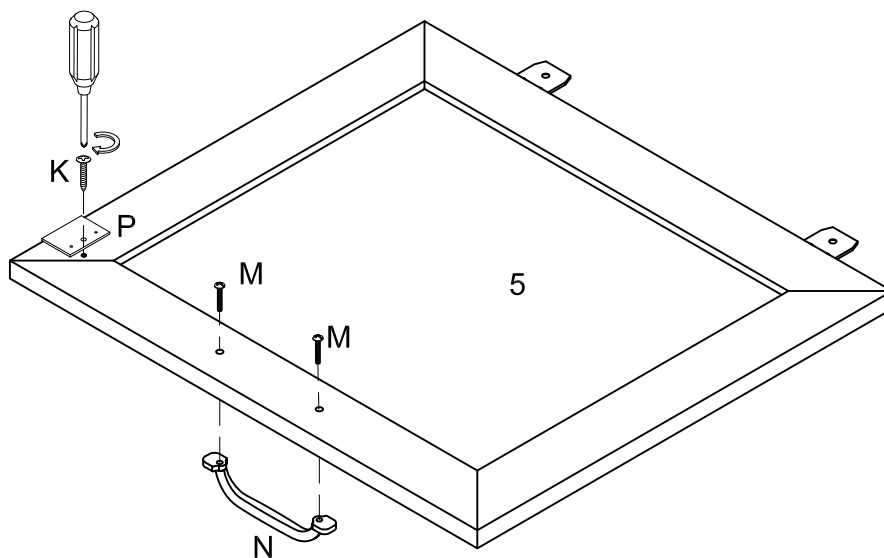
Insert shelf support pin (J) into side panel (3,4), then place shelf (12,13) on top of support pin (J).

Step 15



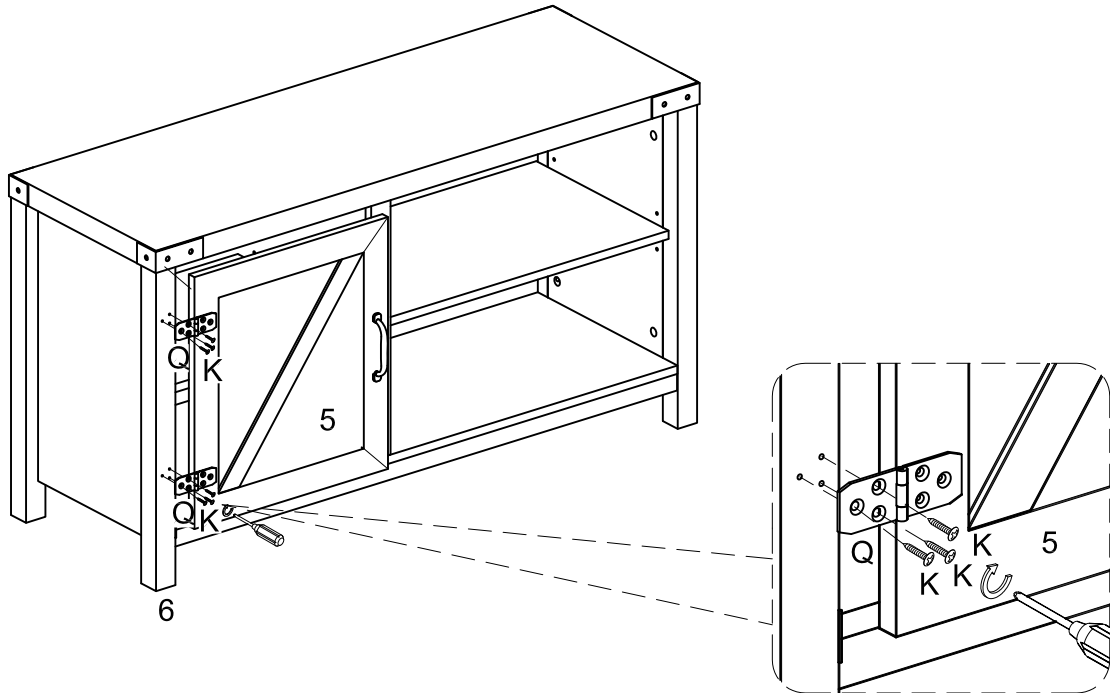
Attach hinge (Q) to part (5) using screw (K) with screwdriver.

Step 16



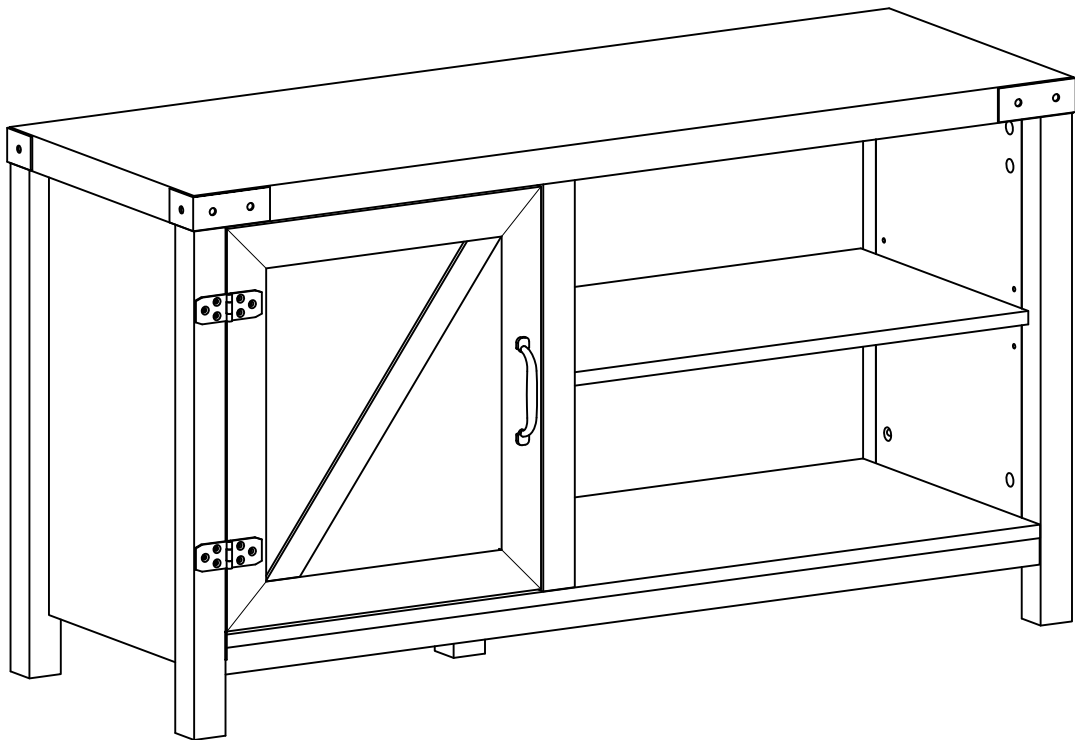
Attach door plate (P) using screw (K), handle (N) using bolt (M) to part (5) with screwdriver.

Step 17



Attach part (5) to part (6) to secure hinge (Q) using screw (K) with screwdriver.

Step 18



Final Assembly