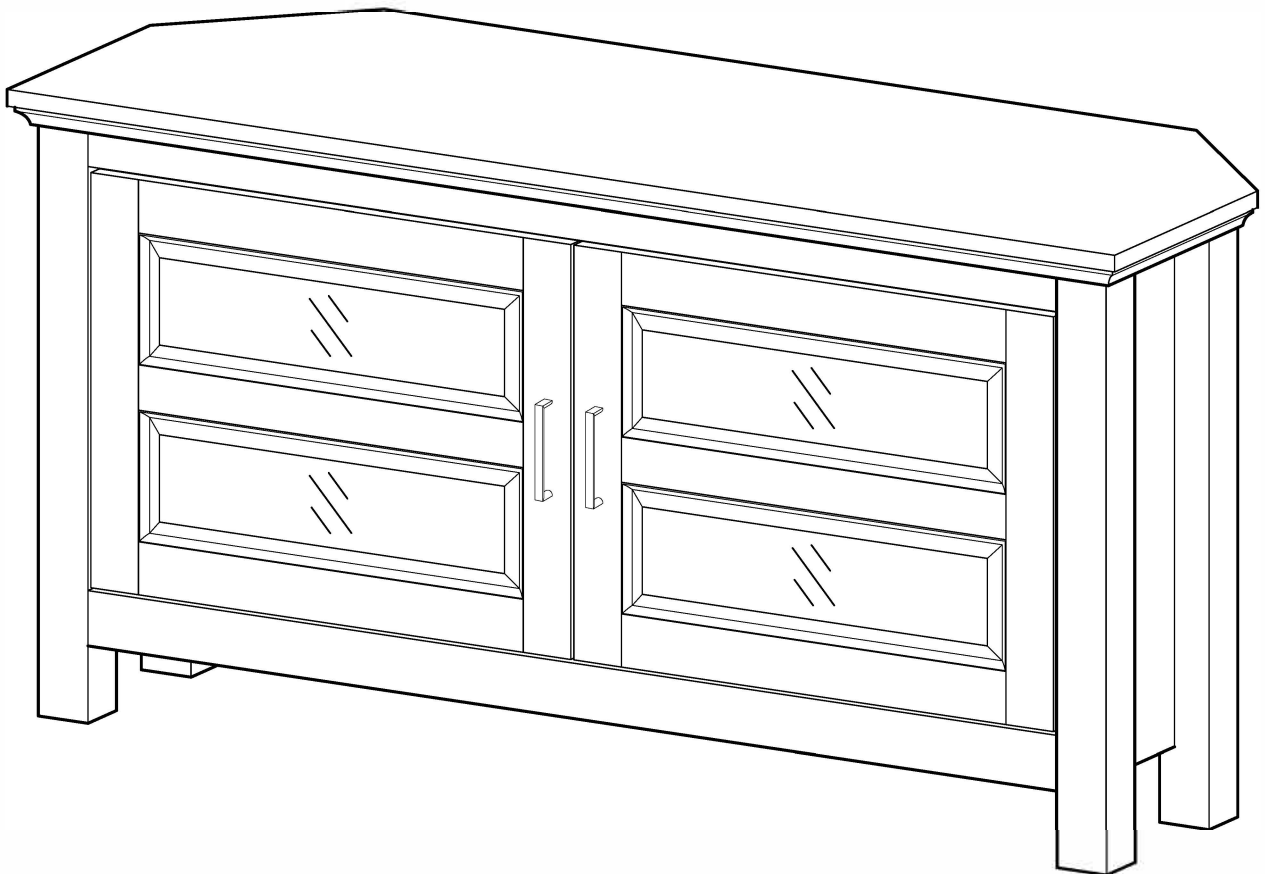


ITEM # : WQ44CCR  
Assembly Instructions

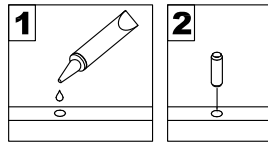


*Please visit our website for the most current instructions, assembly tips, report damage, or request parts. [www.walkeredison.com](http://www.walkeredison.com)*

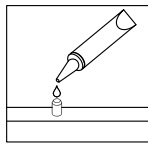
Revised 01/2018

# General Assembly Guidelines

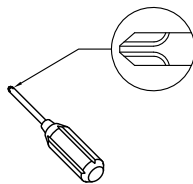
- I. Ensure that all parts and hardware are available before beginning assembly.
- II. Follow each step carefully to ensure the proper assembly of this product.
- III. Two people are recommended for ease in the assembly of this product.
- IV. The three main types of hardware used to assemble this product are : wood dowels , screws and bolts.
- V. The provided glue is to secure wood dowels in place . When first inserting dowels , locate the appropriate hole for the dowel , place a small amount of glue in the hole and insert the dowel . Wipe away excess glue immediately.



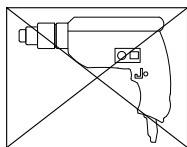
In future assembly steps when dowels are necessary to attach assembly parts together , place a small amount of glue on the end of the dowel before attaching parts together . Wipe away excess glue immediately.



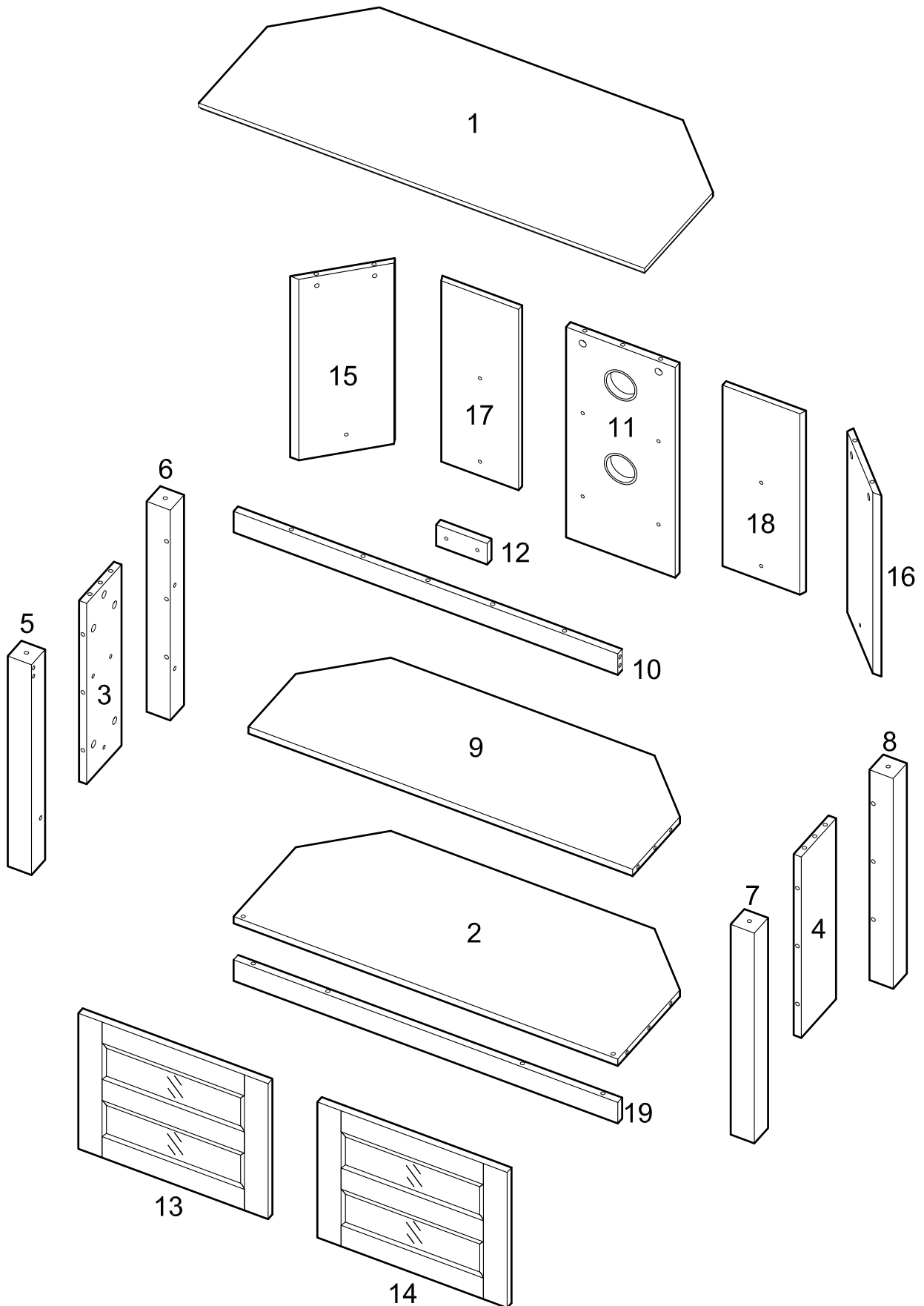
- VI. A Phillips head screwdriver is required for the assembly of this product .







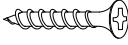


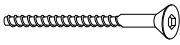

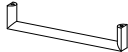

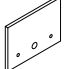
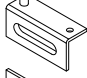
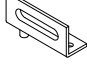





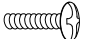
- VI. Power tools should not be used to assemble this product .

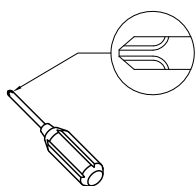


# Parts List



# Hardware List

A		Ø8x30mm	Wooden dowel	24 pcs
B		Ø8x30mm	Cam bolt	31 pcs
C		Ø15x12mm	Cam lock	27 pcs
D		Ø15x9mm	Cam lock	4 pcs
E		Ø4x30mm	Screw	2 pcs
F			Door stopper	1 pc
G		Ø3x15mm	Screw	2 pcs
H		Ø6x50mm	Screw	10 pcs
J		Ø3x12mm	Screw	10 pcs
K		134x25x12mm	Handle	2 pcs
L		Ø5/32x22mm	Handle bolt	4 pcs
M		30x20mm	Metal piece	2 pcs
N		40x15.5x15mm	Door Hinge	2 pcs
P		40x15.5x15mm	Door Hinge	2 pcs
Q		Ø9.5x12mm	Plastic pivot	4 pcs
R		Ø4mm	Wrench	1 pc
S			Glue tube	2 pcs
T		Ø30mm	Sticker	41 pcs
U		Ø4x45mm	Knob	2 pcs
V		Ø4x19mm	Knob bolt	2 pcs



Philips head screwdriver required for assembly  
(not included)

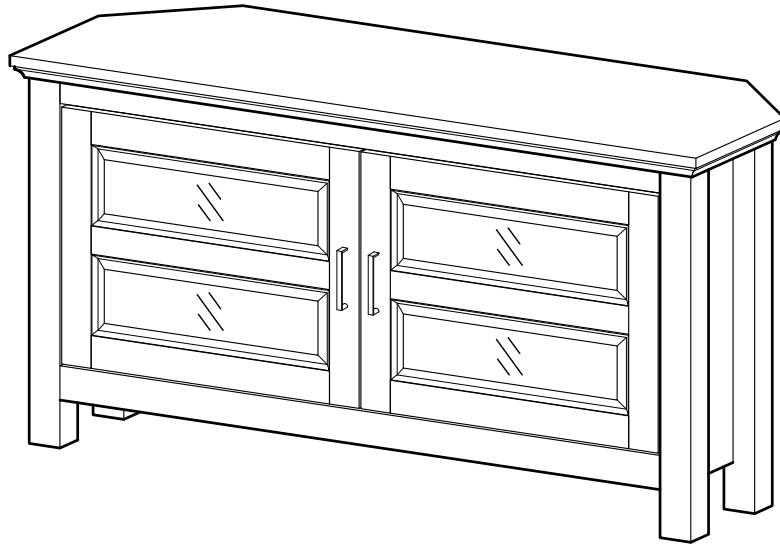
*The hardware quantities listed above are required for proper assembly.  
Some extra hardware may also have been included.*

*Color options may come with handles or knobs ,but not both.*

# TWO ASSEMBLY OPTIONS

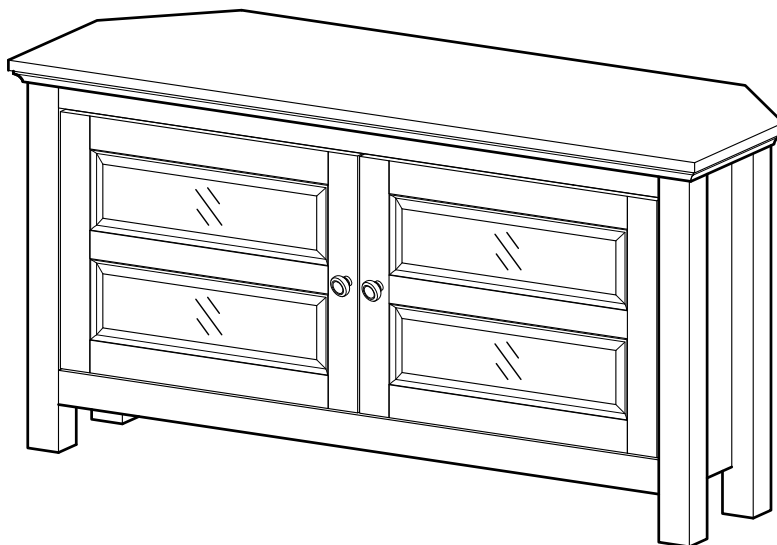
## Style1

(The handle )

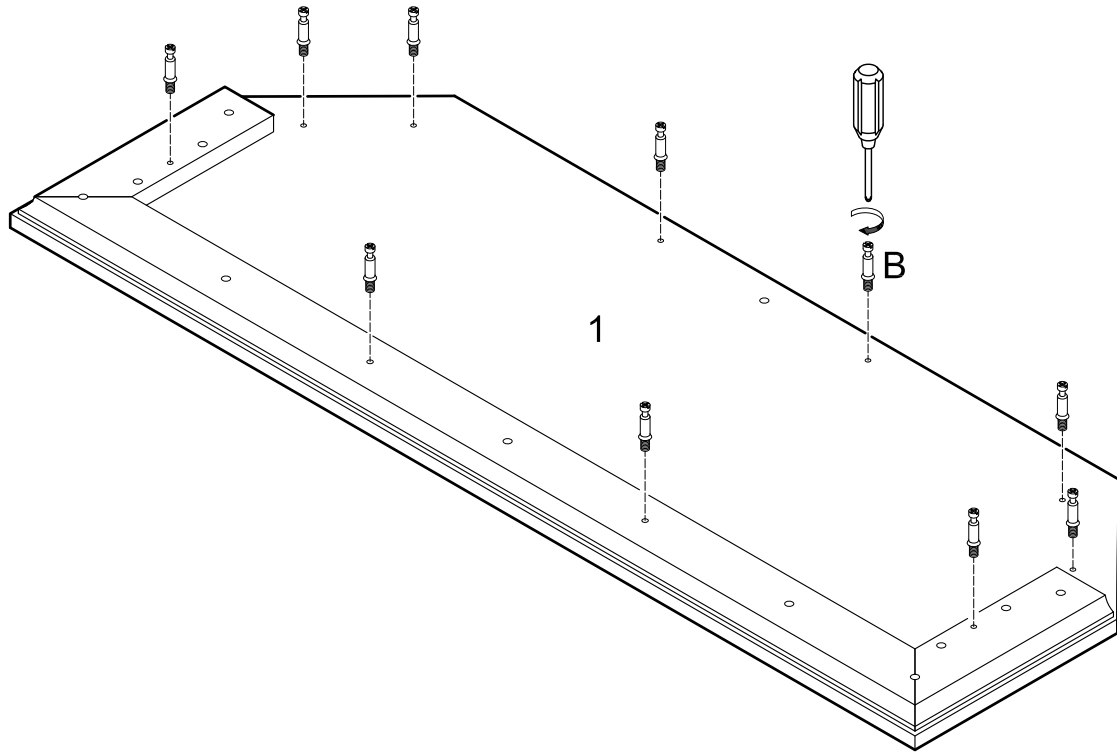


## Style2

(The knob )

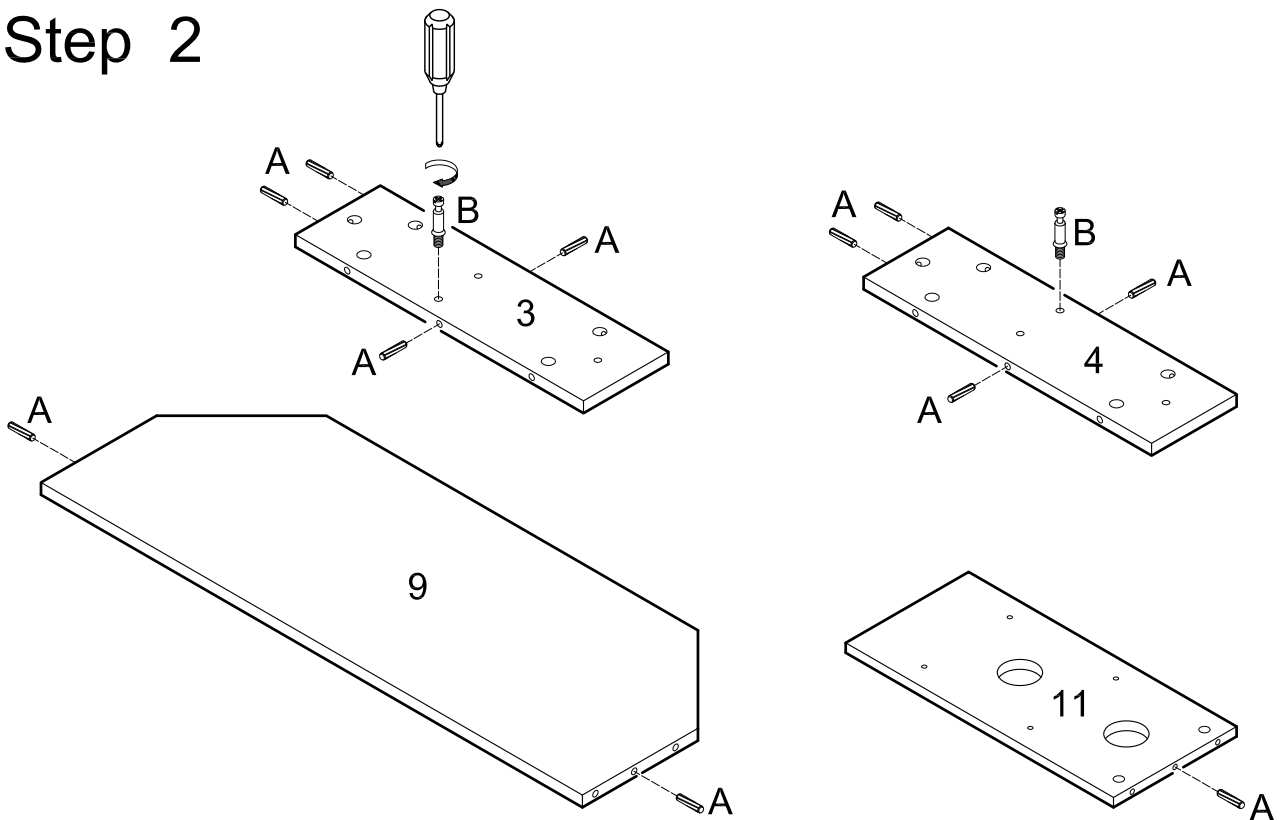


# Step 1



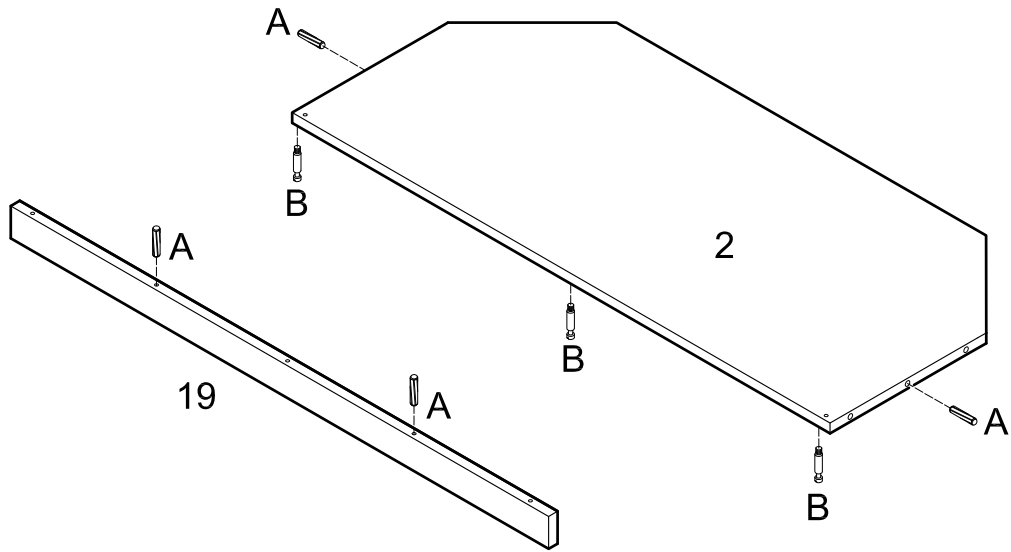
Screw cam bolts (B) into stand top (1).

# Step 2



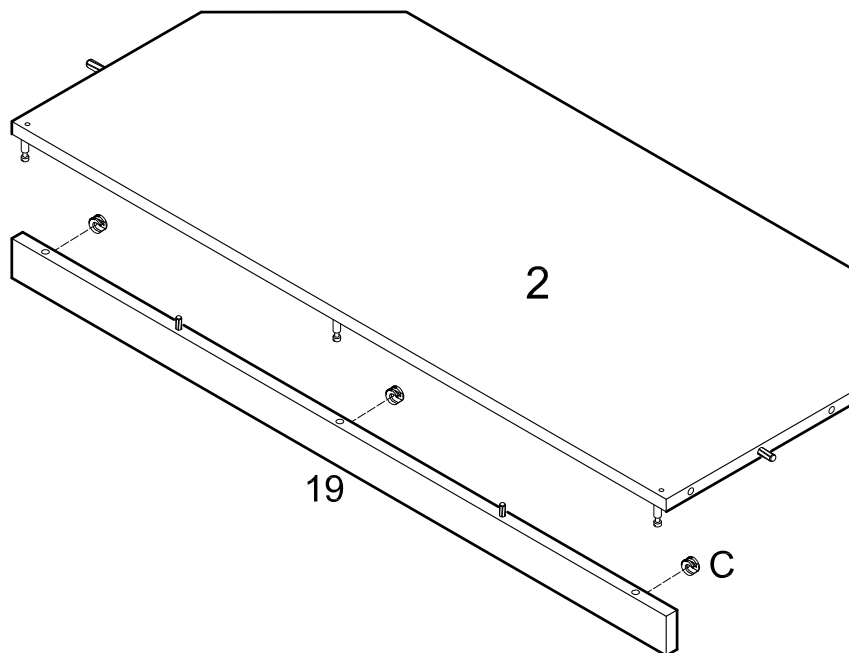
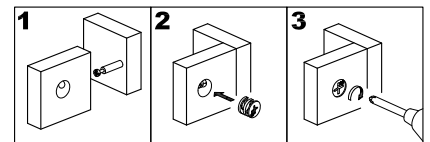
Insert dowels (A) into shelf (9), panels (3,4) and back panel (11). Screw cam bolts (B) into panels (3,4).

## Step 3



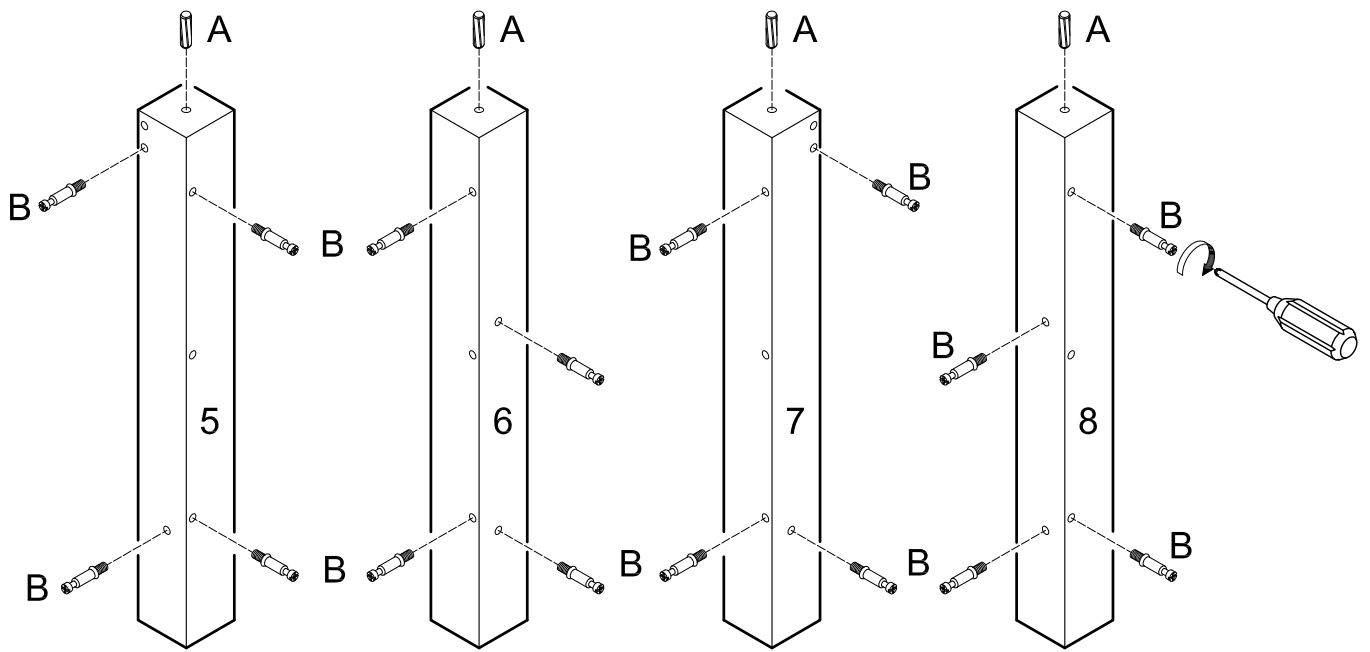
Screw cam bolts (B) into panel (2). Insert dowels (A) into panel (2) and slat (19).

## Step 4



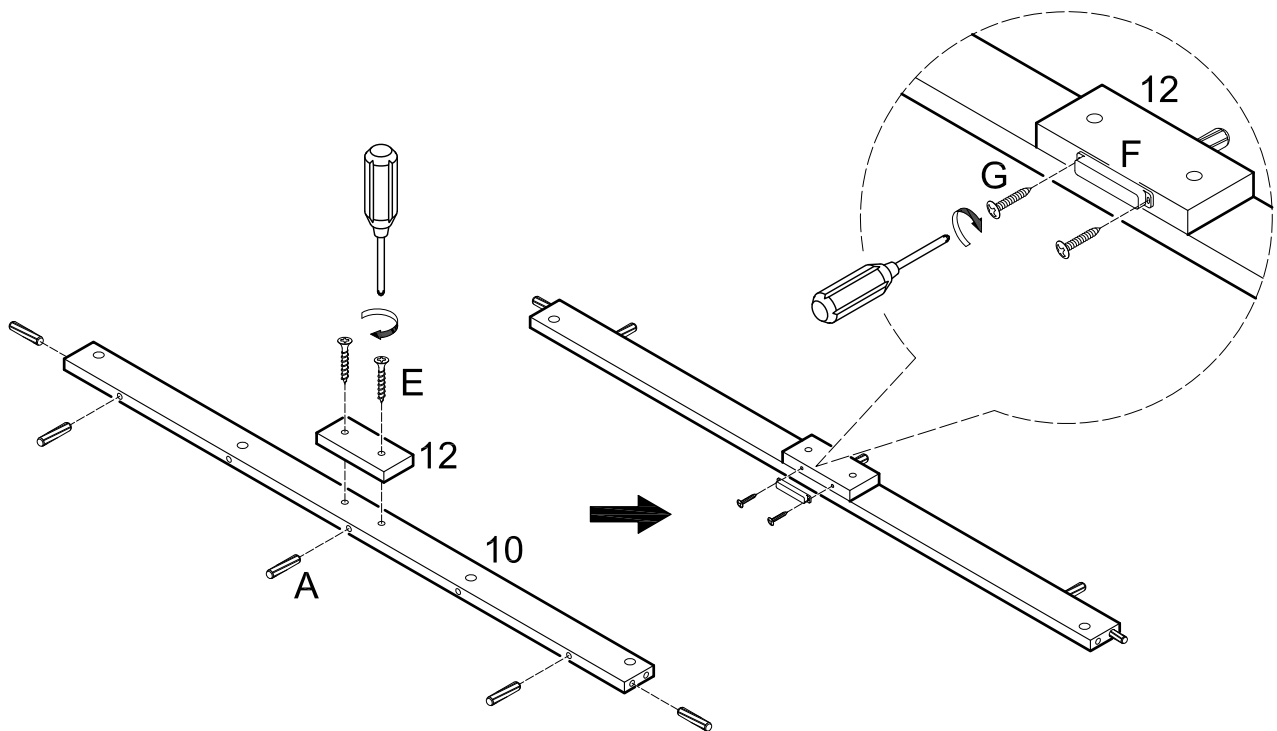
Attach slat (19) to panel (2) using cam bolts and dowels as guides. Insert cam locks (C) into slat (19) and tighten with a screwdriver.

## Step 5



Insert dowels (A) into legs (5,6,7,8). Screw cam bolts (B) into legs (5,6,7,8).

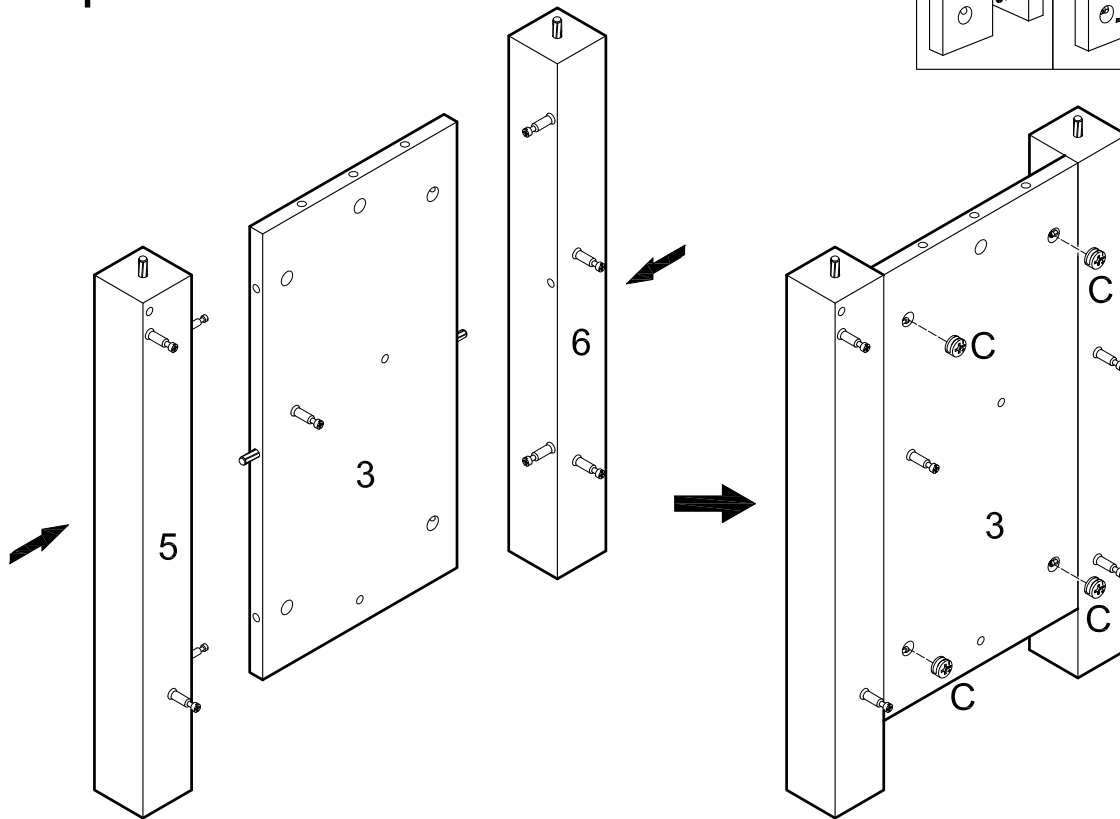
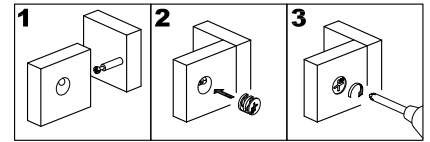
## Step 6



Insert dowels (A) into slat (10). Attach slat (12) to slat (10) using screws (E). Attach door stopper (F) to slat (12) using screws (G).

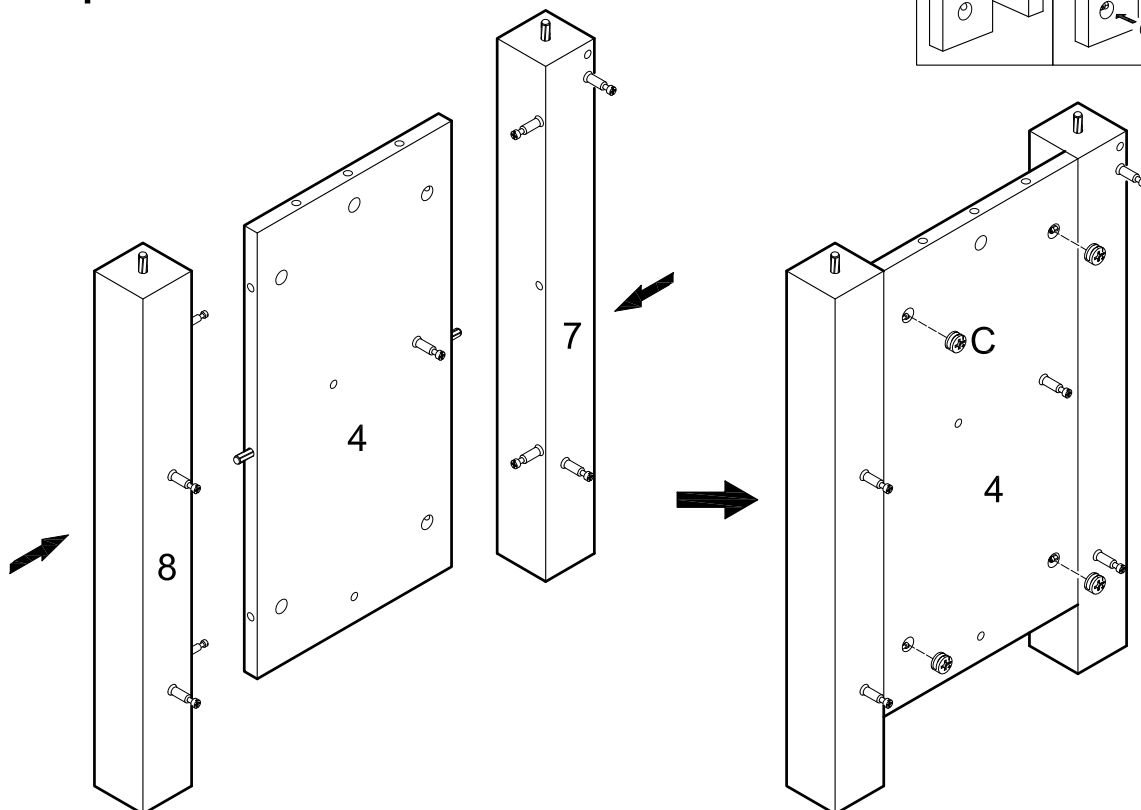
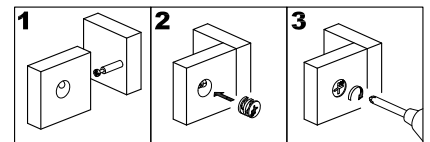


# Step 7



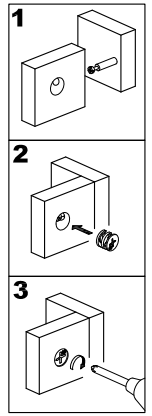
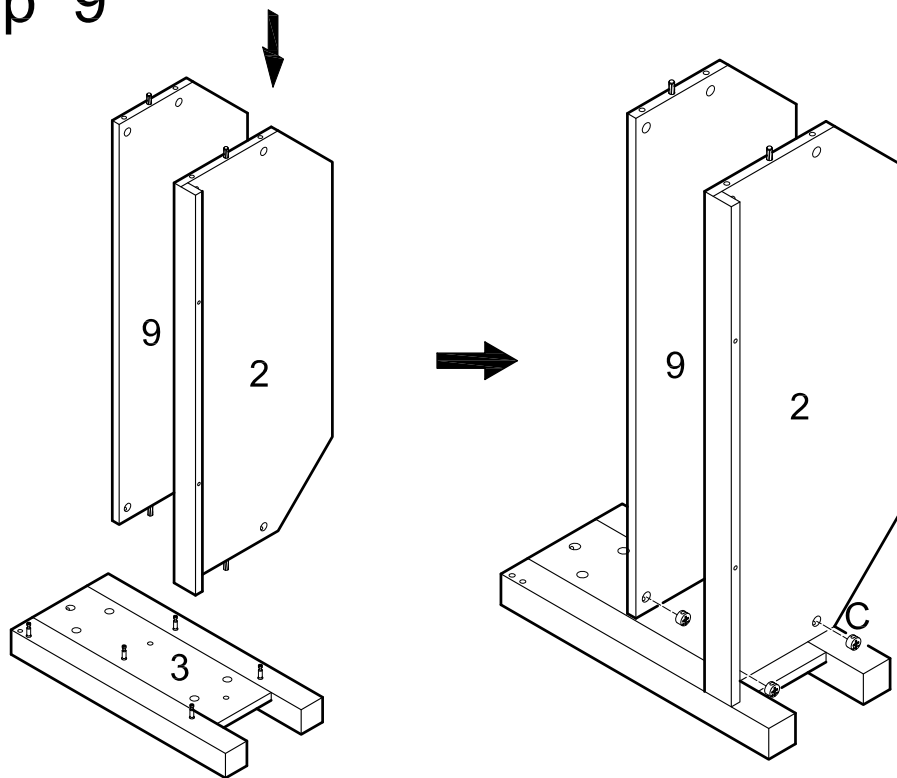
Attach legs (5,6) to panel (3) using cam bolts and dowels as guides. Insert cam locks (C) into panel (3) and tighten with a screwdriver.

# Step 8



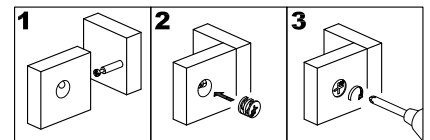
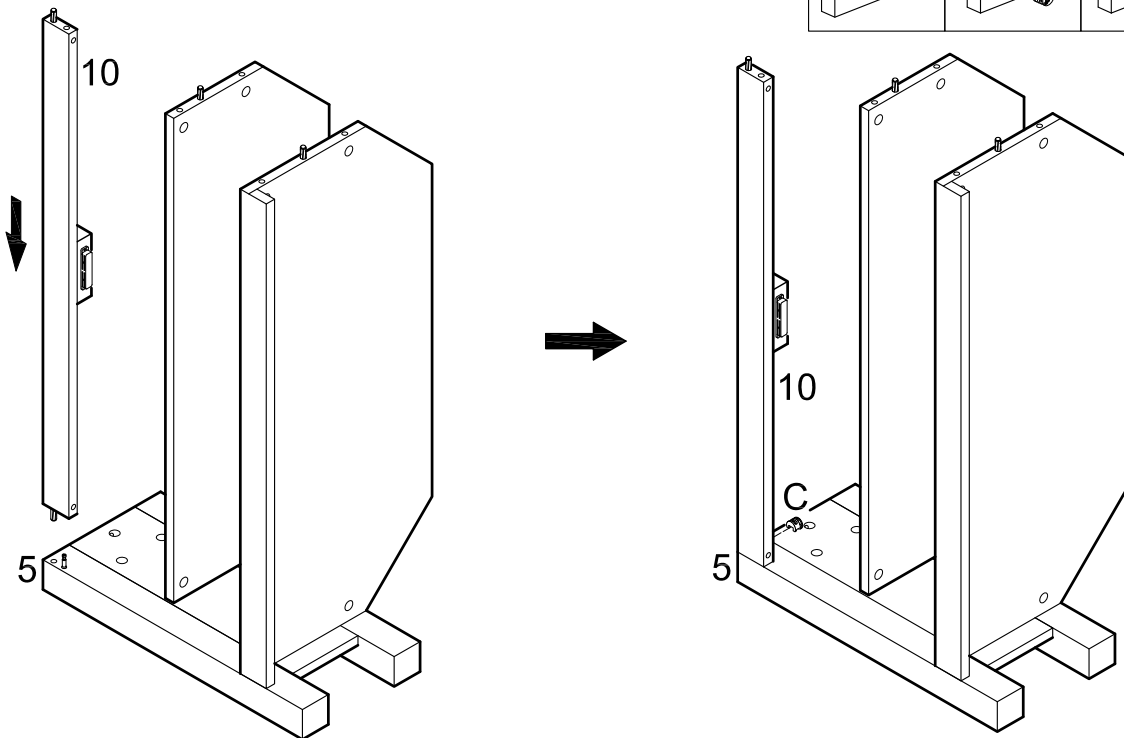
Attach legs (7,8) to panel (4) using cam bolts and dowels as guides. Insert cam locks (C) into panel (4) and tighten with a screwdriver.

## Step 9



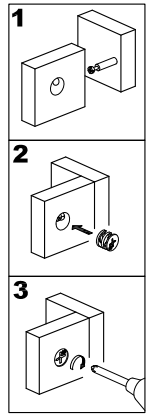
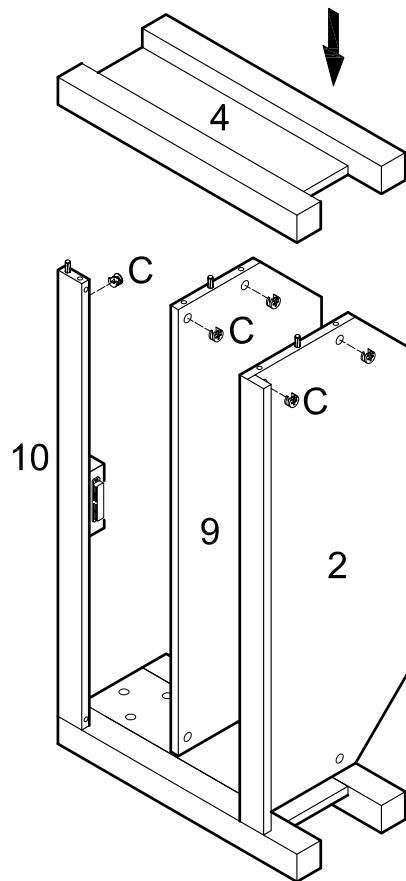
Attach panel (2) and shelf (9) to panel (3) using cam bolts and dowels as guides. Insert cam locks (C) into panel (2) and shelf (9) and tighten with a screwdriver. Two cam locks (C) will be inserted into panel (2) and into shelf (9).

## Step 10



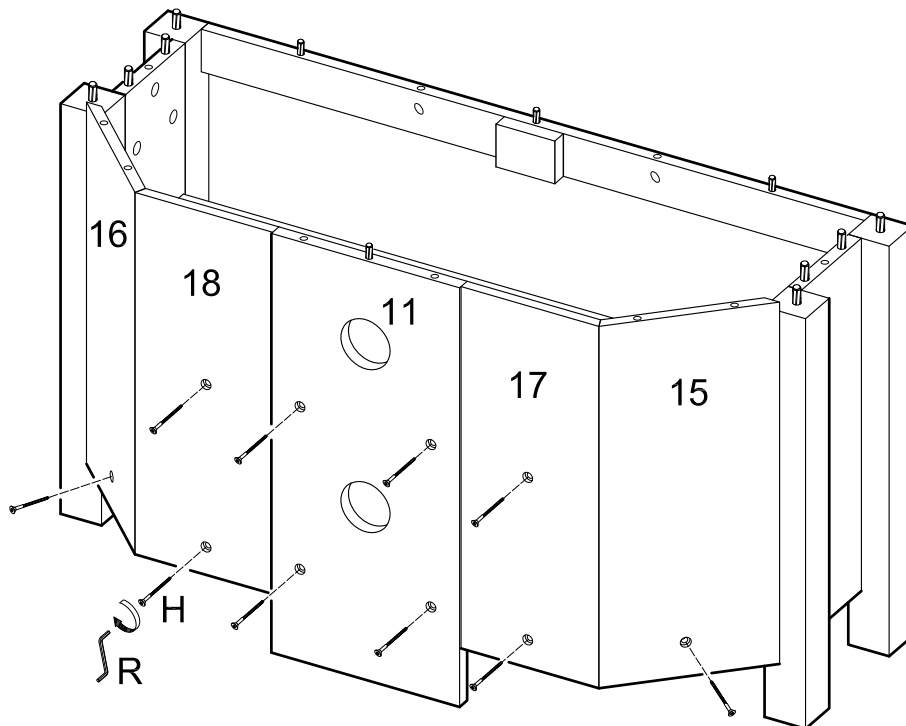
Attach slat (10) to leg (5) using cam bolt and dowel as guides. Insert cam lock (C) into slat (10) and tighten with a screwdriver.

## Step 11



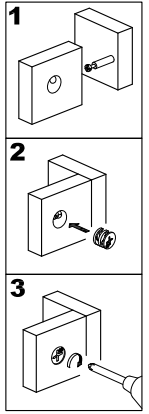
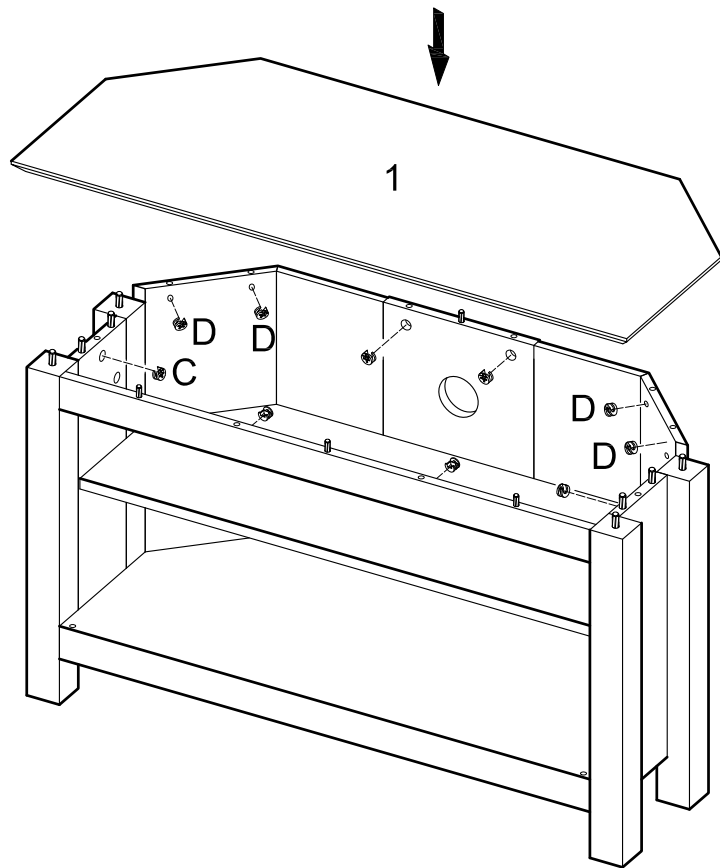
Insert cam locks (C) into panel (2), shelf (9) and slat (10). Attach panel (4) to panel (2), shelf (9) and slat (10) using cam bolts and dowels as guides. Tighten cam locks (C) with a screwdriver.

## Step 12



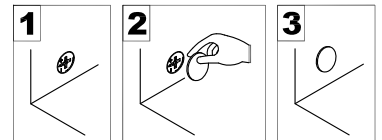
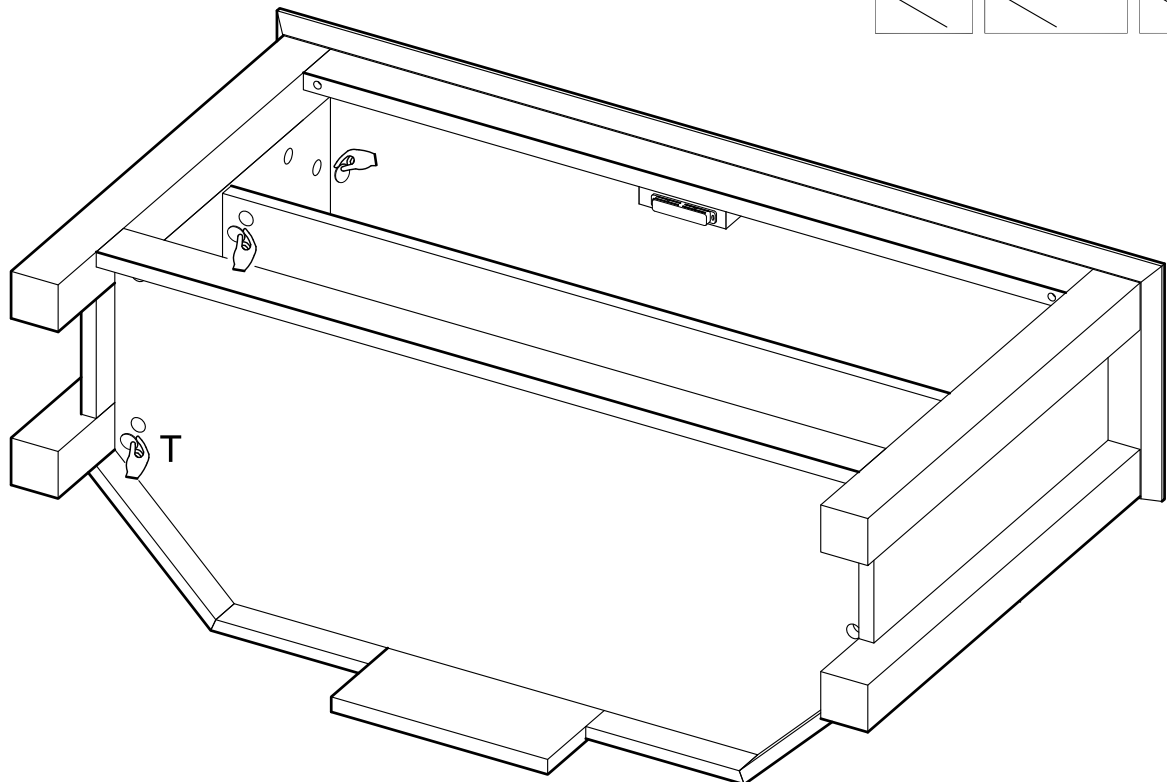
Attach back panels (11,15,16,17,18) to the frame assembly using bolts (H). Tighten bolts (H) with wrench (R). Bolts (H) will screw through back panels (11,15,16,17,18) and into either panel (2) or shelf (9).

## Step 13



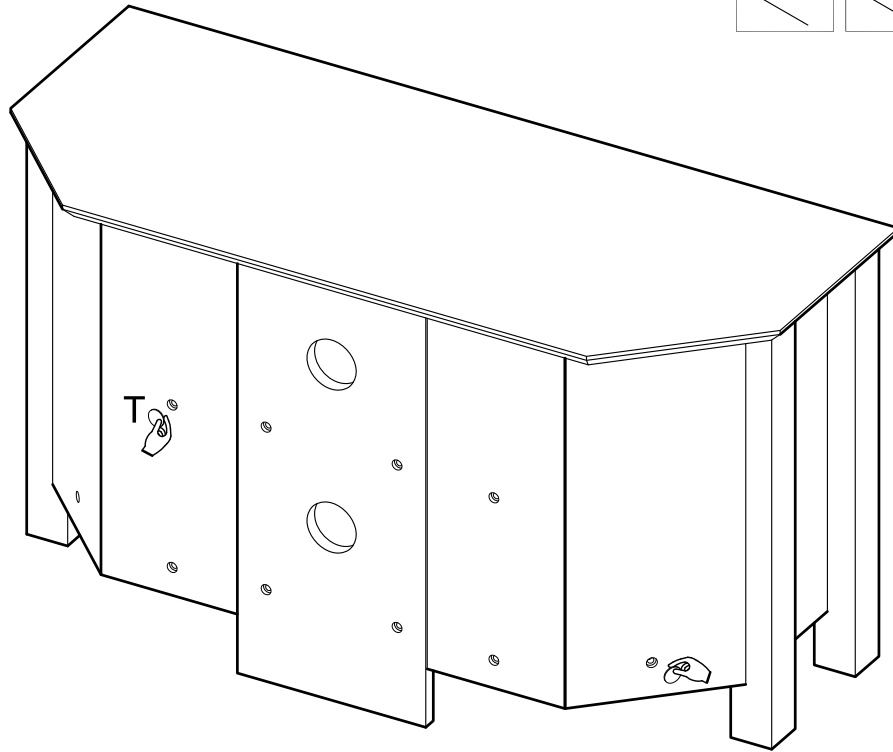
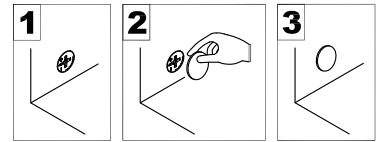
Insert cam locks (C,D) into the frame assembly. Attach stand top (1) to the frame assembly using cam bolts and dowels as guides. Tighten cam locks (C,D) with a screwdriver.

## Step 14



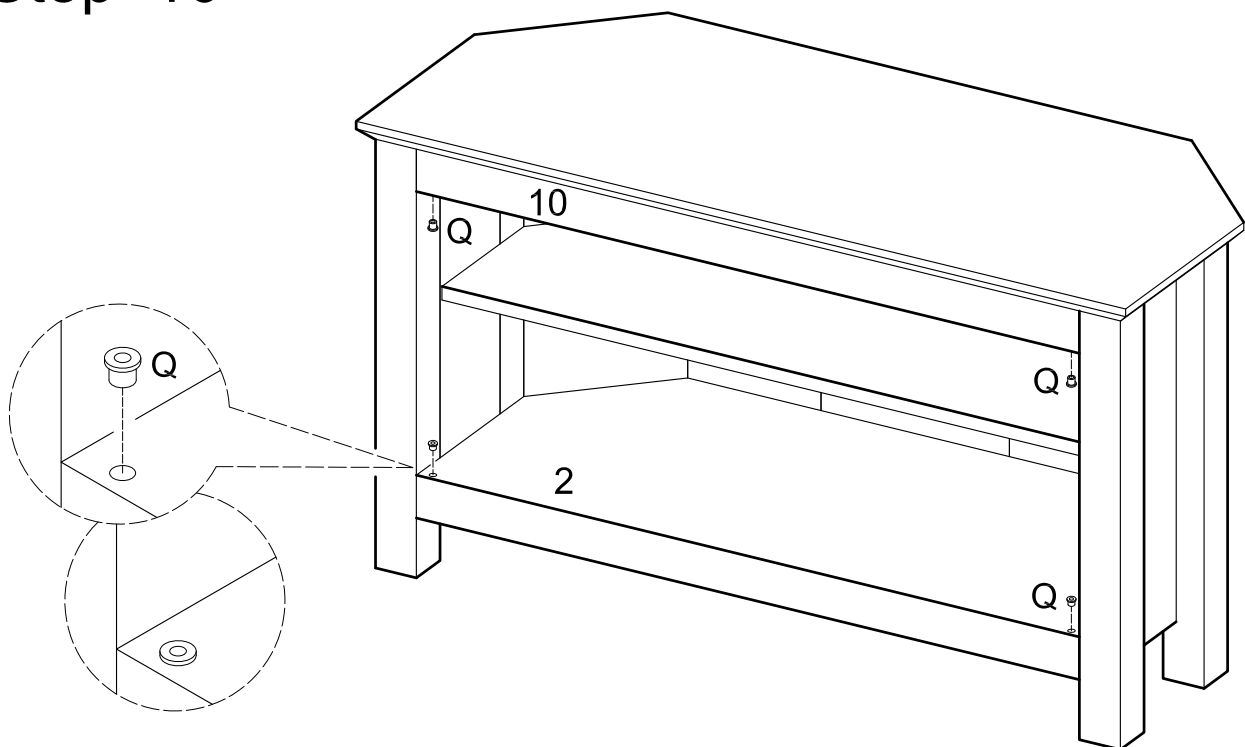
Cover all visible cam locks with stickers (T) as desired.

## Step 15



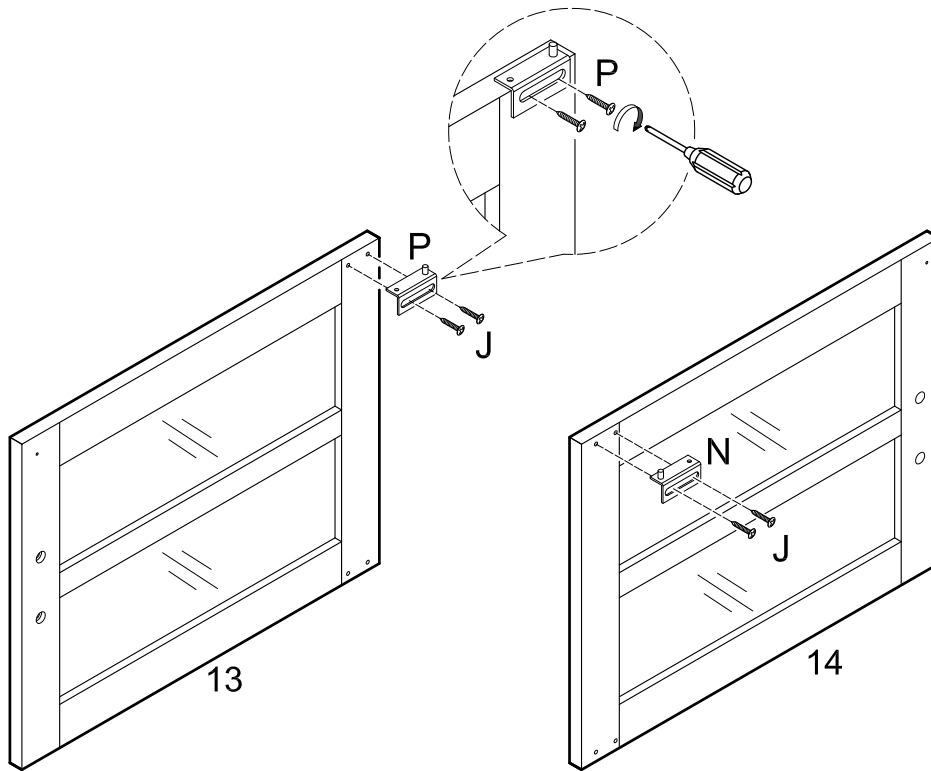
Cover all visible bolts with stickers (T) as desired.

## Step 16



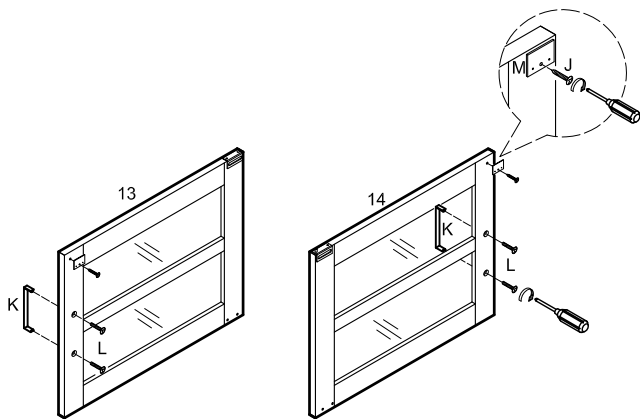
Insert plastic pivots (Q) into panel (2) and slat (10).

# Step 17



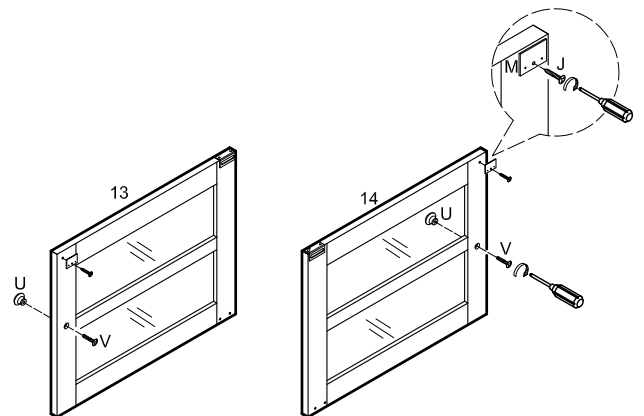
Attach door hinge (P) to door (13) using screws (J). Attach door hinge (N) to door (14) using screws (J).

# Step 18 Handles



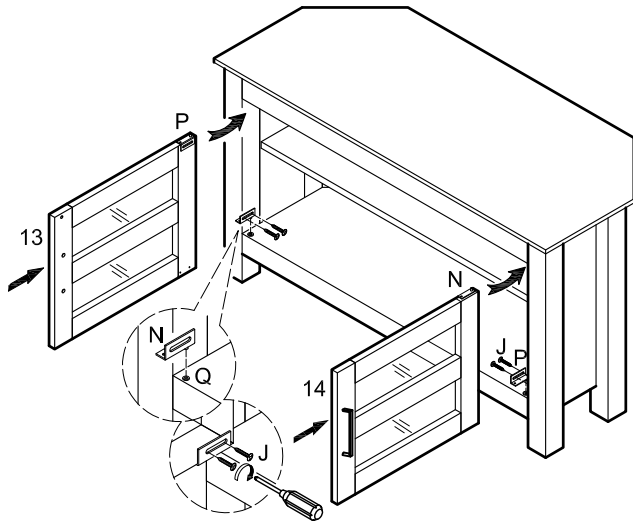
Attach handles (K) to doors (13,14) using handle bolts (L). Attach door stopper plates (M) to doors (13,14) using screws (J).

# Step 18 Knob

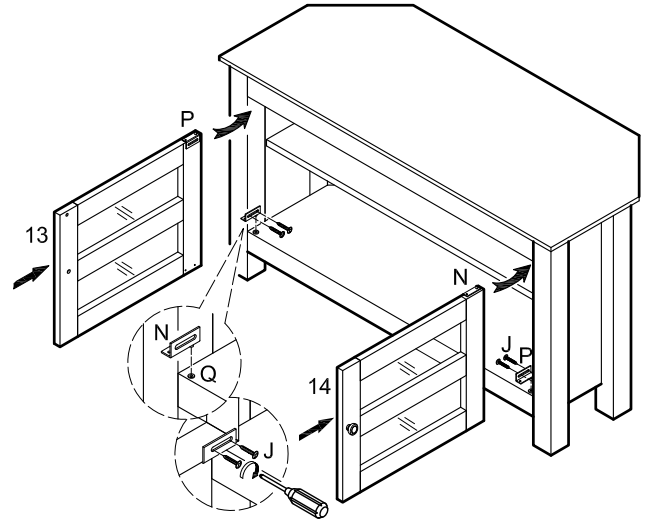


Attach handles (U) to doors (13,14) using handle bolts (V). Attach door stopper plates (M) to doors (13,14) using screws (J).

## Step 19 Handles

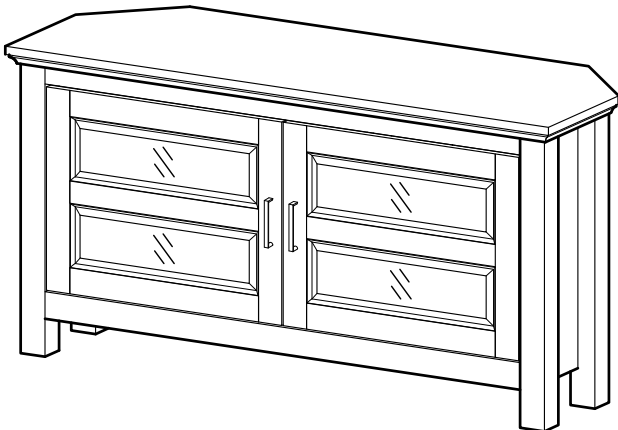


## Step 19 Knob

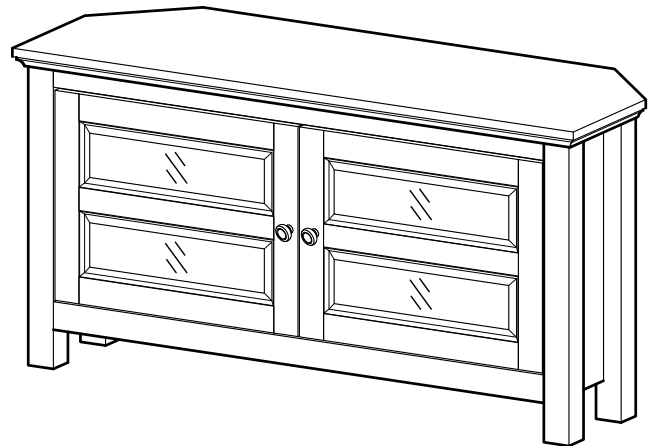


Insert door hinge (N) into bottom left plastic pivot (Q). Slide door (13) into place, inserting flange of door hinge (P) into top left plastic pivot (Q). Secure door hinge (N) to door (13) using screws (J). Insert door hinge (P) into bottom right plastic pivot (Q). Slide door (14) into place, inserting flange of door hinge (N) into top right plastic pivot (Q). Secure door hinge (P) to door (14) using screws (J).

## Step 20 Handles



## Step 20 Knob



## Final Assembly